

MITSUBISHI BLUETOOTH HANDS FREE MODULE
MITSUBISHI P/N: 8785A015



1872721XXXXXXXX

U.S. PATENTS: 7,257,426, 7,346,374, 7,349,722 ADDITIONAL PATENTS PENDING

ASM NUMBER: 1872721 REV X S/W REV: X.X.X

e 11

CE0682 N12559

03 3642



R202WW09113311

MODEL MDGMY10 FCC ID: NT8MDGMY10

IC: 3043A-MDGMY10

MADE IN FRANCE
MM/DD/YYYY



TRC

IFETEL

TRA

XXXXXXXXXX

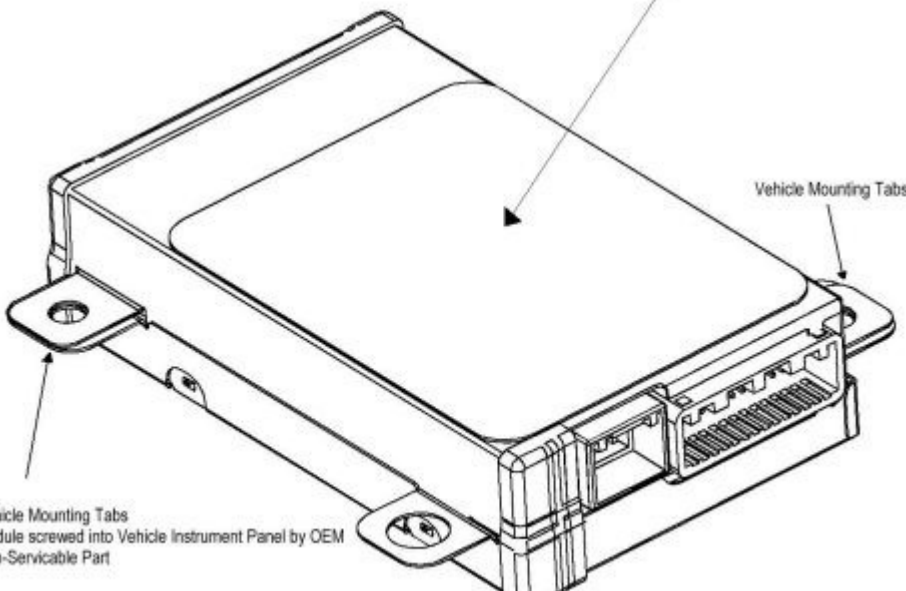
XXXXXXXXXX

REGISTERED No: nnnnnn
DEALER No: XXXXXXXXX

VISTEON CORPORATION



BLUETOOTH ADDRESS: XX:XX:XX:XX:XX:XX
BLUETOOTH QD ID TBD



Vehicle Mounting Tabs
Module screwed into Vehicle Instrument Panel by OEM
Non-Servicable Part