



VMVL3.1a Hands-Free Operating Instructions

for
Visteon MACH Voice Link Bluetooth Subsystem
version 3.1a

Version: June 30, 2005

Table of Contents

1.	SUT Setup	3
1.1.	General SUT Description	3
1.2.	Test Setup.....	3
1.2.1.	Setup : Connection	3
2.	VMVL2.1a (HF) Functions.....	4
2.1.	Pairing	4
2.2.	Initiate Outgoing Call from HF	5
2.3.	Initiate Outgoing Call from AG.....	6
2.4.	Terminate Call	6
2.5.	Accept Incoming call	6
2.6.	Reject an incoming call.....	6
2.7.	Transfer Call from HF to AG	6
2.8.	Transfer Call from AG to HF	6
2.9.	Call Waiting	7

1. SUT Setup

1.1. General SUT Description

Product Name: Visteon MACH Voice Link Bluetooth Subsystem version 3.1a

Product ID: VMVL3.1a

1.2. Test Setup

1.2.1. Setup : Connection

Test Setup consists of the VMVL3.1a (HF), Bluetooth antenna, load board, microphone and two powered speakers. Load board includes battery switch, ignition switch, Push-To-Talk (PTT) button and End button. VMVL3.1a connects to the load board's 32way pin connector. Microphone is connected to the load board. Microphone's green wire is connected to MIC_PWR, red wire to MIC IN+ and white wire to MIC IN-. Speaker's audio jack is connected to the load board's AUDOUT connector. System is powered by a 12V DC supply. System may be initialized by flipping BATTERY switch to the ON position followed by flipping the RUN/ACC switch to the ON position. AG device communicates to the VMVL3.1a via the Bluetooth antenna allowing audio to channel through speakers. Bi-directional audio communication is possible by using the attached microphone. Calls can be initiated and transferred through the use of the PTT. Call may be terminated and rejected via the End button.

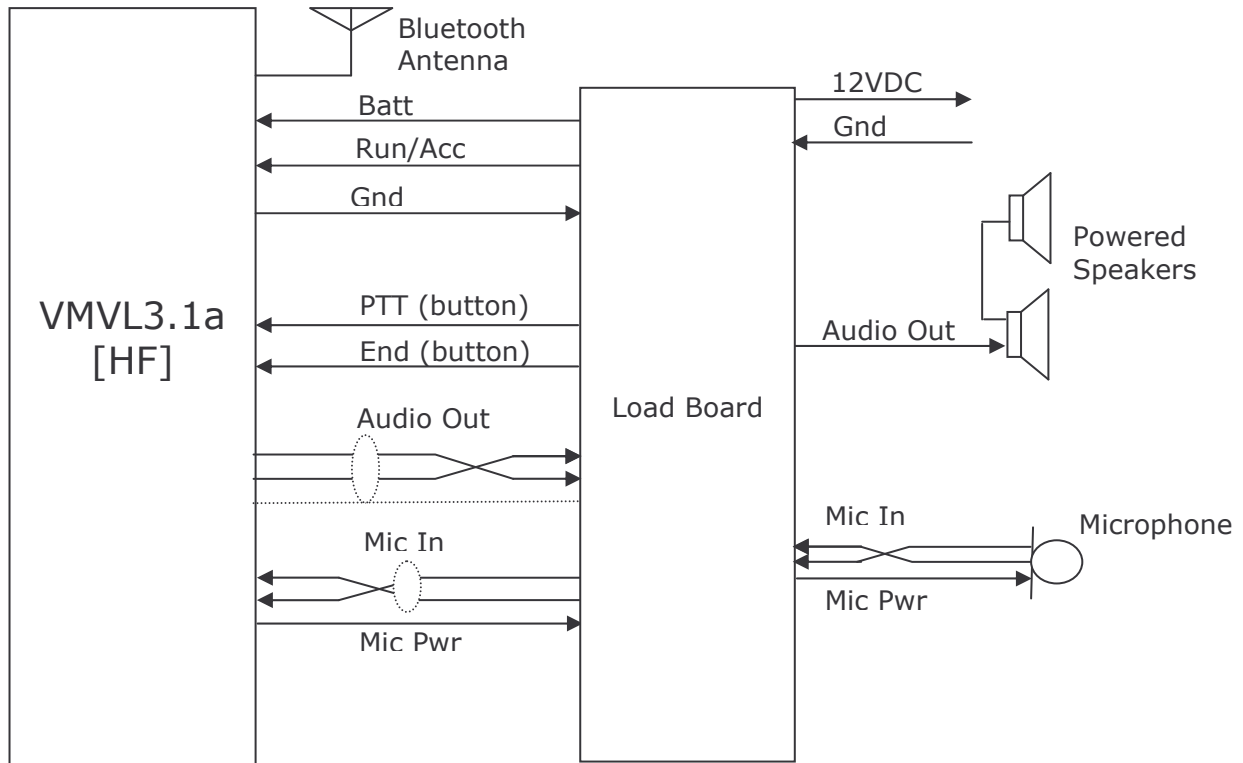


Figure 1: Setup Diagram

2. VMVL3.1a (HF) Functions

2.1. Pairing

Once system is initialized as described in Section 1.2.1 user may pair an AG device to the HF by following the steps below.

1. Press PTT button and wait for audible beep
2. Release PTT button after audible beep
3. Every voice recognition session begins at the HF's Main Menu
4. If no AGs are paired, HF will say "No phone paired. Would you like to pair one now?"
5. Say "Yes". Go to step 7
6. If an AG is already paired to HF, please say "Setup, Pair Phone" after you press PTT and hear audible beep.
7. HF says "Please initiate pairing from your handset. For further instructions refer to your phone's user manual."
8. Initiate pairing from AG
9. HF says "Please say the name for the phone"
10. Say name that you wish to give the AG
11. HF says "Please assign a priority level to <Phonename> by saying [1], [2], [3], [4] or [5]" Up to five AGs may be paired to the HF, but only one will have an active Bluetooth connection.
12. Say one number between 1 and 5
13. HF says "<Phonename> saved with a priority of <priority>"
14. HF says "Would you like to set a custom ring tone for <phonename>"
15. Say "No". This will speed up the pairing process
16. HF says "No. The default ring tone has been assigned"
17. HF exits voice recognition session with ending beep
18. At this point the AG has completed pairing procedures with the HF. A Bluetooth link between the HF and AG is established within 3-5 seconds after pairing procedures are completed
19. HF is now ready to make outgoing handsfree calls or receive handsfree calls

Note: Voice recognition session may be terminated at any time by pressing and releasing either PTT or End button or by saying "Cancel"

2.2. Initiate Outgoing Call from HF

In order to initiate an outgoing call. An AG needs to be paired to the HF and have an active Bluetooth link. Follow the steps below in order to place a call in handsfree mode

1. Press PTT button and wait for audible beep
2. Release PTT button after audible beep
3. Every voice recognition session begins at the HF's Main Menu
4. Say "Dial <continuous digit or single digits>"
5. HF says "<last digit bundle recognized> Continue entering digits, or say dial or correction"
6. User may continue entering digits via voice or say "Dial" to make handsfree call with the current number provided to the HF, or say "Correction" to correct the last set of digits entered, or say "Cancel" to end voice recognition session
7. Say "Dial" to continue
8. AG will send the call and SCO link is established

2.3. Initiate Outgoing Call from AG

In order to initiate an outgoing call. An AG needs to be paired to the HF and have an active Bluetooth link. Follow the steps below in order to place a call in handsfree mode from the AG

1. Dial desired phone number from the AG
2. AG initiates call and SCO link is established

2.4. Terminate Call

1. Call is HF mode.
2. Press End button on the load board in order to terminate ongoing HF call or
3. Press hang-up button on the AG in order to terminate ongoing HF call

2.5. Accept Incoming call

Press PTT button on HF. Call is now active

2.6. Reject an incoming call

1. If an incoming call is present, press and hold the End button on the HF
2. This rejects the incoming call

2.7. Transfer Call from HF to AG

In order to transfer a handsfree call from HF to AG follow the steps below

1. Call is in handsfree mode
2. Press PTT button and wait for audible beep
3. Release PTT button
4. Say "Transfer Call"
5. Call is transferred from handsfree mode to private mode

2.8. Transfer Call from AG to HF

In order to transfer a private call from AG to HF follow the steps below.

1. Call is in private mode
2. Press PTT button and wait for audible beep
3. Release PTT button
4. Say "Transfer Call"
5. Call is transferred from private mode to handsfree mode
6. Call is in private mode and HF and AG have a Bluetooth connection active

2.9. Call Waiting

1. HF has a call present
2. During an incoming call a beep will be heard signalling the second call
3. If user wants to accept the incoming call, user presses the PTT button on the HF, places the current call on hold and accepts the incoming call
4. User may switch between current call and call on hold by pressing the PTT button on the HF
5. If user wants to reject the incoming call, user presses the End button on the HF to reject the incoming call and maintains the current call
6. In order to end the current call and go to the call on hold, user must press the End button and release