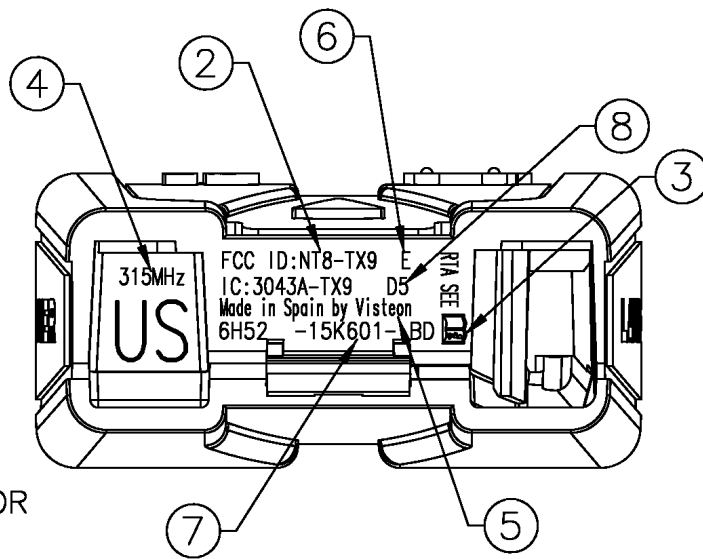
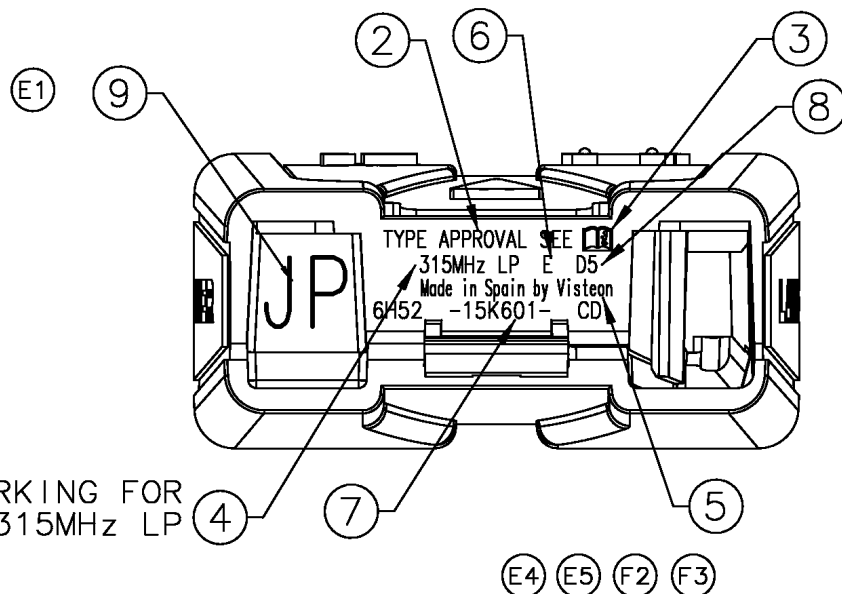


PART MARKING FOR RF KEY 433MHz



PART MARKING FOR RF KEY 315MHz



PART MARKING FOR RF KEY 315MHz LP

NOTE:

LABEL TO BE LASER PRINTED APPROXIMATELY AS SHOWN ON TRANSMITTER HOUSING.

HOUSING MATERIAL: PA6 GB20 GF10

- (E2) (1) CE 0700
CE MARK ACCORDING TO DIRECTIVE 1999/5/EC.
HEIGHT TO BE 5mm.
- (2) CHARACTER SIZE TO BE CHOSEN IN ORDER FOR THE TEXT TO BE EASILY READABLE MIN. 1mm.
- (3) HANDBOOK ACCORDING TO CUSTOMER DATA STORED ON CORPORATE SMART FOLDER.
- (4) SPECIFIED FREQUENCY. CHARACTER SIZE TO BE CHOSEN IN ORDER FOR THE TEXT TO BE EASILY READABLE MIN. 1mm.
FREQUENCY FIELD TO BE UPDATED TO REFLECT KEY VERSION.
- (5) MANUFACTURING LOCATION. CHARACTER SIZE TO BE CHOSEN IN ORDER FOR THE TEXT TO BE EASILY READABLE MIN. 1mm.
- (6) IDENTITY MARK. SINGLE CHARACTER TO BE CHOSEN IN ORDER FOR THE TEXT TO BE EASILY READABLE MIN. SIZE 1mm.
CHARACTER TO BE LAST DIGIT OF VISTEON PART NUMBER (I.E. FOR P/N VP6H5F-15K601-CA, ID MARK IS "A").
- (7) CUSTOMER PART NUMBER FIELD.
CHARACTER SIZE TO BE CHOSEN IN ORDER FOR THE TEXT TO BE EASILY READABLE MIN. 1mm.
FIELD TO BE UPDATED TO REFLECT KEY VERSION.
- (8) PRODUCTION DATE FIELD 2 CHARACTERS ACCORDING TO ISO 3779.
2 CHARACTERS MONTH AND YEAR. SIZE TO BE CHOSEN FOR THE TEXT TO BE EASILY RADABLE.

MONTH YEAR ARE INDICATED BY A5
 JAN 2005 ARE INDICATED BY B6
 FEB 2006 ARE INDICATED BY C7
 MAR 2007 ARE INDICATED BY C7
 DEC 2010 ARE INDICATED BY MA

(E3) (F4)

RF KEY 433 MHz	VP6H5F-15K601-AF	6H52-15K601-AD	433.92 MHz
RF KEY 315 MHz	VP6H5F-15K601-BF	6H52-15K601-BD	315 MHz
RF KEY 315 MHz LP	VP6H5F-15K601-CE	6H52-15K601-CD	315 MHz-LP
MODULE DESCRIPTION	VISTEON PART NUMBER	CUSTOMER PART NUMBER	FREQUENCY

MODULE LABEL KEY 433MHz	VP6H5F-18N173-AA
RTA LABEL KEY 433MHz	VP6H5F-18N173-BA
MODULE LABEL KEY 315MHz	VP6H5F-18N173-CA
RTA LABEL KEY 315MHz	VP6H5F-18N173-DA
MODULE LABEL KEY 315MHz LP	VP6H5F-18N173-EA
RTA LABEL KEY 315MHz LP	VP6H5F-18N173-FA
MODULE DESCRIPTION	VISTEON PART NUMBER

LTRS	REVISIONS		
	DATE	ORIGINATOR	REVIEWER
IDENTIFICATION ADDED			
E1- IDENTIFICATION FOR US AND JP ADDED			
E2- CHANGED NOTE			
E3- NOTE ADDED			
E4- LR PART No. UPSUFFIXED: WAS 6H52-15K601-AB WAS 6H52-15K601-BB WAS 6H52-15K601-CB			
E5- VISTEON PART No. UPSUFFIXED: WAS VP6H5F-15K601-AD WAS VP6H5F-15K601-BD WAS VP6H5F-15K601-CC			
E6- IDENTITY MARK CHANGED			
DELG E 50030492 000			
20060816	DNOLTEN	AGOTTSC1	DNOLTEN
REMOVED REVISIONS			
LASERMARKING FOR US VERSION CHANGED			
F1- FCC AND IC ADDED TO US KEY			
F2- LR PART No. UPSUFFIXED: WAS 6H52-15K601-AC WAS 6H52-15K601-BC WAS 6H52-15K601-CC			
F3- VISTEON PART No. UPSUFFIXED: WAS VP6H5F-15K601-AE WAS VP6H5F-15K601-BE WAS VP6H5F-15K601-CD			
F4- NOTE DELETED			
DELG E 50032610 000			
20061017	DNOLTEN	AGOTTSC1	DNOLTEN

THIS DRAWING AND ANY INTELLECTUAL PROPERTY RIGHTS THEREIN ARE PROPERTY OF VISTEON CORPORATION AND NO LICENSES ARE GRANTED UNDER THOSE RIGHTS					
OPERATION	UNIT	PLANT	SAFETY		
DRAFTED IN ACCORDANCE WITH VISTEON ENGINEERING CAD STANDARDS CURRENT AT INITIAL RELEASE			MUST COMPLY WITH VISTEON AND APPLICABLE OEM RESTRICTED SUBSTANCE MANAGEMENT STANDARDS		
INITIAL ORIGINATOR	DATE	INITIAL REVIEWER	DATE	INITIAL ENGINEER	DATE
	050405		050405		050405
DNOLTEN		AGOTTSC1		DNOLTEN	
3RD ANGLE PROJ	CUSTOMER DATA TYPE		SCALE: 1:1	UNITS: mm	
	CUSTOMER NUMBER		SHT 1 OF 1	RH/LH: NONE	
			CPSC:	DATA	
			IS MASTER		
NAME PART LABEL IDENT.					
CAD FILE	VP6H5F-15K601-A VER 35				
DWG FILE	VP6H5F-18N173-A VER 12				
DATA LOC	TDM 56390	DATA TYPE I-IDEAS			
PRODUCT NUMBER	VP6H5F-18N173-AA				



DRW SIZE A2/C