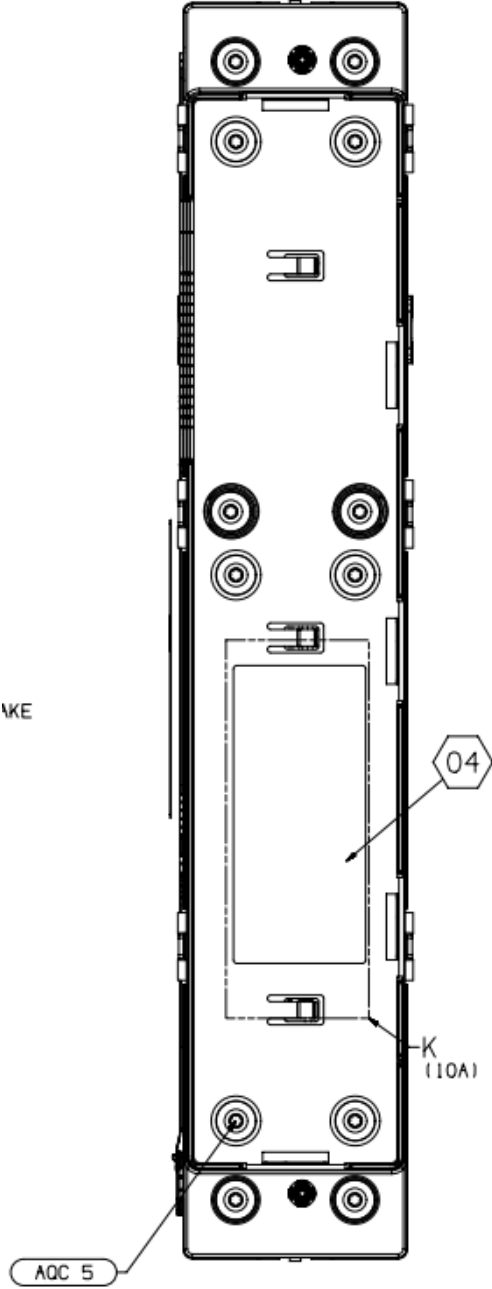


Label Location: K view in the drawing below:



Additional drawing views and information in the mechanical drawing file.

**Certification label:**

SENSE LINE ASSEMBLY (SLA)  
MODEL NAME: SLAP3X6  
FCC ID: NT8-SLAP3X6 IC: 3043A-SLAP3X6  
MANUFACTURED BY: VISTEONCORPORATION  
ADDRESS: ONE VILLAGE CENTER DRIVE,  
VAN BUREN TOWNSHIP 48111, MI USA  
BRAND: VISTEON  
MADE IN MEXICO  
HVIN: 1.5 FVIN: 1.0