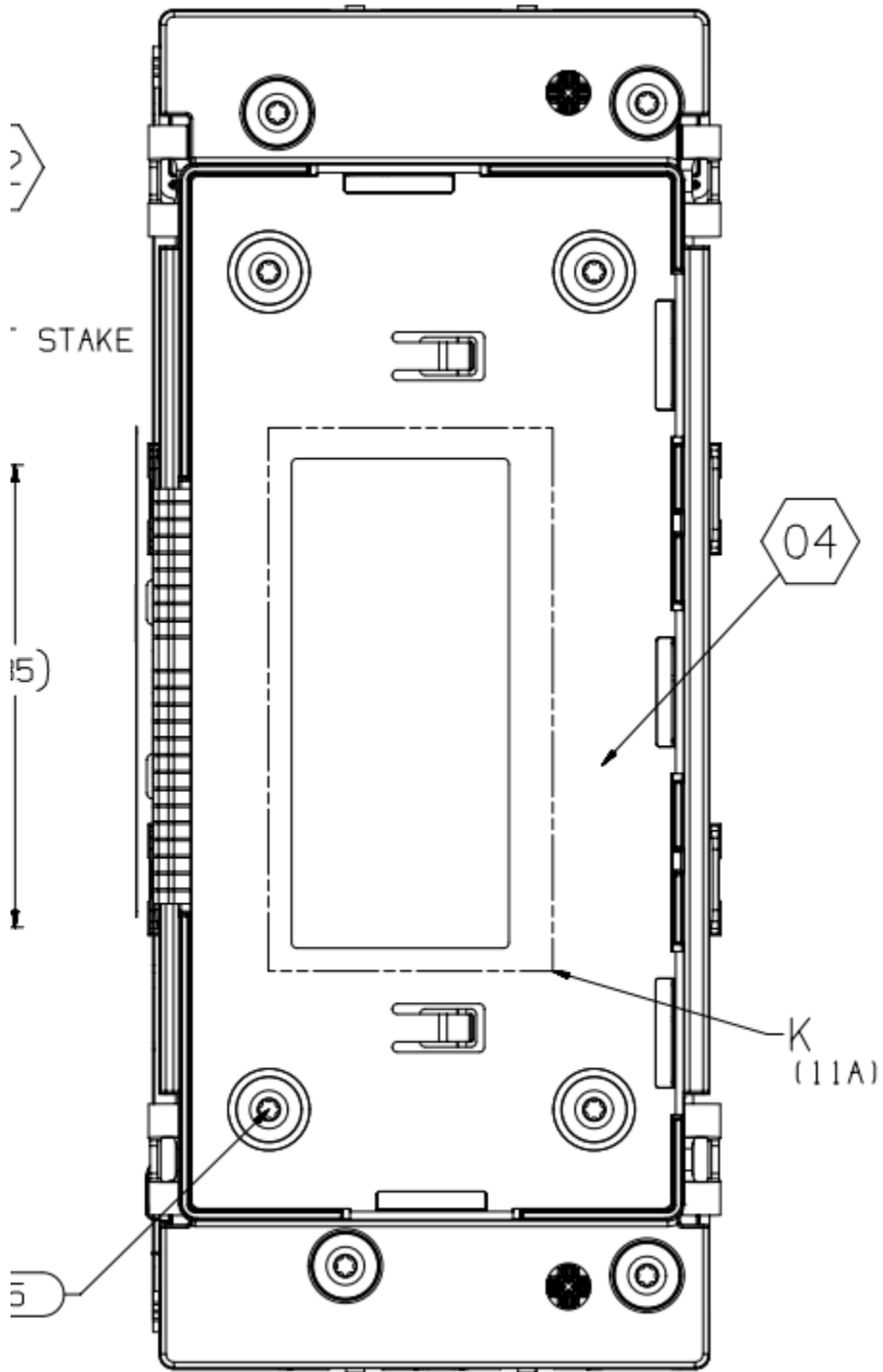


Label Location: K view in the drawing below:



Additional drawing views and information in the mechanical drawing file.

Certification label:

SENSE LINE ASSEMBLY (SLA)
MODEL NAME: SLAP2X9
FCC ID: NT8-SLAP2X9 IC:3043A-SLAP2X9
MANUFACTURED BY: VISTEON CORPORATION
ADDRESS: ONE VILLAGE CENTER DRIVE,
VAN BUREN TOWNSHIP 48111, MI USA
BRAND: VISTEON
MADE IN MEXICO
HVIN: 1.6 FVIN: 1.0