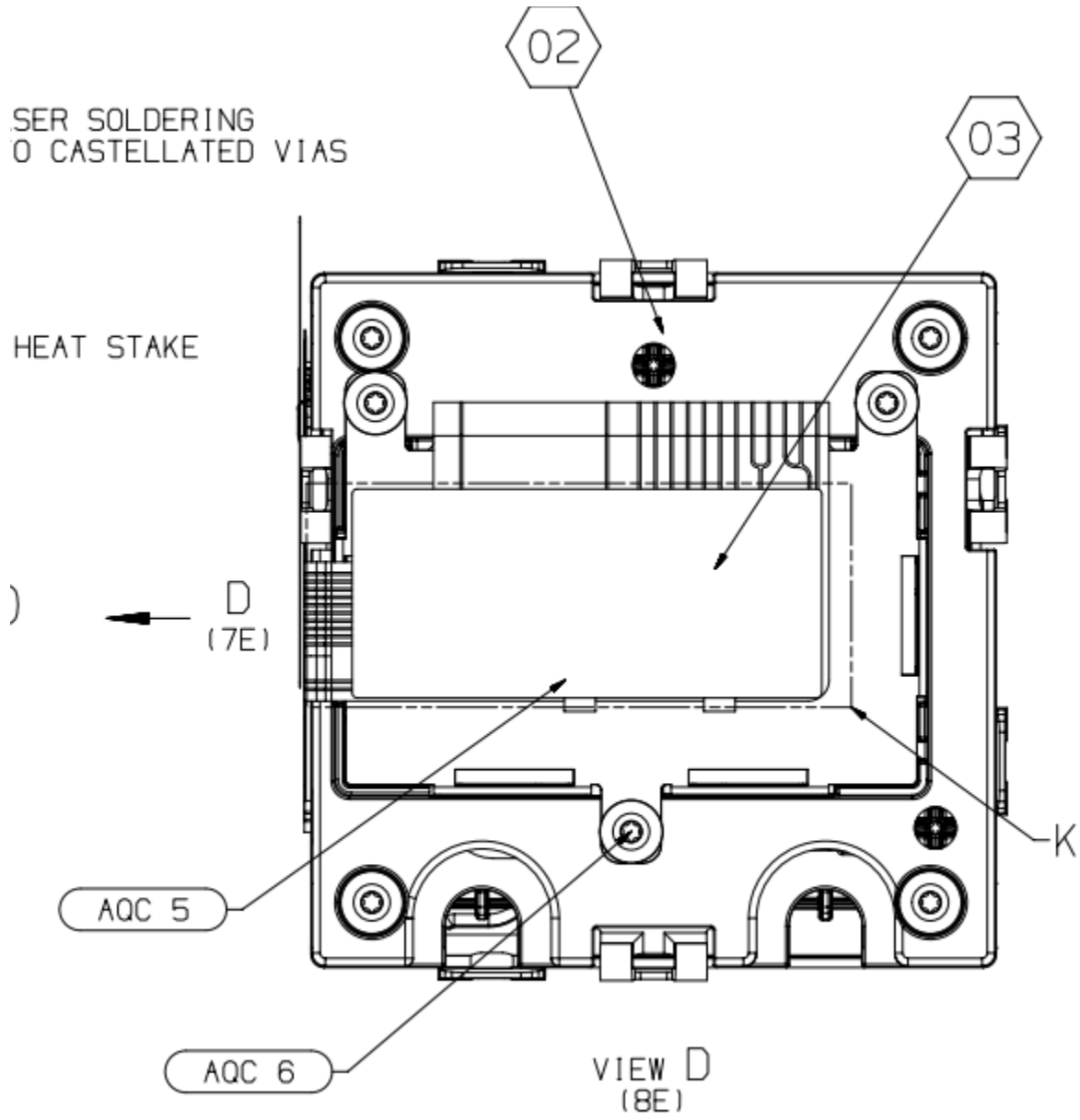


Label Location

K view in the drawing below:



Additional drawing views and information in the mechanical drawing file.

Certification label:

SENSE LINE ASSEMBLY (SLA)
MODEL NAME: SLAP1X12
FCC ID: NT8-SLAP1X12 IC: 3043A-SLAP1X12
MANUFACTURED BY: VISTEONCORPORATION
ADDRESS: ONE VILLAGE CENTER DRIVE,
VAN BUREN TOWNSHIP 48111, MI USA
BRAND: VISTEON
MADE IN MEXICO
HVIN: 1.2 FVIN: 1.0