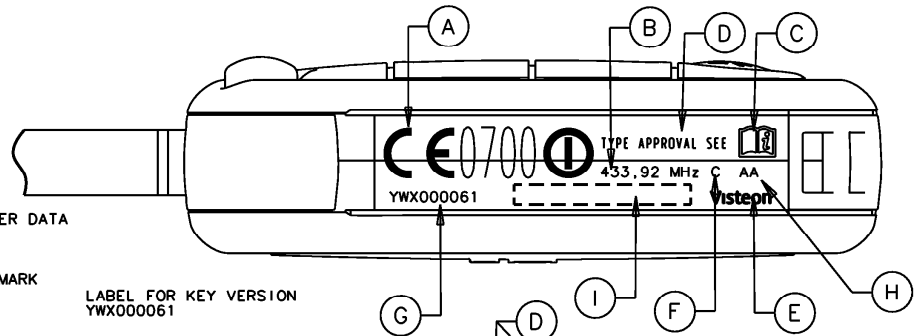
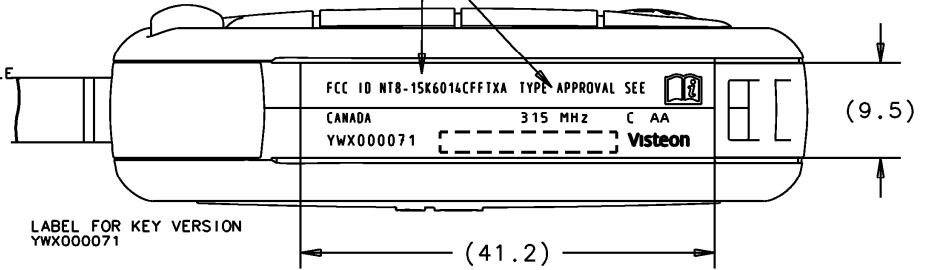


NOTE:

- (A) CE 0700 "WARNING SYMBOL" ACCORDING TO DIRECTIVE 1999/5/EC
WARNING SYMBOL ACCORDING TO DIRECTIVE 2000/299/EG
- (B) FREQUENCY FIELD
- (C) HANDBOOK SYMBOL ACCORDING TO CUSTOMER DATA
- (D) RTA MARKING
- (E) VISTEON POSITIVE LINE VERSION TRADEMARK
- (F) IDENTITY MARK, SINGLE CHARACTER TO BE LAST CHARACTER OF VISTEON P/N
- (G) CUSTOMER PART NUMBER FIELD. FIELD TO BE UPDATED TO REFLECT KEY VERSION
- (H) PRODUCTION DATE FIELD MONTH AND YEAR 2 CHARACTERS ACCORDING TO ISO377
- (I) BAR CODE TYPE 39. 2 DIGITS RELATED TO MODULE



LABEL FOR KEY VERSION
YWX000061



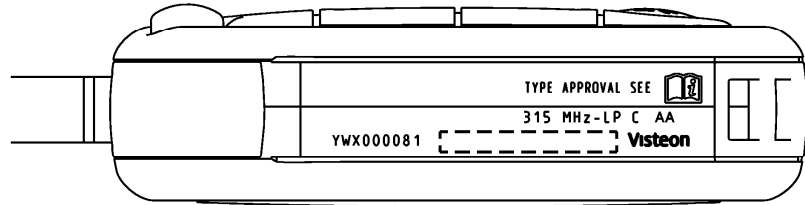
LABEL FOR KEY VERSION
YWX000071

G4

F1

E2

D1



LABEL FOR KEY VERSION
YWX000081