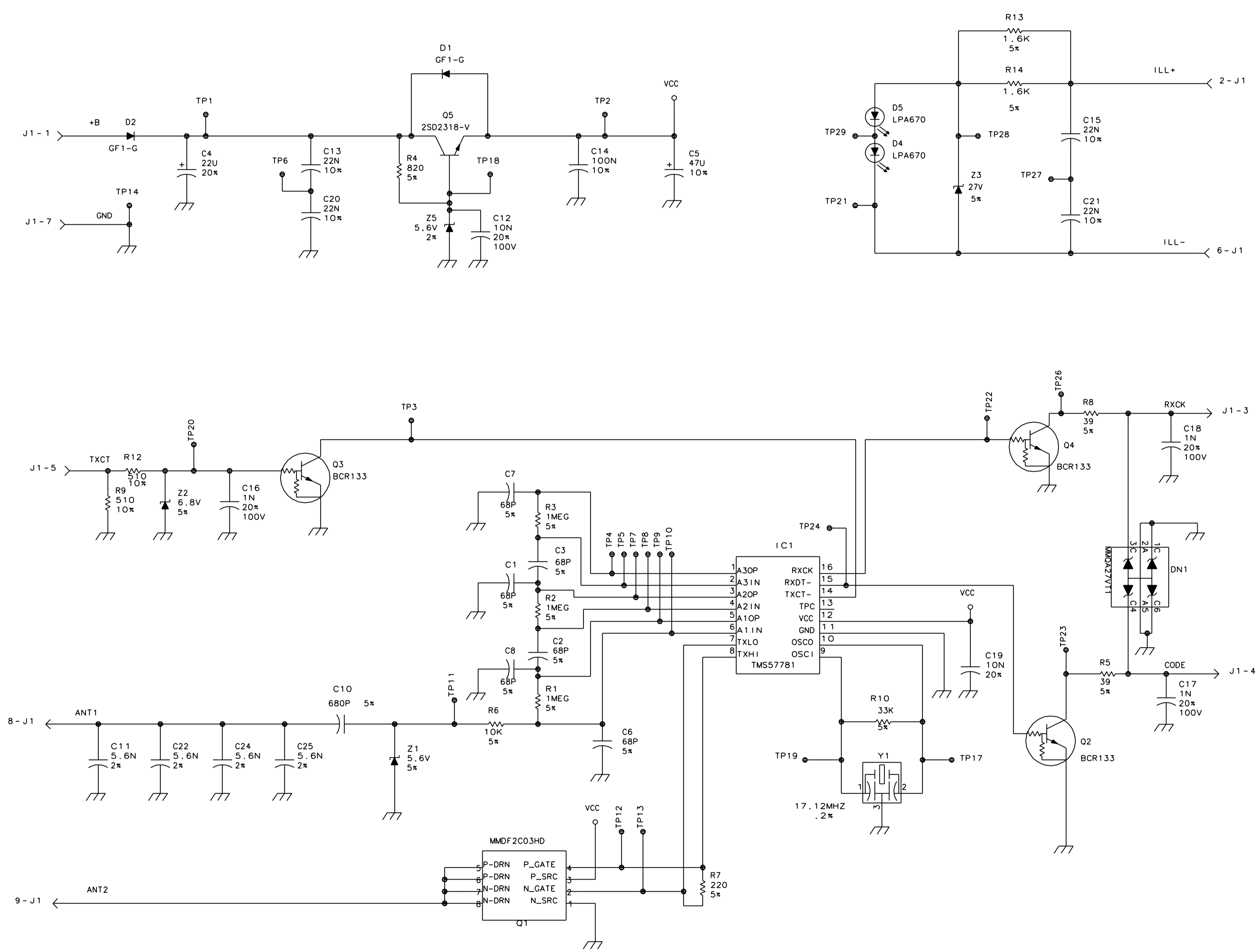


DISPOSE of Copies by	20 YEARS MIN	ISS	MASS	MASS TOL.	ECI No.	REV No.	LT RS	REVISIONS						
RETAIN Record Copy (Marked in Red) until							ORIGINATOR	CHECKER	ENGR APP	MATL APP				
ERMM Schedule Number 7 - 1 - 25A							REVISION RECORD: SEE PAGE1							
							DELG I 11132030 000 DATE: 000811							



ECI No.	REVISION RECORD	MASS	MASS TOL.
TOYOTA PART NAME AMPLIFIER, TRANSPONDER KEY W/COIL		TOYOTA PART NO. 89783-06010	
APPROVED	CHECKED		
STAFF CODES	EP800	TOYOTA MOTOR CORPORATION	

Visteon™

THIS DRAWING AND ANY INTELLECTUAL PROPERTY RIGHTS THEREIN ARE PROPERTY OF VISTEON AUTOMOTIVE SYSTEMS AND NO LICENSES ARE GRANTED UNDER THOSE RIGHTS

REFERENCE	--		
PART MUST COMPLY WITH MATERIAL SPECIFICATION WSS-M99P9999-A1 TO HELP SAFEGUARD HEALTH, SAFETY AND THE ENVIRONMENT.			
DRAFTED IN ACCORDANCE WITH FAO ENGINEERING DRAFTING STANDARD CURRENT AT INITIAL RELEASE		3RD ANGLE PROJ DIMENSIONS IN MILLIMETERS	
CAD TYPE	CAD LOC.	CAD FILE	DATA IS MASTER
IDEAS	TDM 637	VP2FIF-15607-AA_ALPHA.DWG	
OPER. NO.	UNIT	DRAWING	VP2FIF-15607-AA
DESIGN	DETAIL	TITLE	SHT α
LBAUMGA1	LBAUMGA1	XCVR AMPLIFIER ASSY	OF 9
CHECKED	SAFETY		
AVERLAG1			
SCALE	DATE	DIVISION	
1 : 1	000811	ELECTRONICS	
		PLANT	MARKHAM

DRW SIZE A1/D