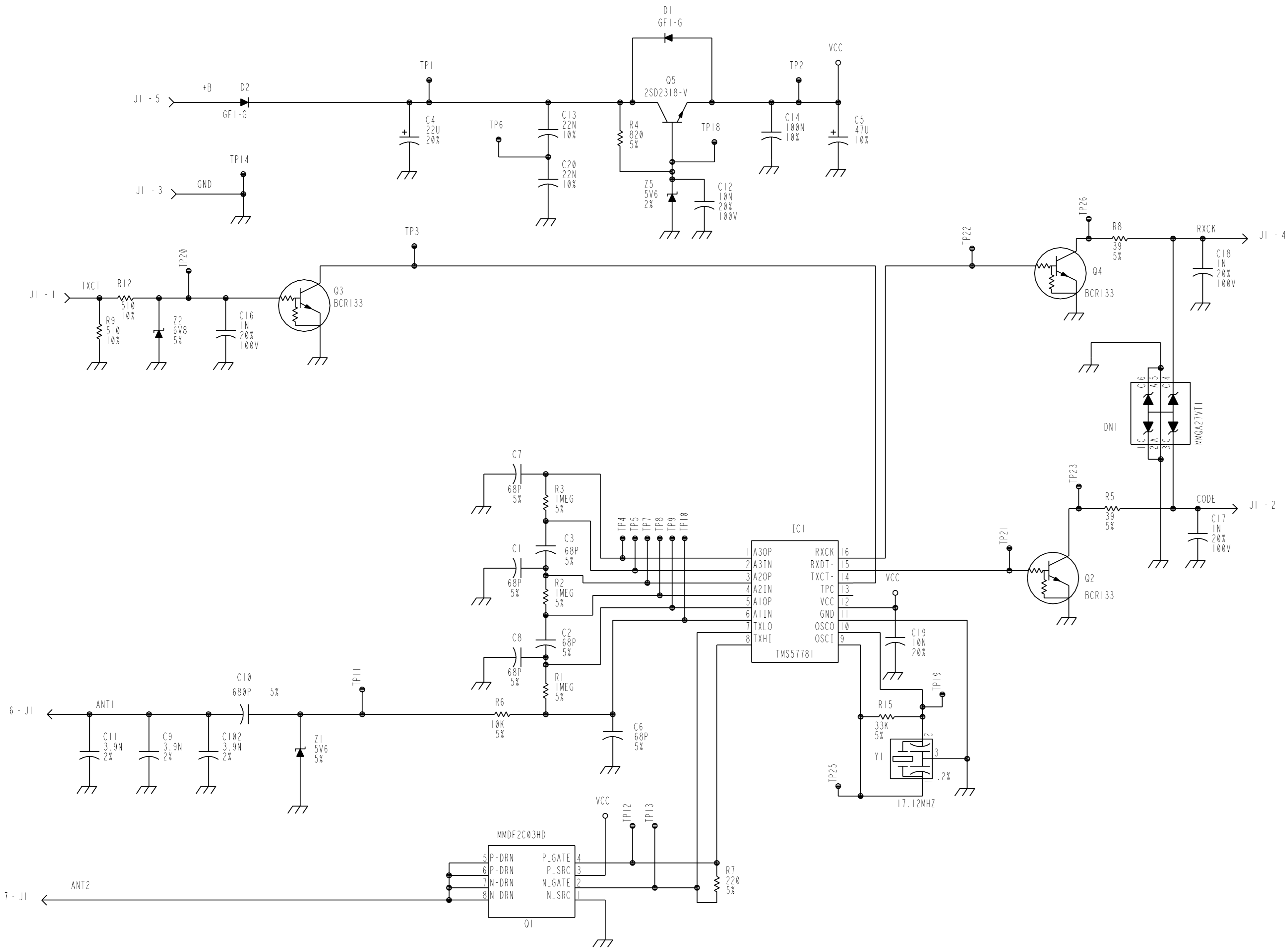


DISPOSE OF COPIES BY  
 LAST JOB PLUS 20 YEARS MIN  
 RETAIN RECORD COPY (MARKED IN RED) UNTIL  
 ERM SCHEDULE NUMBER 7-1-25A

ISS	MASS	MASS TOL.	ECI No.	REV No.	LTRS			
					ORIGINATOR	CHECKER	ENGR APP	MATL APP
					REVISIONS SEE PAGE 1			



ECI No.	REVISION RECORD	MASS	MASS TOL
TOYOTA PART NAME AMPLIFIER, TRANSPONDER KEY W/COIL		TOYOTA PART NO. 89783-184NM	
APPROVED	CHECKED		
STAFF CODES		TOYOTA MOTOR CORPORATION	

**Visteon™**

THIS DRAWING AND ANY INTELLECTUAL PROPERTY RIGHTS THEREIN ARE PROPERTY OF VISTEON AUTOMOTIVE SYSTEMS AND NO LICENSES ARE GRANTED UNDER THOSE RIGHTS

REFERENCE			
PART MUST COMPLY WITH MATERIAL SPECIFICATION WSS-M99P9999-A1 TO HELP SAFEGUARD HEALTH, SAFETY AND THE ENVIRONMENT.			
DRAFTED IN ACCORDANCE WITH FAO ENGINEERING DRAFTING STANDARD CURRENT AT INITIAL RELEASE			3RD ANGLE PROJ DIMENSIONS IN MILLIMETERS
CAD TYPE	CAD LOC.	CAD FILE	DATA IS MASTER
X-PROE	H616	IU3F-15607-AA.drw.*	
OPER. NO.	UNIT	DRAWING	
		IU3F-15607-AA	
DESIGN	DETAIL	TITLE	SHT α
AVERLAGI	AVERLAGI	XCVR AMPLIFIER ASSY	OF 8
CHECKED	SAFETY		
SCALE	DATE	DIVISION	
1:1	990512	PLANT	

DRW SIZE A1/D