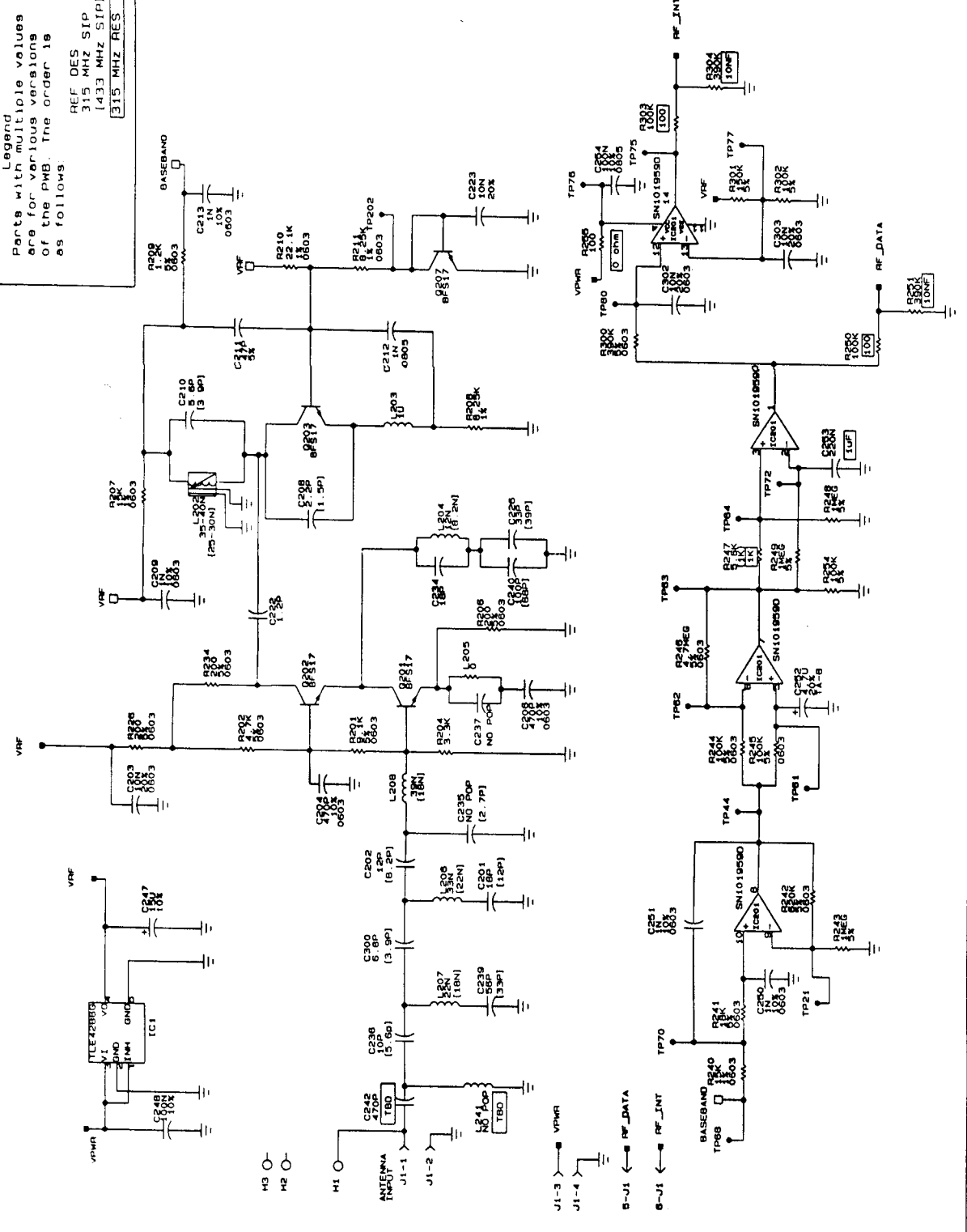


MS-YC3F-3458-AZB

Legend
 parts with multiple values
 are for various versions
 of the PMB. The order is
 as follows

REF DES
 315 MHZ SIP
 [433 MHZ SIP]
 [315 MHZ RES]



6930

RES

PLANT CODE: DMS7

pschreib

MS-YC3F-3458-AZB

DATE LET
 871224 AZA
 DE00 E 10809740 000

REVISIONS
 R. MICHAELS (84-5-0903)
 DE00 E 10809740 000

Changed R205 to 0803
 Changed R304 to 0805
 Changed R281 to 0805
 Added table for RES
 Added Hole #1 for RES
 Changed C263 to 1206
 Changed C264 to 100K (10031)
 DE00 E 10848779 001

NAME SKETCH - WIRING DIAGRAM
 REMOTE ENTRY SENSOR

NO. MS-YC3F-3458-AZB

DATE
 DRAWN BY
 R. MICHAELS
 BROS501

CHECKED
 NONE

SCALE
 NONE

APPROVED

UNLESS OTHERWISE SPECIFIED:
 DIMENSIONS IN MILLIMETERS
 UNLESS OTHERWISE SPECIFIED
 STAMPED DIM. //

MATERIAL

PRODUCT ENGINEERING

COMPUTER MANUAL SIZE APERTURE ONLY

OR COLUMN - GRAPHIC DATA LEVEL ORIGINAL DESIGN

WIRING DRAWING ORIGINAL DESIGN

DO NOT SCALE DRAWING FOR MATERIALS

REF DES. 1

EXHIBIT 05

Page 1 of 1

U of Mich file 415031-035