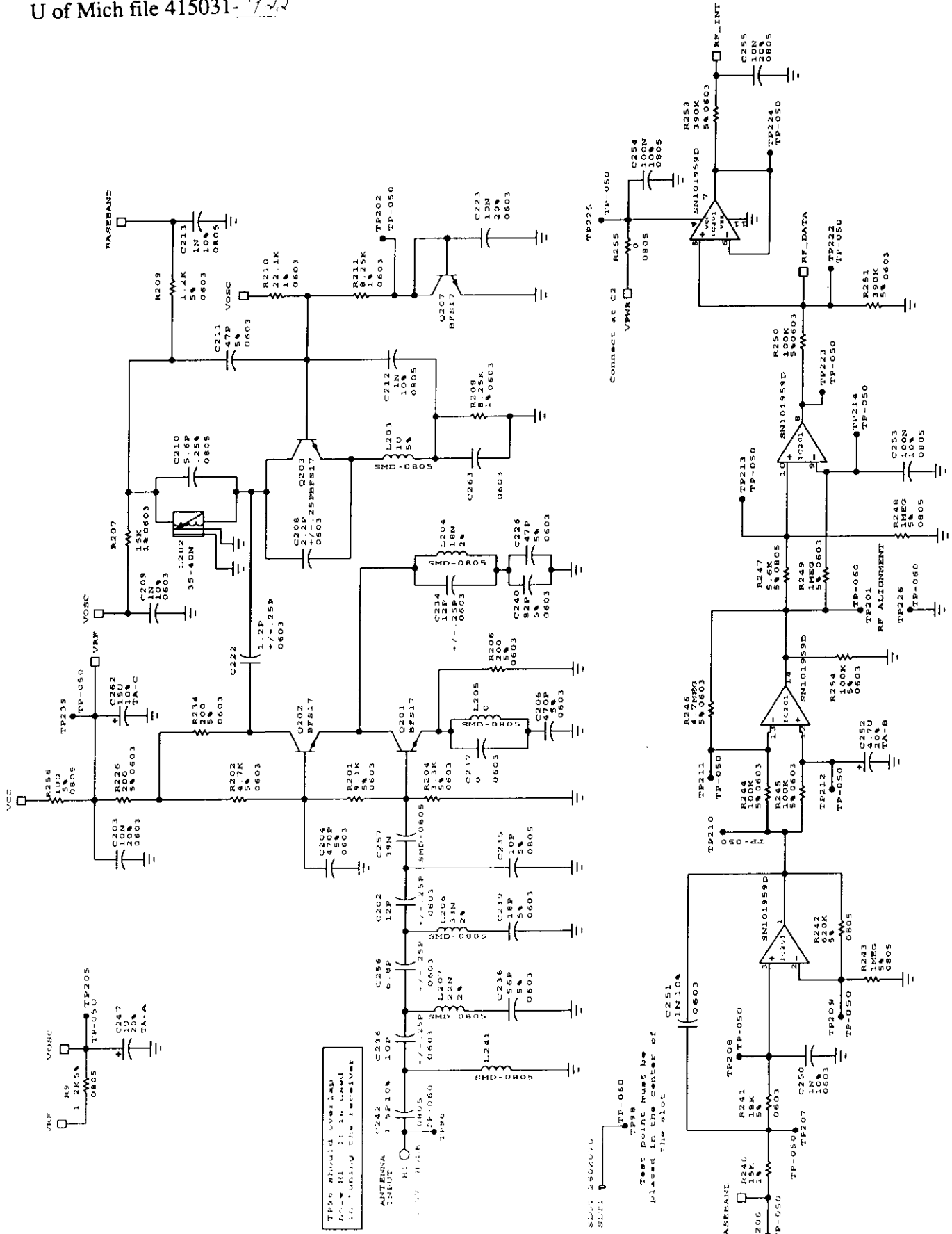
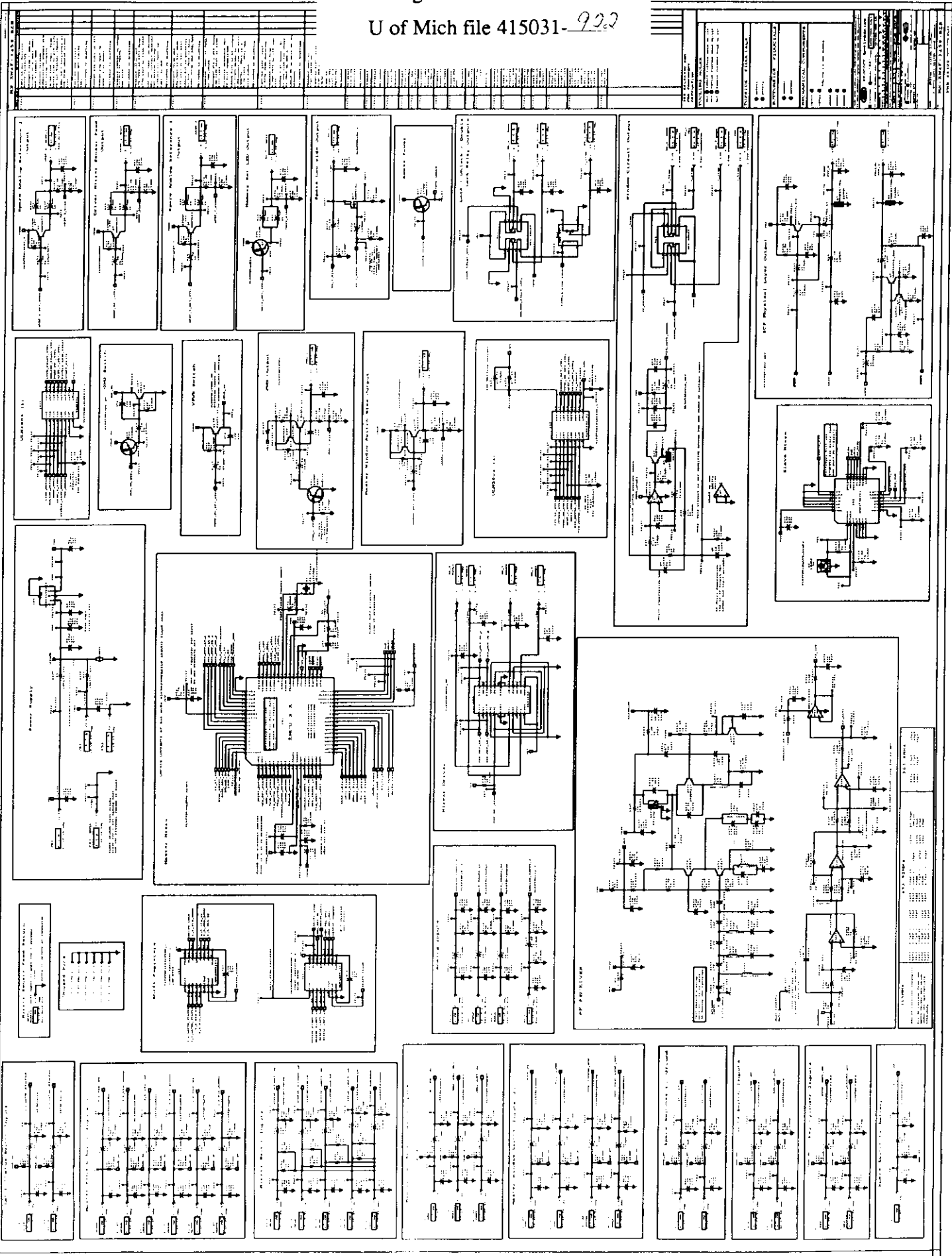
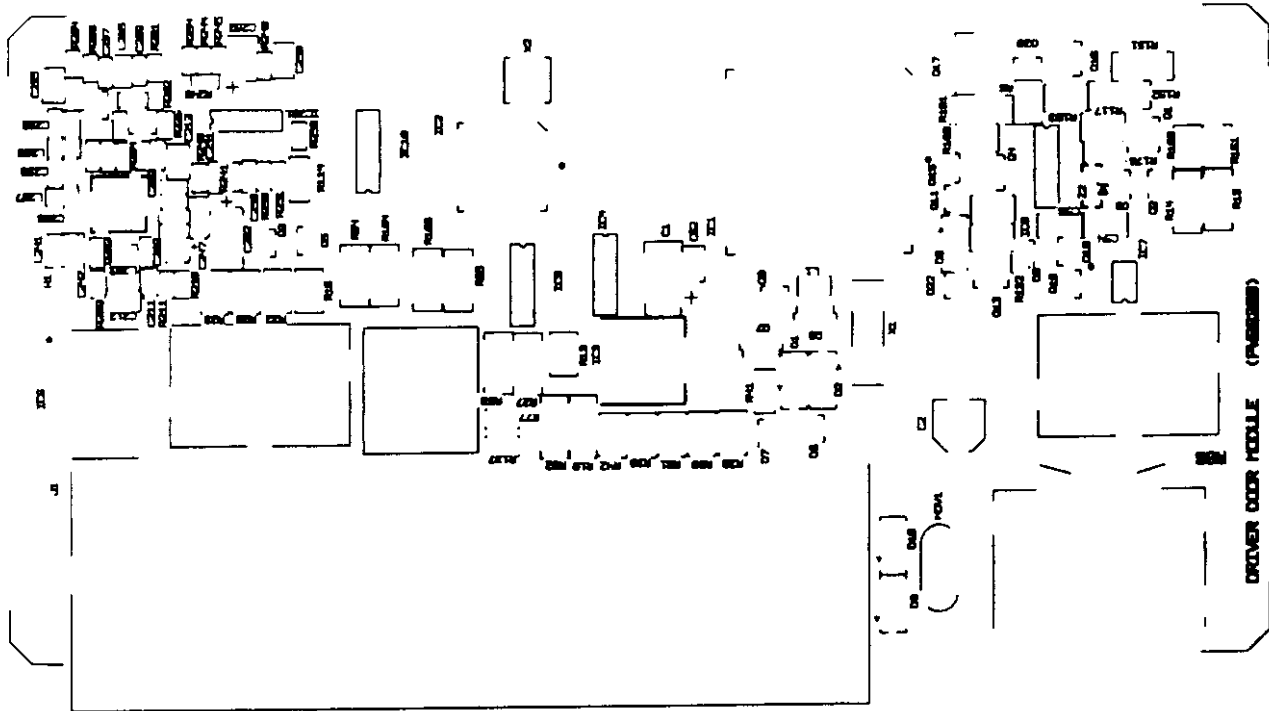


RF RECEIVER



U of Mich file 415031-922





FORD PRODUCT ENGINEERING			
DESIGNER	DATE	SCALE	CHECKED ENGINEER
TERRY SMITH	971010	1:1	TS C. ALTEWARE
SKETCH - PRINTED WIRING COMPONENT (TOP SIDE)			
MS--XW4F--1409--AP81 (ST6300A0.0BR)			
BOARD - PRINTED WIRING (P486300)			
XW4F--14A608--YB1			
BOARD - PRINTED WIRING MULTIPLE			
XW4F--14A615--TB1			

FORD PRODUCT ENGINEERING

DESIGNER	DATE	SCALE	CHECKED	ENGINEER
TERRY SMITH	971010	1:1	TS	C. ALTEMARE
SKETCH - PRINTED WIRING COMPONENT (BOT SIDE)				
MS-XWHF-1409-ARB1 SB6300A0.GBR				
BOARD - PRINTED WIRING (PWB6300)				
XWHF-14A608-YB1				
BOARD - PRINTED WIRING MULTIPLE				
XWHF-14A615-TB1				



DATE: 0000 0000 0000 (PWB6300) 3.11.0000 0000 0000