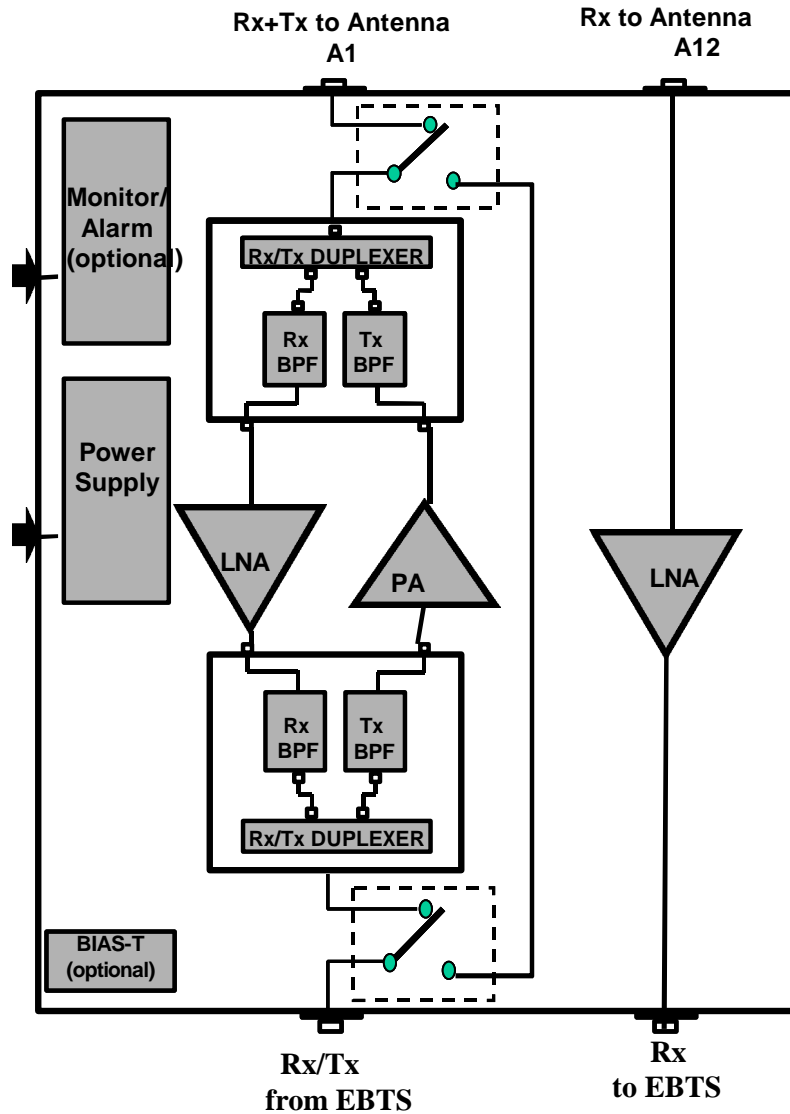


CDMA Cell Extender

BLOCK DIAGRAM



THIS EQUIPMENT COMPLIES WITH PART 15 OF THE FCC RULES. ANY CHANGES OR MODIFICATIONS NOR EXPRESSLY APPROVED BY MANUFACTURER COULD VOID USER'S AUTHORITY TO OPERATE THE EQUIPMENT

C o m m u n i c a t i o n C o m p o n e n t s I n c .

89 Leuning Street
S.Hackensack, NJ 07606

Tel: 201 342-3338
Fax: 201 342-3339