

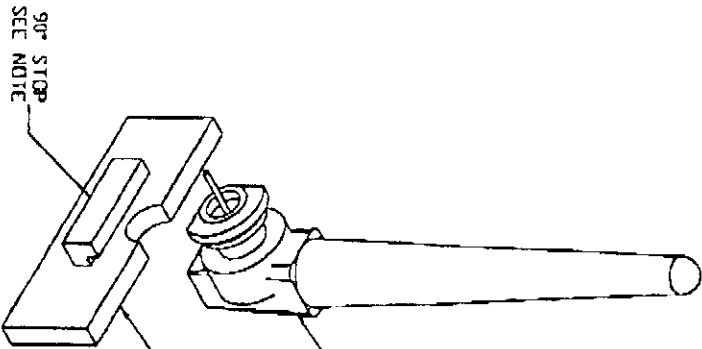
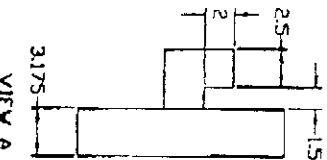
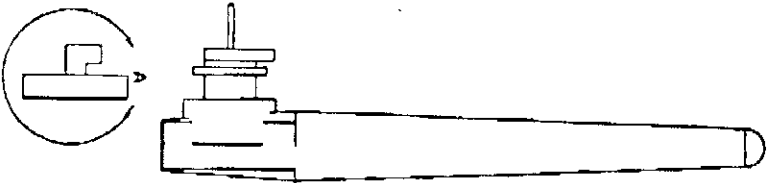
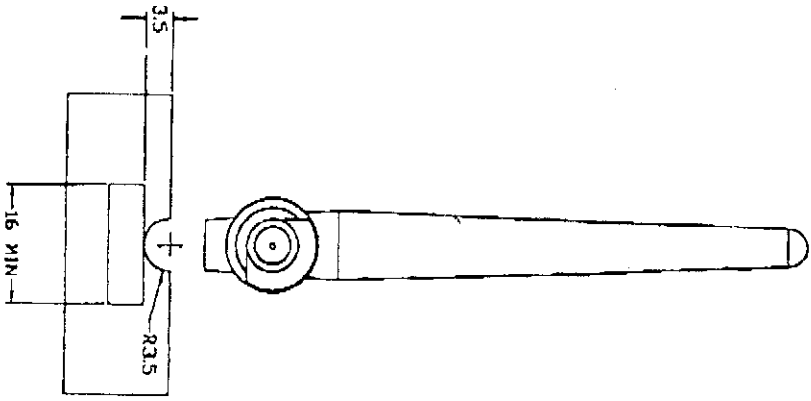
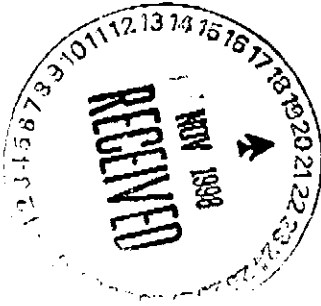
NO REVISION CONTROL

DWG NO. 90581550

SH 1

REV -

REVISIONS		
REV	DESCRIPTION	DATE
-	INITIAL RELEASE.	11/24/88 m. 8876



ANTENNA (PART # 65379722) FITS INTO NOTCH IN CASE BOTTOM AND HELD IN PLACE WHEN CASE TOP IS ATTACHED

SECTION OF CASE SIDE (1/8" THICK)

STOP NOTE: STOP PREVENTS ANTENNA FROM ROTATING MORE THAN 90°. MAY BE ATTACHED TO CASE SIDE OR BOTTOM.

PARTS LIST

ITEM NO.	QTY	REV	PART OR DRAWING NO.	MANUFACTURE OR DESCRIPTION	ANTENNA SPECIFICATION	TYPE
UNLESS OTHERWISE SPECIFIED DIMENSIONS ARE IN MILLIMETERS. FRACTIONS DECIMALS ANGLES						
* 1/16 1/32 .1 1/2						
* .125 .25						
DRAWN BY		DATE		CONTRACT NO.		
S. PENNO		12/18/98				
CHECKED BY		DATE		APPROVED		
S. Penno		11/24/88		11/24/88 m. 8876		
SCALE		SCALE		SHEET		
1:1		1:1		1 OF 1		

DIPOLE ANTENNA MOUNTING

HUBER+SUNNER, INC.
19 Thompson Drive, Essex Junction, Vermont, 05452

SIZE CODE: B
DWG NO.: 90581550

VARIOUS	USED ON
APPLICATION	

DO NOT SCALE DRAWING