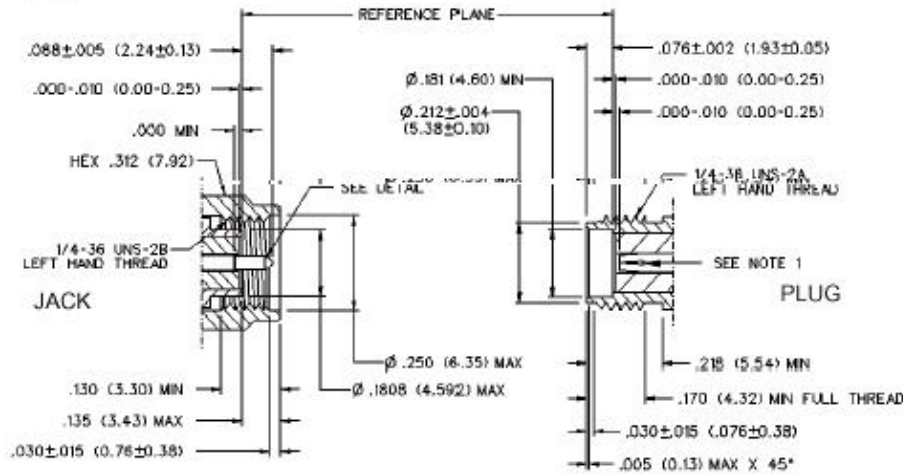


## Description of Unique Connector

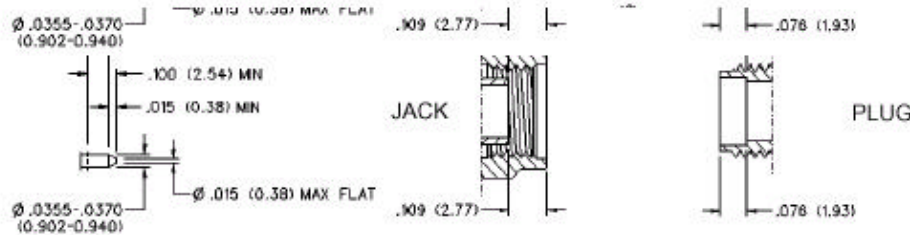
FCC regulation (Part 15.203) stipulates that wireless devices with removable antennas require a non-standard antenna connection to the hand-held device. To meet this requirement, we are using a Johnson Components reverse threads (left hand).

### Mating Engagement for SMA Reverse Thread Series per FCC Rule 15 Non-Standard Interface




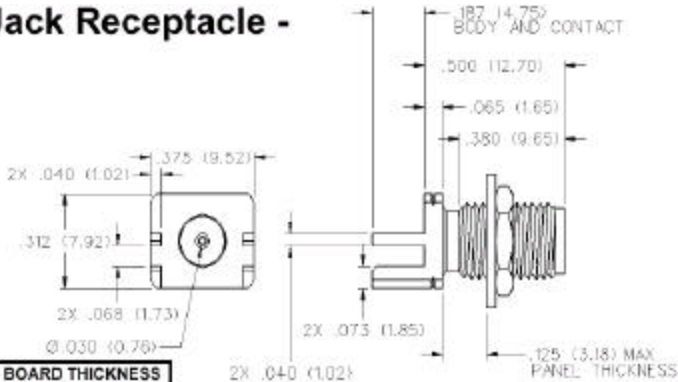
**NOTES**

1. ID OF CONTACT TO MEET VSWR, CONTACT RESISTANCE AND INSERTION WITHDRAWAL FORCES WHEN MATED WITH DIA .0355-.0370 MALE PIN.



The RF connector on the module is an End Launch Reverse-Thread SMA Bulkhead Jack Receptacle. The manufacturer's part no. Johnson 142-5701-811.

### End Launch Bulkhead Jack Receptacle - Round Contact

GOLD PLATED	NICKEL PLATED	BOARD THICKNESS
142-5701-811	142-5701-816	.062 (1.57)