

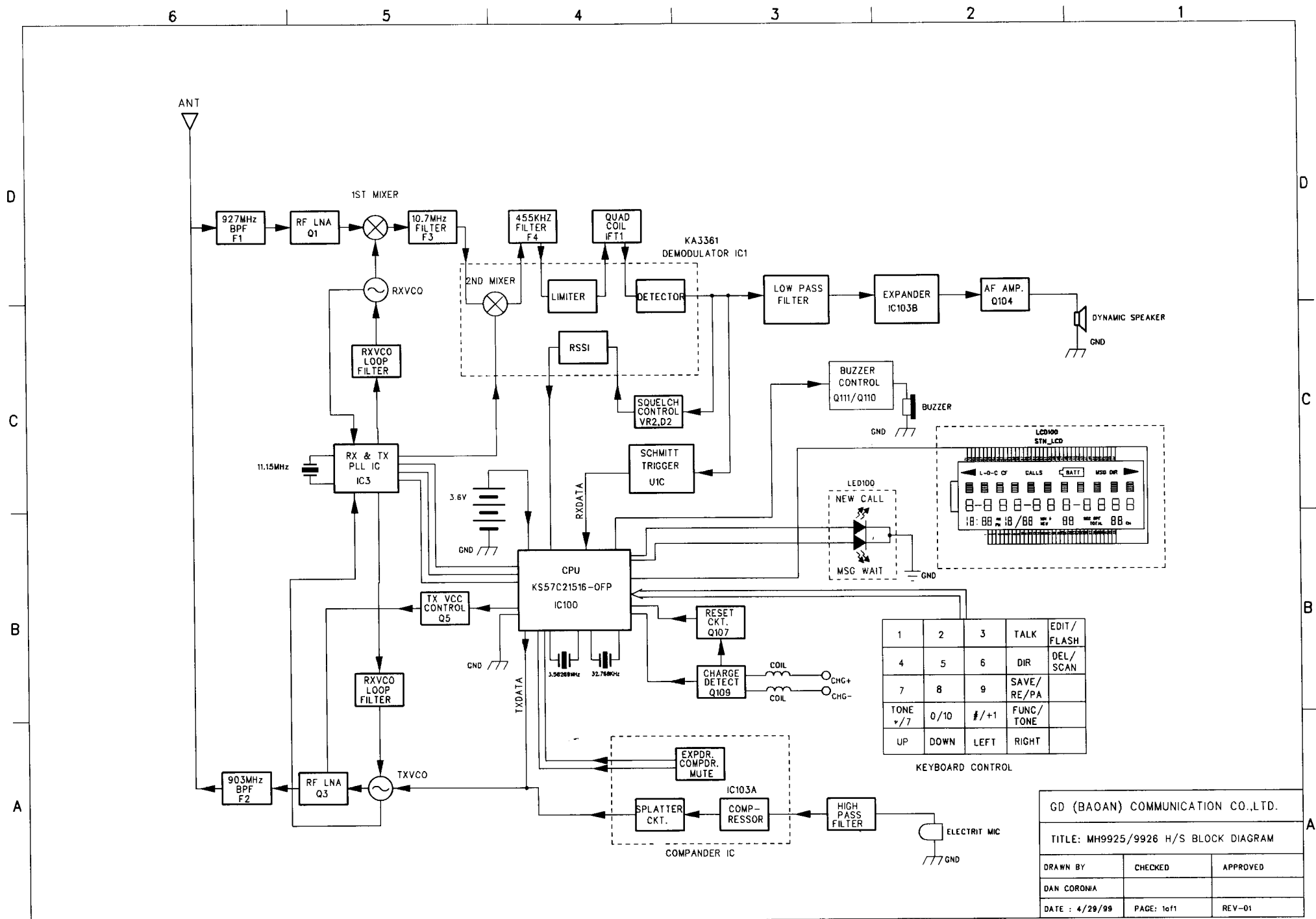
1	2	3	MEMO
4	5	6	VOL_UP
7	8	9	VOL_DN
RING OFF	0	RING ON	RE/PA
FLASH	SPK	INT	TONE

BASE KEYPAD REDIAL

GD (BAOAN) COMMUNICATION CO.,LTD.

TITLE: MH9925/9926 BASE BLOCK DIAGRAM

DRAWN BY	CHECKED	APPROVED
DAN CORONIA		
DATE : 4/29/99	PAGE: 1 of 1	REV-01



1	2	3	TALK	EDIT / FLASH
4	5	6	DIR	DEL / SCAN
7	8	9	SAVE / RE / PA	
TONE +/-7	0/10	#/+1	FUNC / TONE	
UP	DOWN	LEFT	RIGHT	

KEYBOARD CONTROL

GD (BAOAN) COMMUNICATION CO.,LTD.

TITLE: MH9925/9926 H/S BLOCK DIAGRAM

DRAWN BY	CHECKED	APPROVED
DAN CORONIA		
DATE : 4/29/99	PAGE: 1c11	REV-01