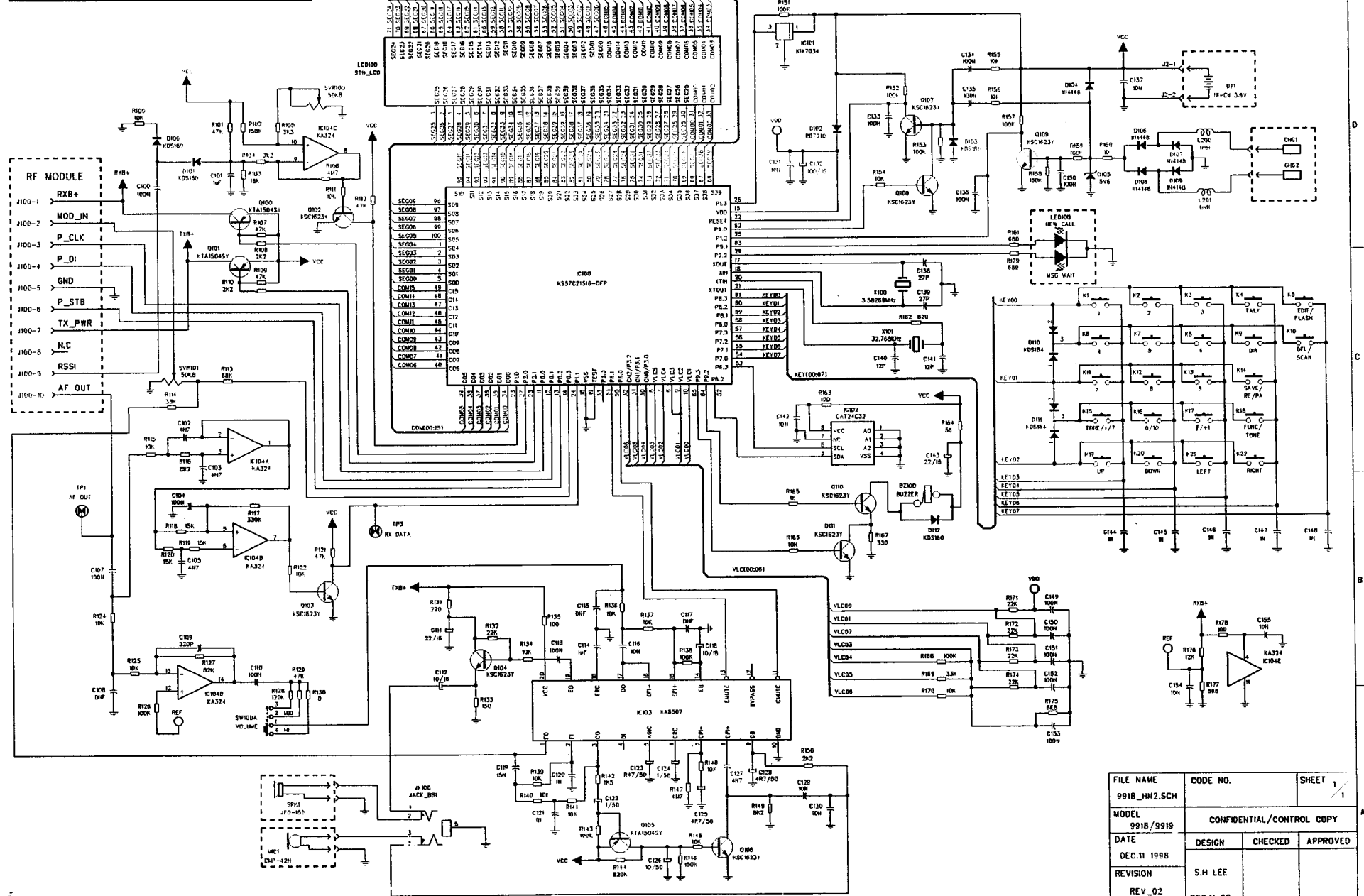
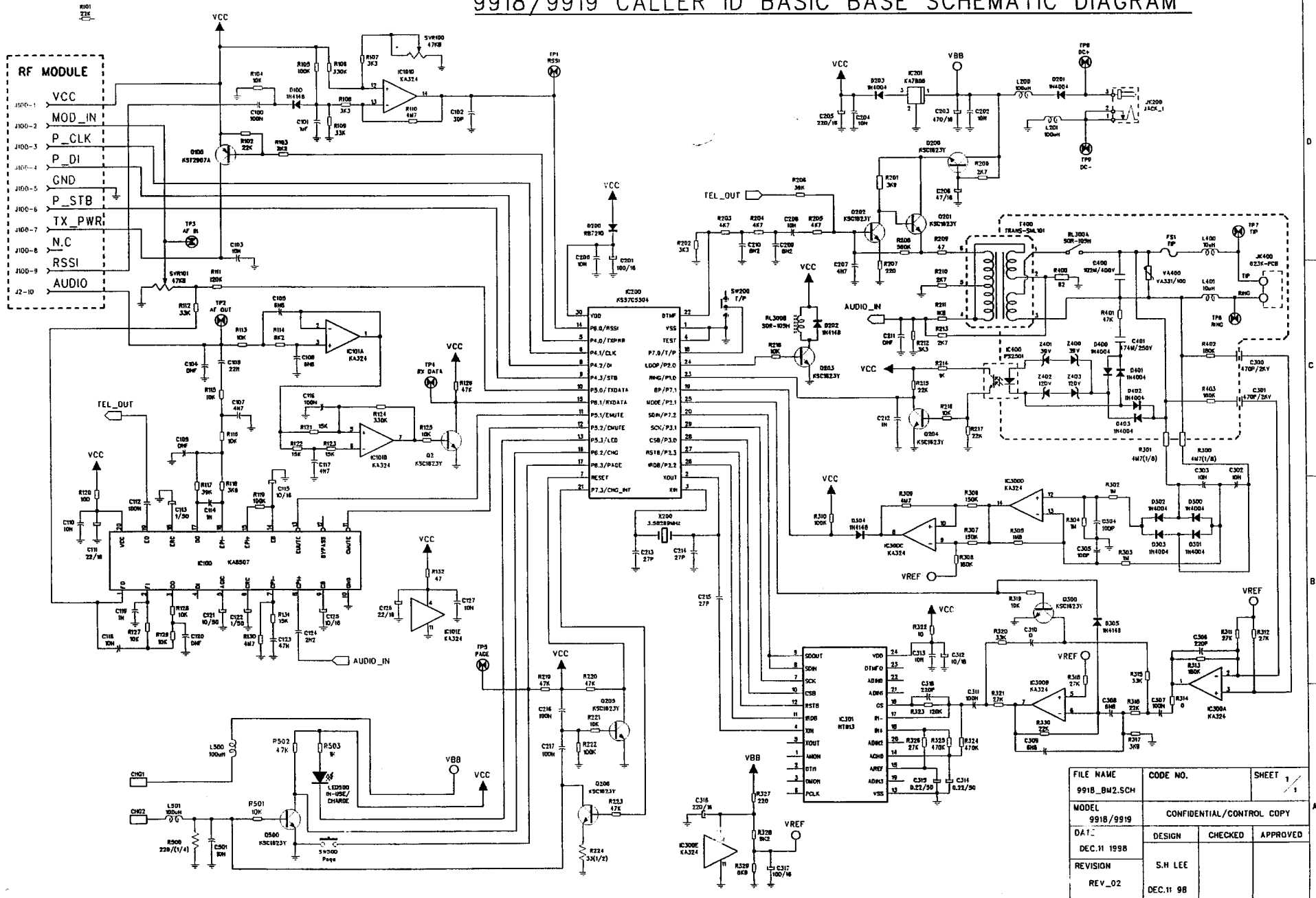


9918/9919 HANDSET KEY SCHEMATIC DIAGRAM

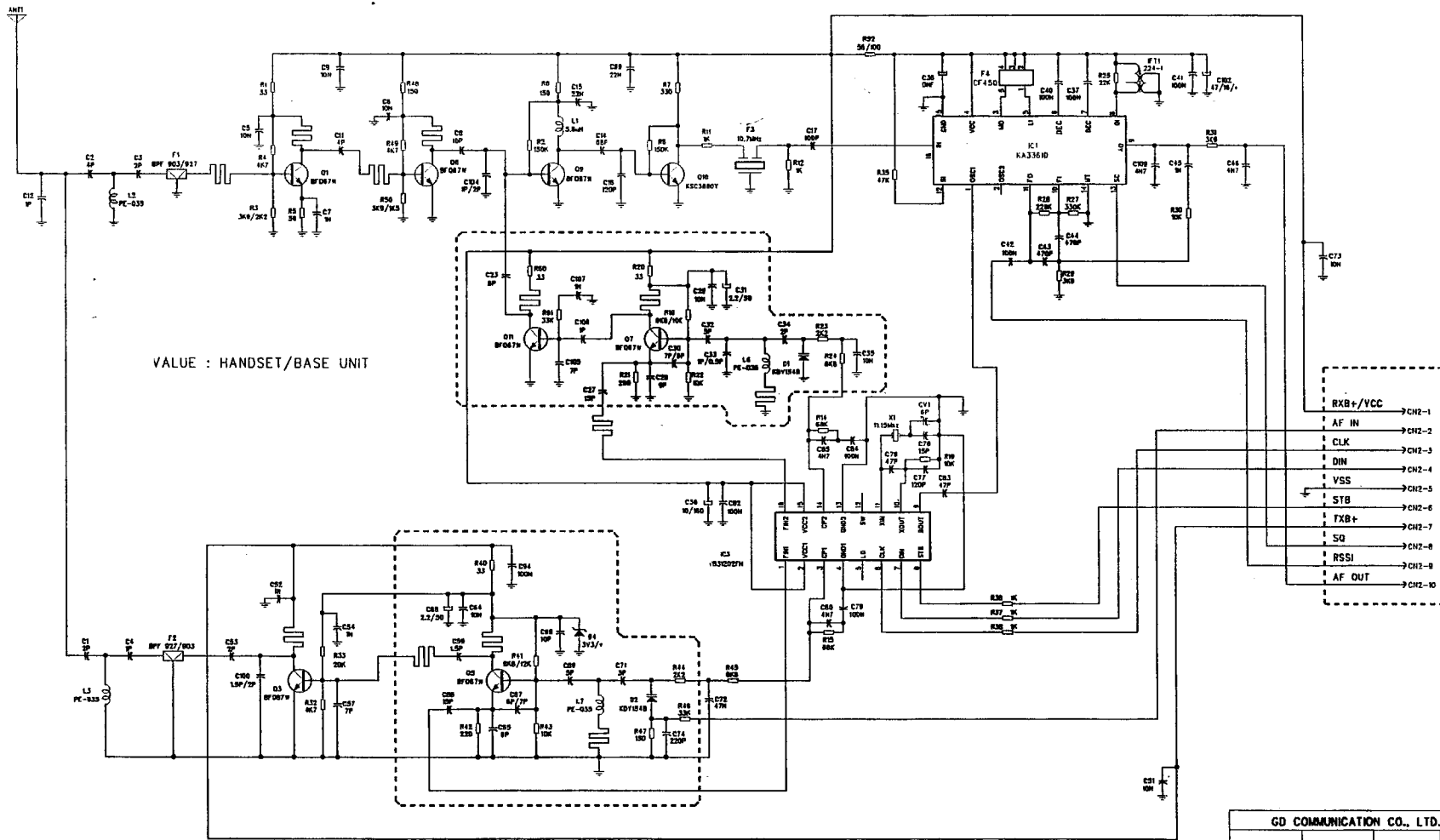


FILE NAME	CODE NO.	SHEET 1 / 1	
MODEL	CONFIDENTIAL/CONTROL COPY		
DATE	DESIGN	CHECKED	APPROVED
REVISION	S.H LEE		
REV_02	DEC.11 98		

# 9918/9919 CALLER ID BASIC BASE SCHEMATIC DIAGRAM



FILE NAME	CODE NO.	SHEET 1 / 1
9918_BM2.SCH		
MODEL	CONFIDENTIAL/CONTROL COPY	
9918/9919		
DATE	DESIGN	CHECKED
DEC.11 1998		
REVISION	S.H LEE	
REV_02	DEC.11 98	



VALUE : HANDSET/BASE UNIT

GD COMMUNICATION CO., LTD.			
DESIGN	DRAWING	CHECKED	APPROVED
TITLE : MODEL : 9919/9919 H/S & B/S RF MODULE			
SIZE C	DOCUMENT NUMBER	REV 0	
DATE : FEB. 24, 1999		SHEET 1 of 1	