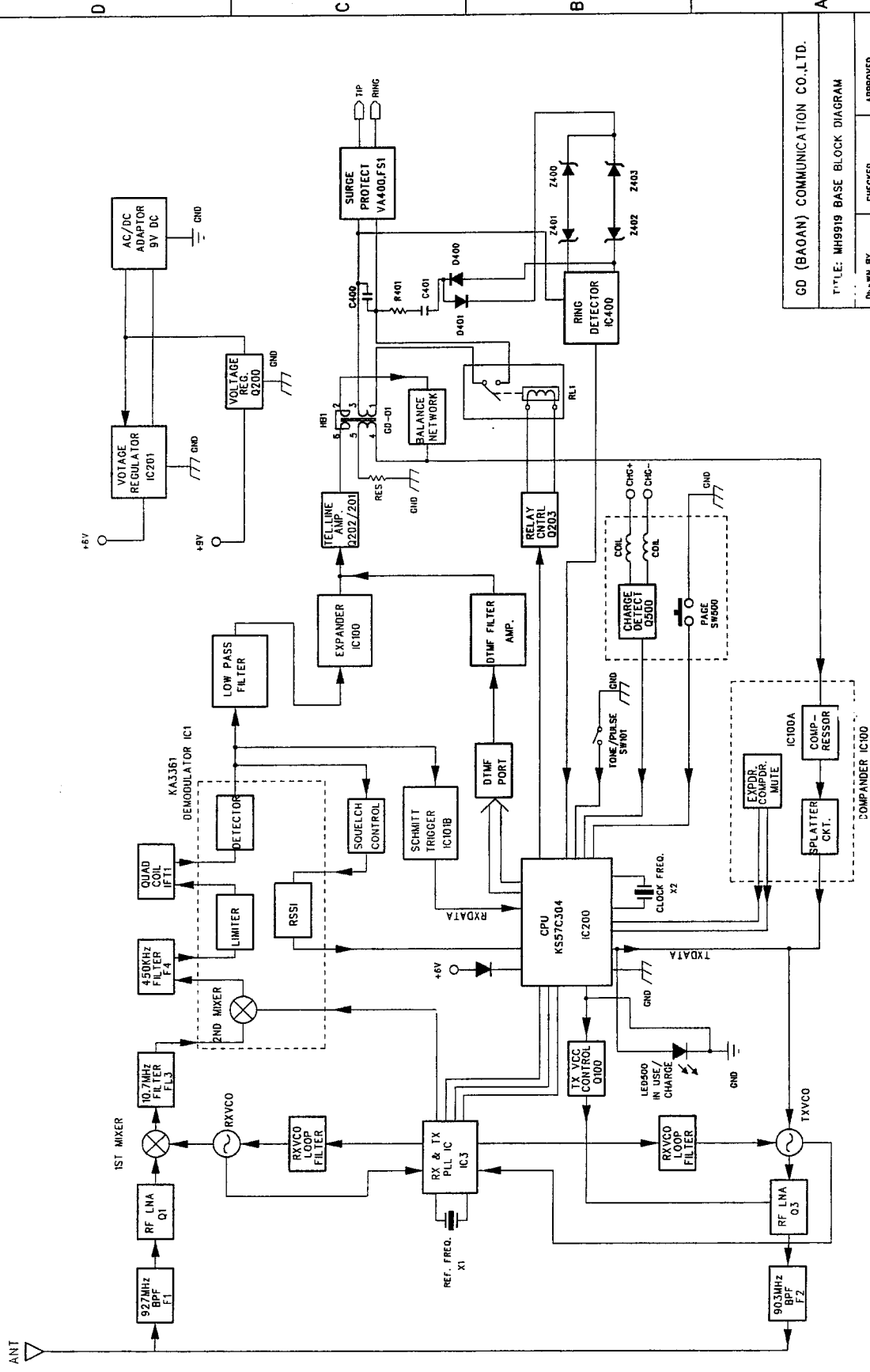
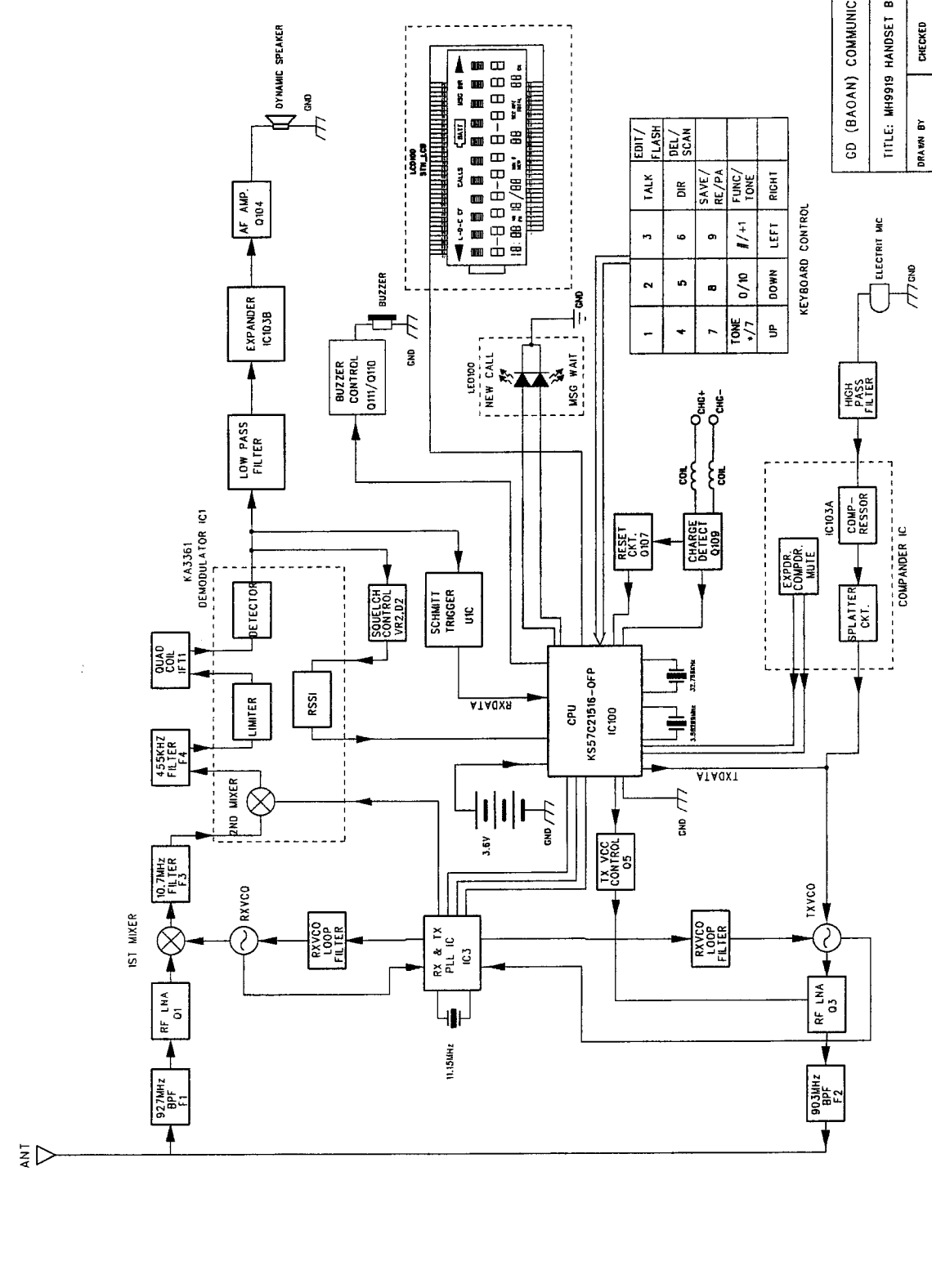


1 2 3 4 5 6



GD (BAOAN) COMMUNICATION CO.,LTD.			
TITLE: MH9919 BASE BLOCK DIAGRAM			
DESIGNED BY	CHECKED	APPROVED	
MAN CORONA			
DATE: 1/22/98	PAGE: 1a/1	REV: 01	

6 5 4 3 2 1



1	2	3	TALK	EDIT / FLASH
4	5	6	DIR	DEL / SCAN
7	8	9	SAVE / RE / PA	
			FUNC / TONE	
	UP	DOWN	LEFT	RIGHT

GD (BAGAN) COMMUNICATION CO.,LTD.
 TITLE: MH9919 HANDSET BLOCK DIAGRAM
 DRAWN BY: DAN CORONIA
 CHECKED: APPROVED
 DATE: 1/22/98
 PAGE: 16/17
 REV: 01