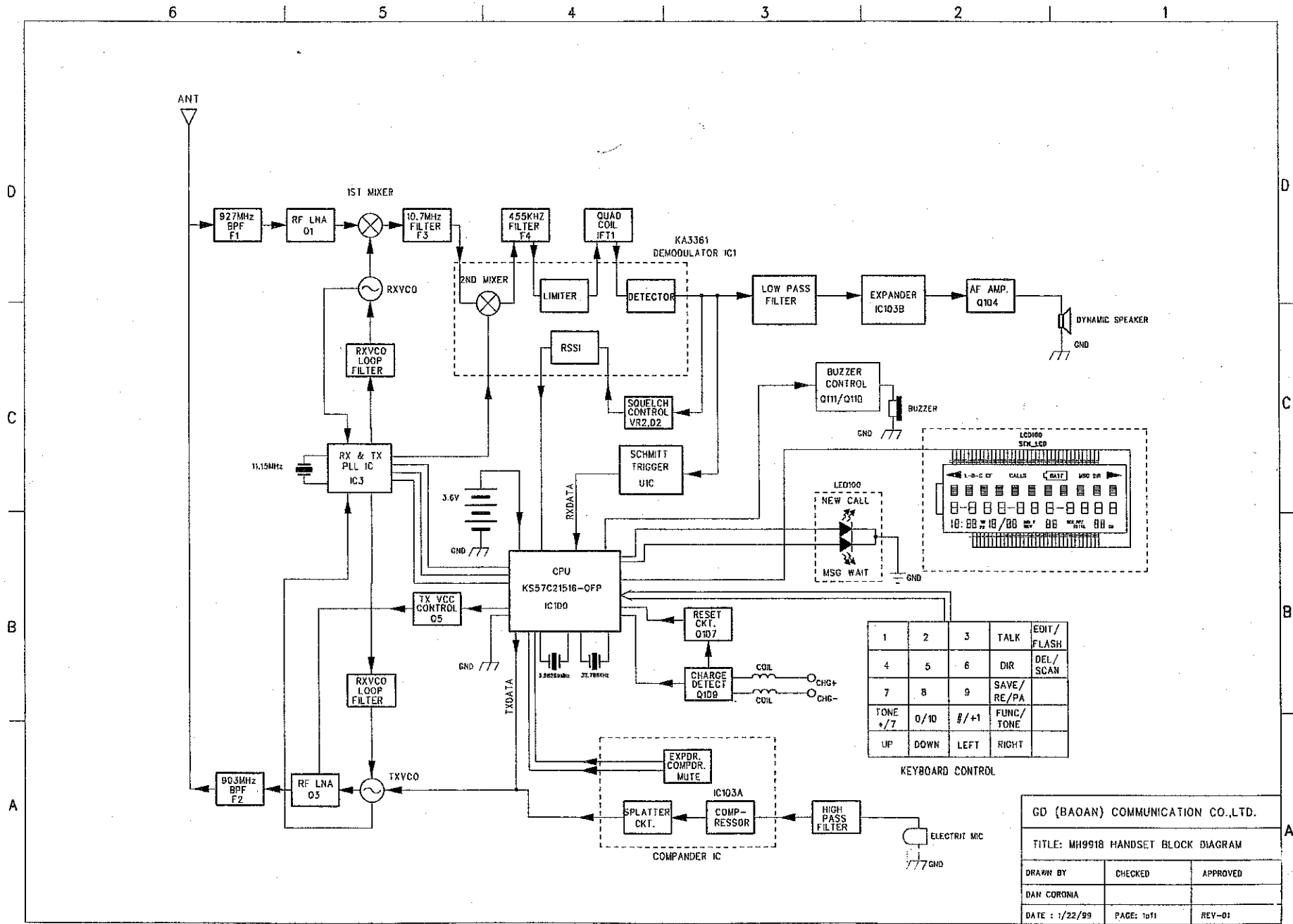


GD (BADAN) COMMUNICATION CO.,LTD.

TITLE: MH991B F. 5E BLOCK DIAGRAM

DRAWN BY	CHECKED	APPROVED
DAN CORONIA		
DATE : 1/22/99	PAGE: 1o11	REV-01



1	2	3	TALK	EDIT / FLASH
4	5	6	DIR	DEL / SCAN
7	8	9	SAVE / RE / PA	
0	*/7	#/+1	FUNC / TONE	
UP	DOWN	LEFT	RIGHT	

KEYBOARD CONTROL

GD (BAOAN) COMMUNICATION CO.,LTD.

TITLE: MH9918 HANDSET BLOCK DIAGRAM

DRAWN BY	CHECKED	APPROVED
DAN CORONIA		
DATE : 1/22/99	PAGE: 1of1	REV-01