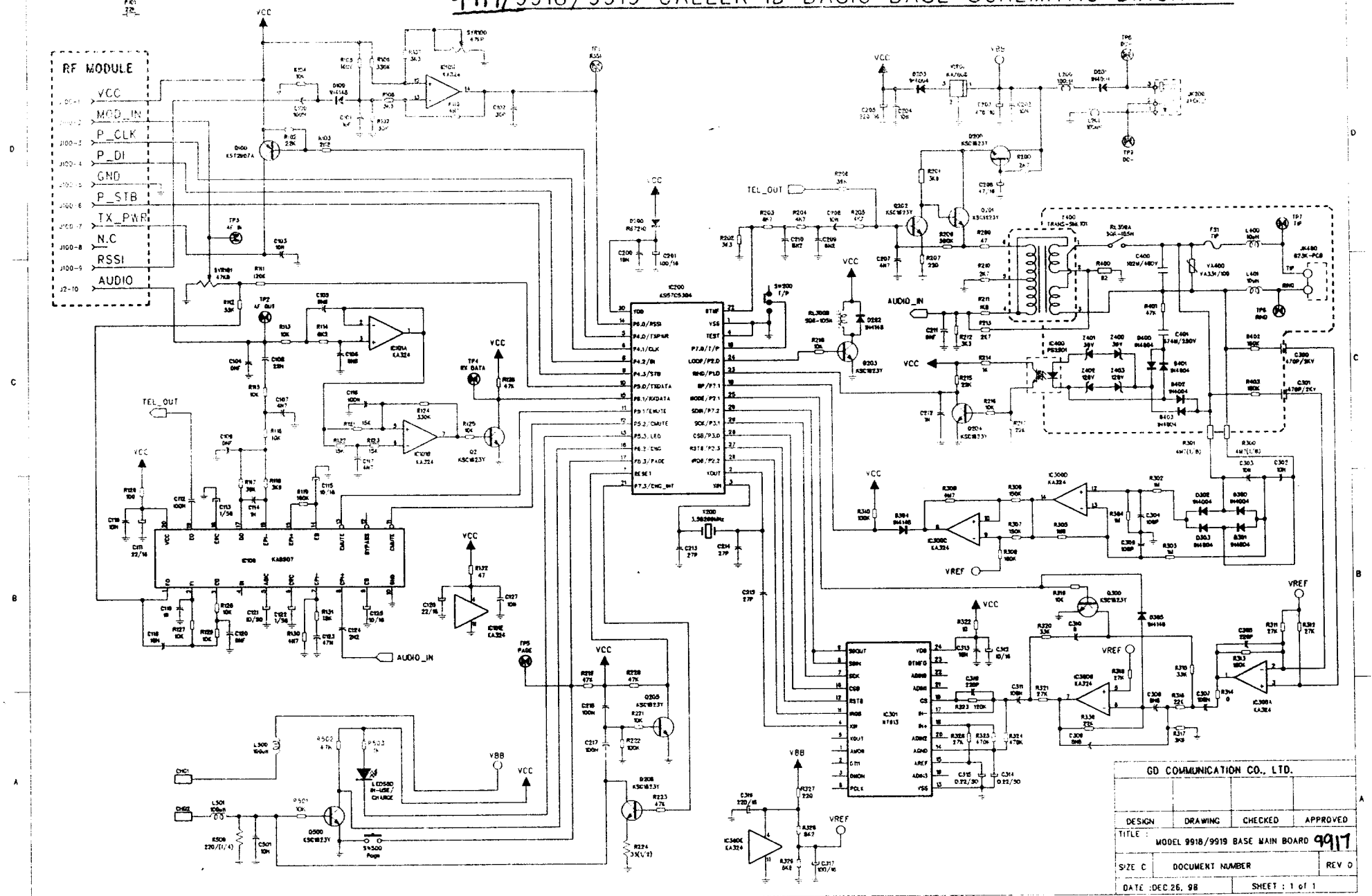


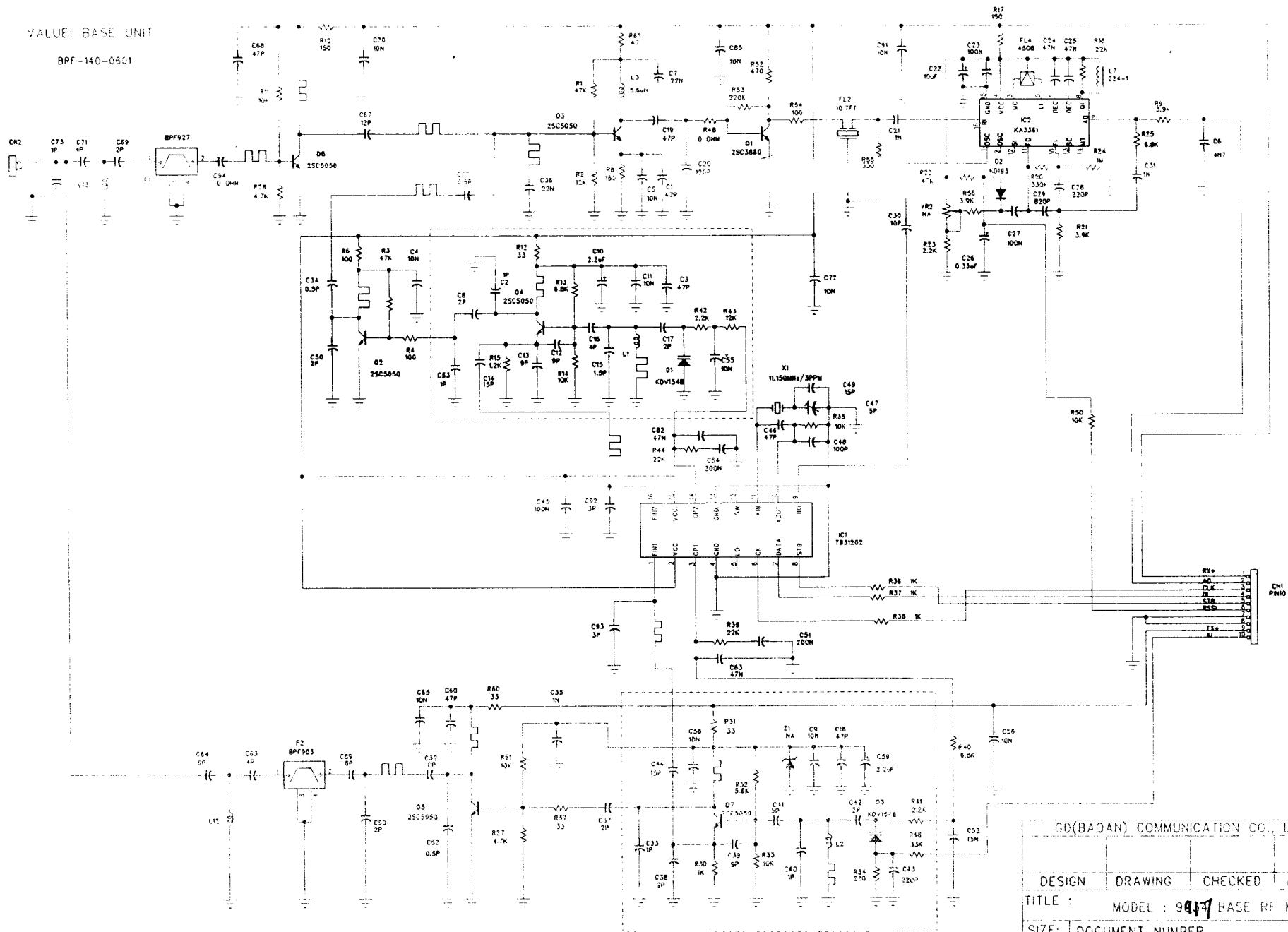
# 9917/9918/9919 CALLER ID BASIC BASE SCHEMATIC DIAGRAM



GD COMMUNICATION CO., LTD.			
DESIGN	DRAWING	CHECKED	APPROVED
TITLE: MODEL 9918/9919 BASE MAIN BOARD <b>9917</b>			
SIZE C		DOCUMENT NUMBER	REV 0
DATE: DEC. 26, 98		SHEET: 1 of 1	

VALUE: BASE UNIT

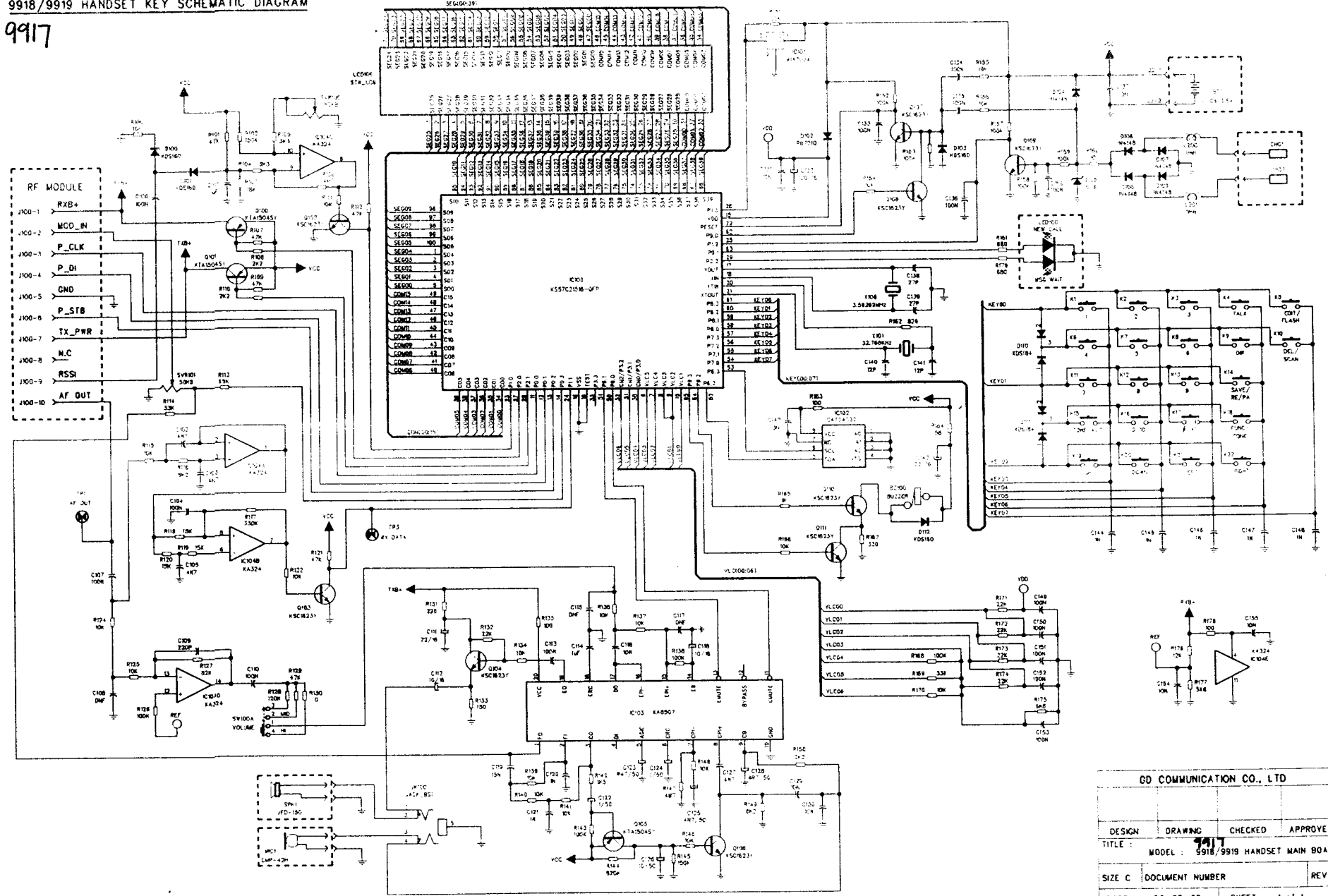
BRF-140-0601



GD(BAON) COMMUNICATION CO., LTD.			
DESIGN	DRAWING	CHECKED	APPROVED
TITLE : MODEL : 9917 BASE RF MODULE			
SIZE : C	DOCUMENT NUMBER		REV 02
DATE : 03.31.99	SHEET: 3 OF 3		

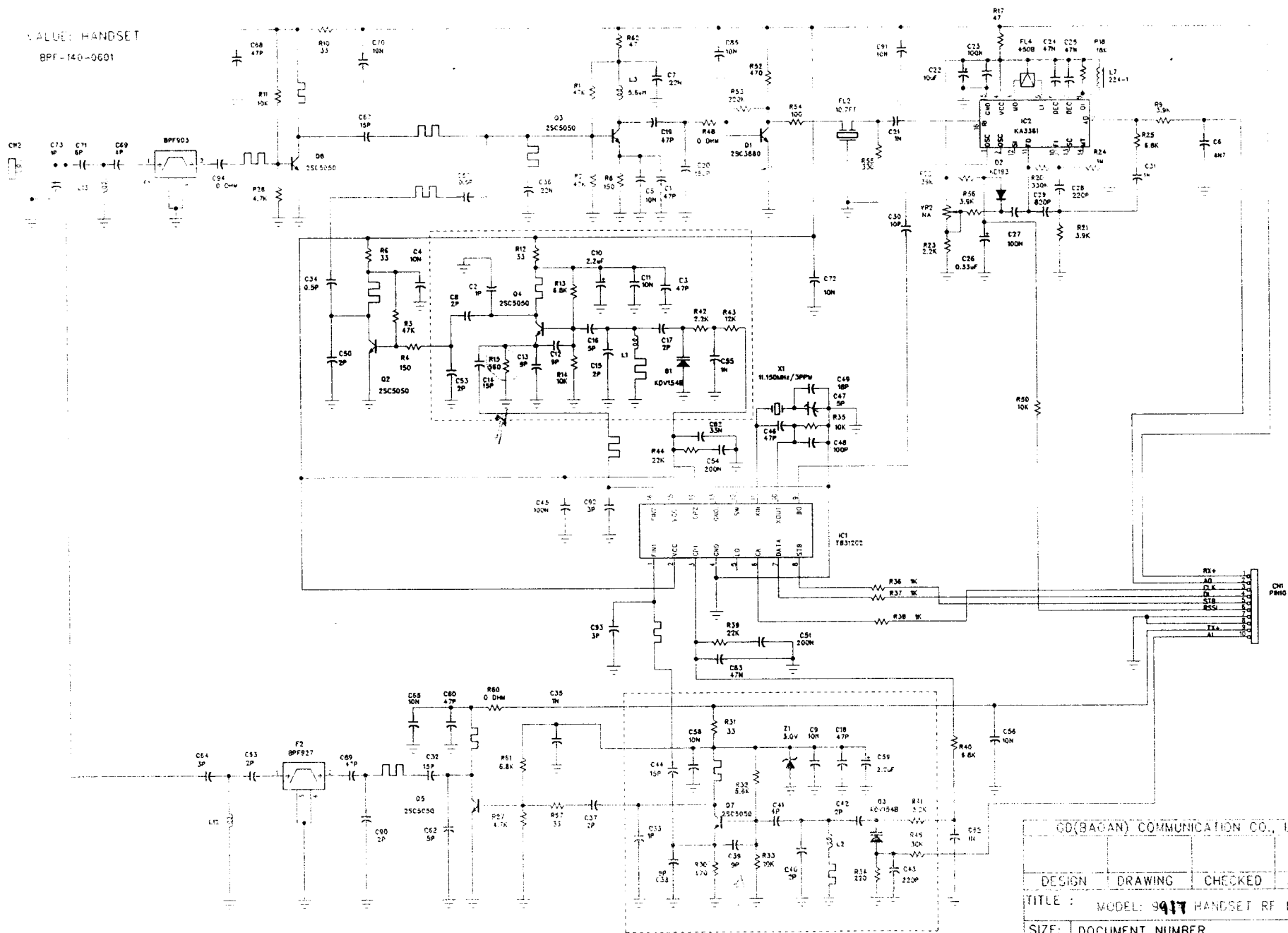
9918/9919 HANDSET KEY SCHEMATIC DIAGRAM

9917



GD COMMUNICATION CO., LTD			
DESIGN	DRAWING	CHECKED	APPROVED
TITLE : MODEL : 9918/9919 HANDSET MAIN BOARD			
SIZE C		DOCUMENT NUMBER	REV D
DATE : 02.26.98	SHEET		1 of 1

VALUE: HANDSET  
BPF-140-0601



GD(BAGAN) COMMUNICATION CO., LTD.

DESIGN	DRAWING	CHECKED	APPROVED
TITLE : MODEL: 9917 HANDSET RF MODULE			
SIZE: C	DOCUMENT NUMBER	REV 02	
DATE: 03.31.99	SHEET: 2 OF 2		