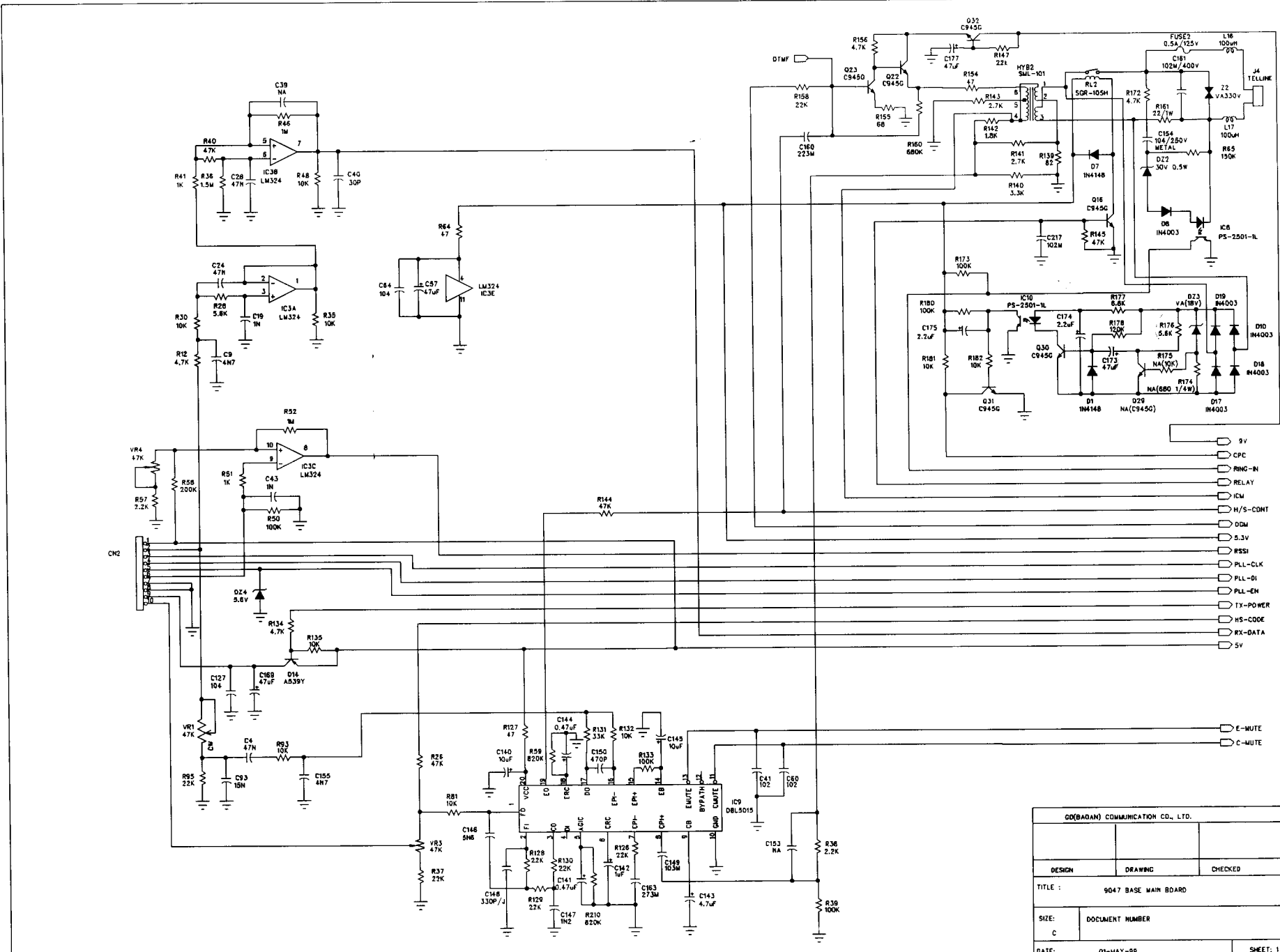
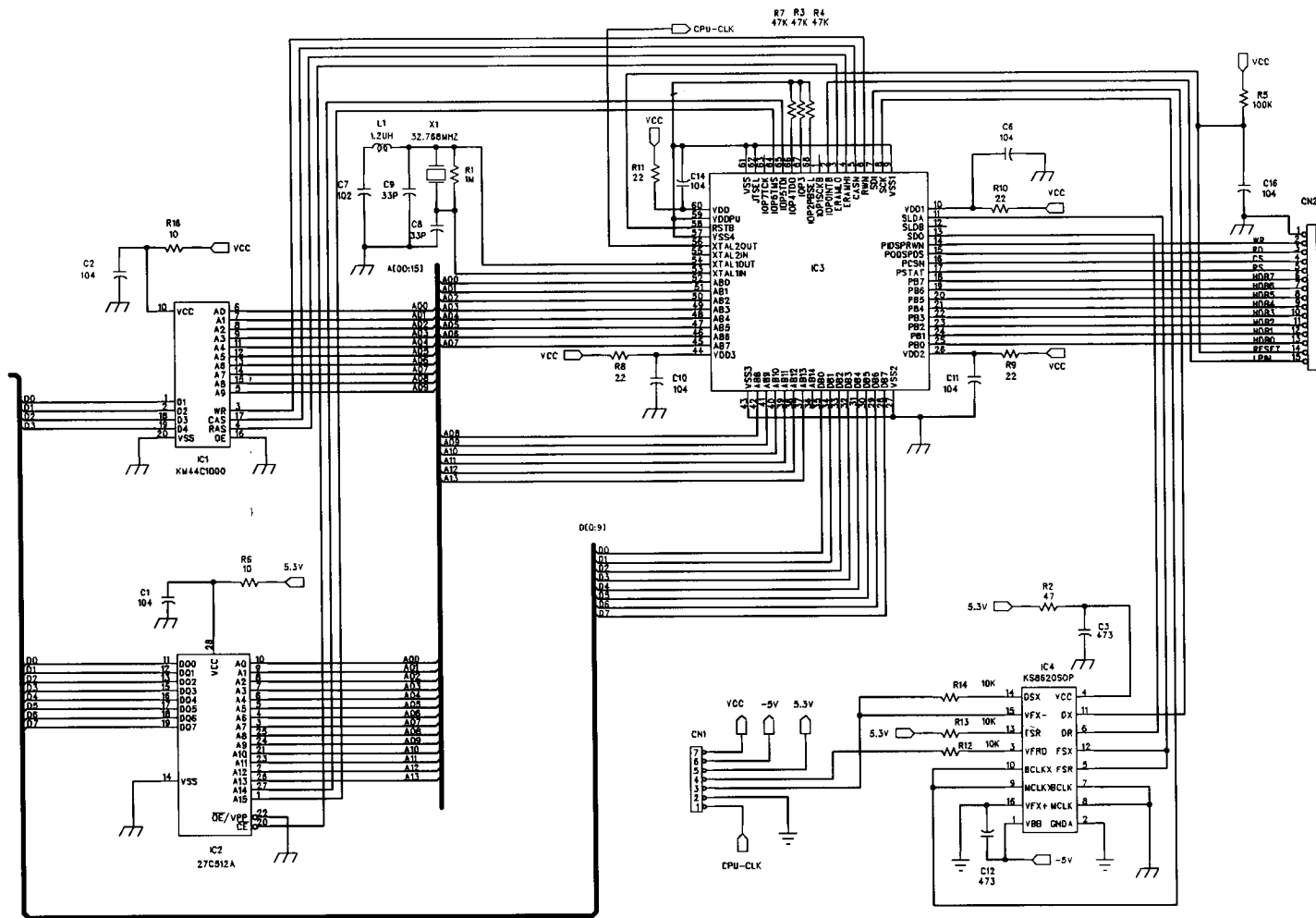


GD(BA0AH) COMMUNICATION CO., LTD.			
DESIGN	DRAWING	CHECKED	APPROVED
TITLE : 904 JASE MAIN BOARD			
SIZE : C	DOCUMENT NUMBER		REV PD
DATE : 01-MAY-99			SHEET: 2 OF 2

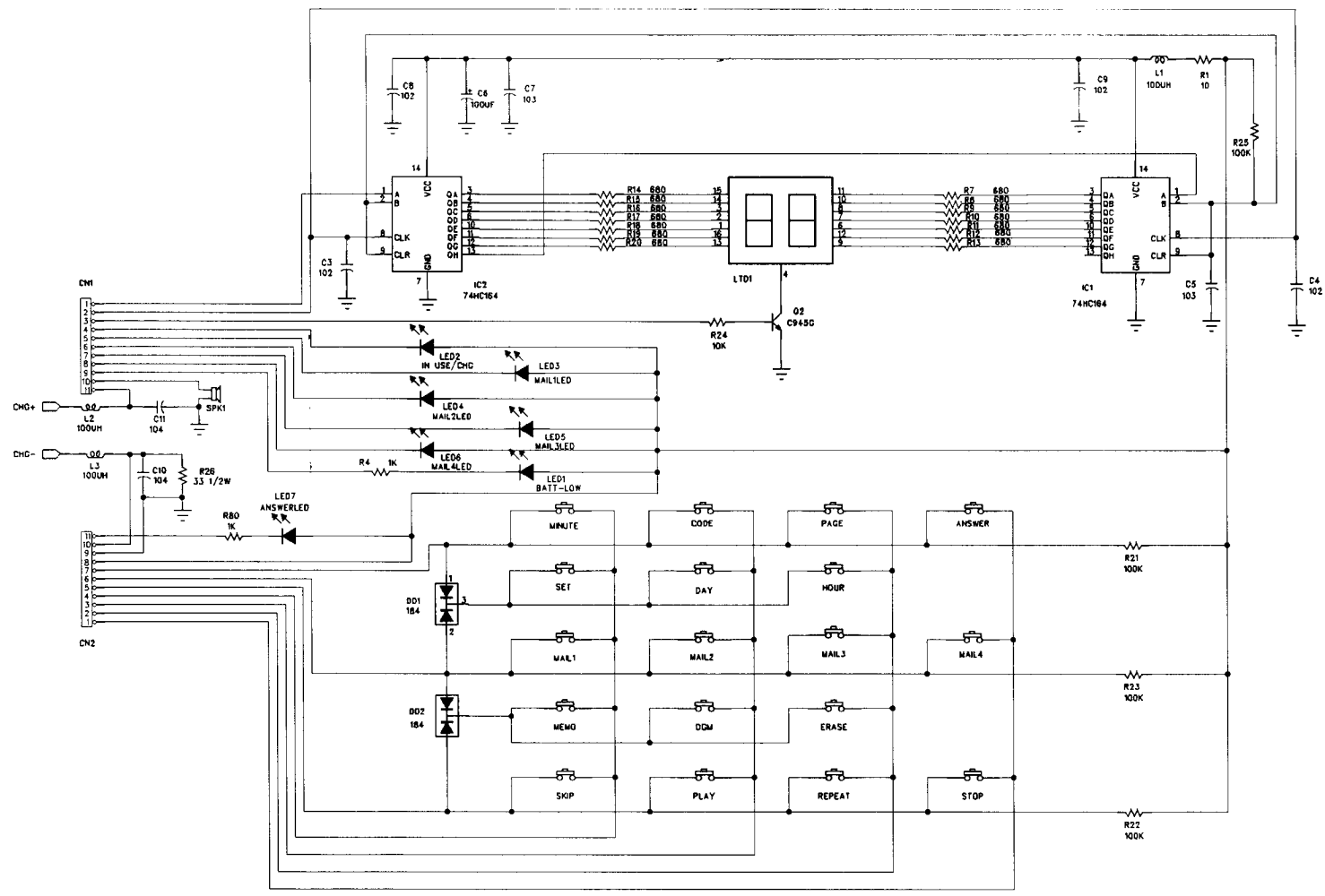


- 9V
- CPC
- RING-IN
- RELAY
- ICM
- H/S-CDMT
- DDM
- 5.3V
- RSSI
- PLL-CLK
- PLL-DI
- PLL-EN
- FX-POWER
- HS-CODE
- KX-DATA
- 5V

GD(BADAN) COMMUNICATION CO., LTD.			
DESIGN	DRAWING	CHECKED	APPROVED
TITLE : 9047 BASE MAIN BOARD			
SIZE: C	DOCUMENT NUMBER		REV PO
DATE: 01-MAY-99			SHEET: 1 OF 2



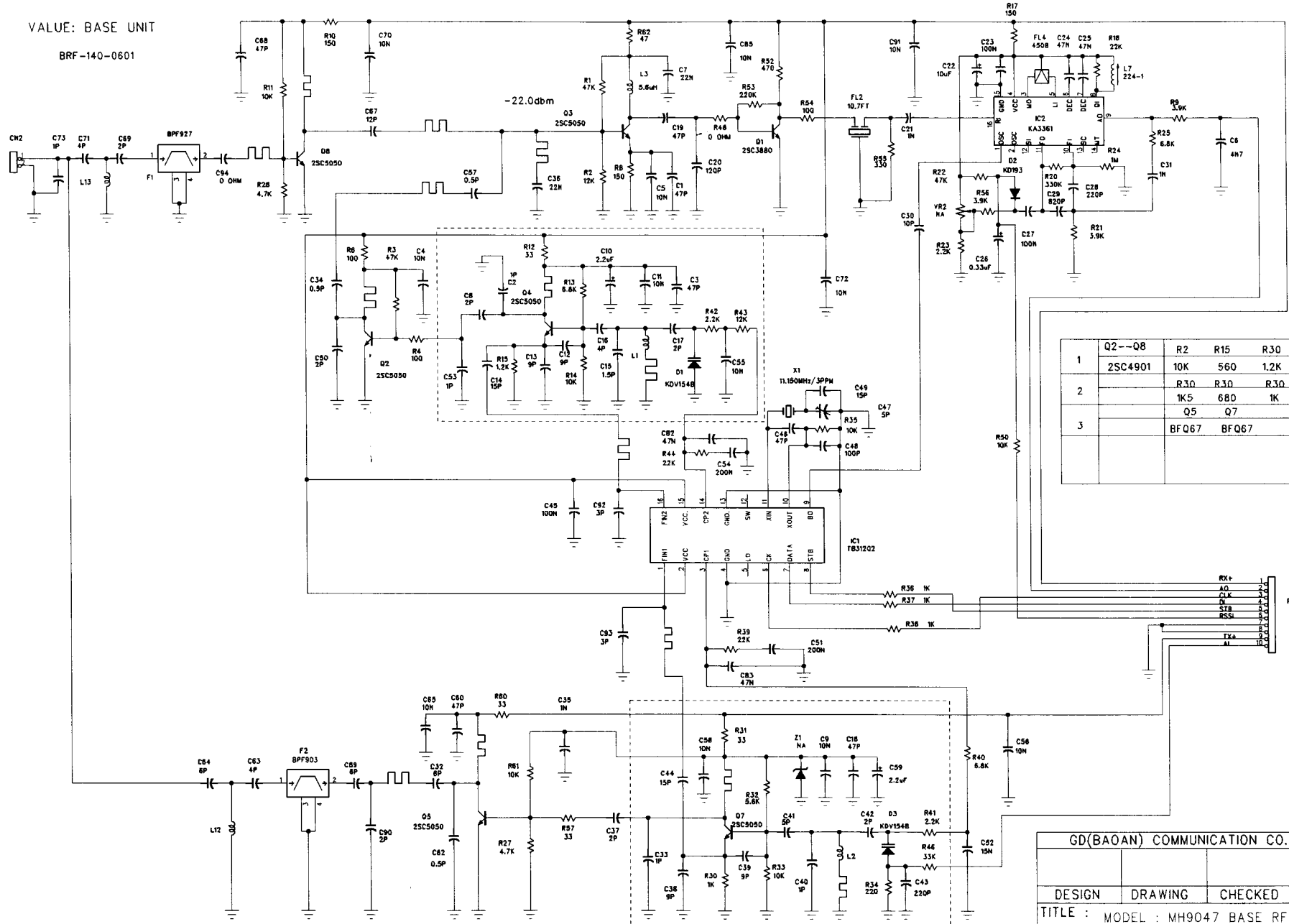
GD(BAOGAN) COMMUNICATION CO., LTD.			
DESIGN	DRAWING	CHECKED	APPROVED
TITLE : 9047 BASE DPS BOARD			
SIZE: C	DOCUMENT NUMBER		REV PO
DATE: 01-MAY-99		SHEET: 1 OF 1	



GD(BAON) COMMUNICATION CO., LTD.			
DESIGN	DRAWING	CHECKED	APPROVED
TITLE : 9047 BASE LED BOARD			
SIZE: C	DOCUMENT NUMBER		REV PO
DATE: 01-MAY-99			SHEET: 1 OF 1

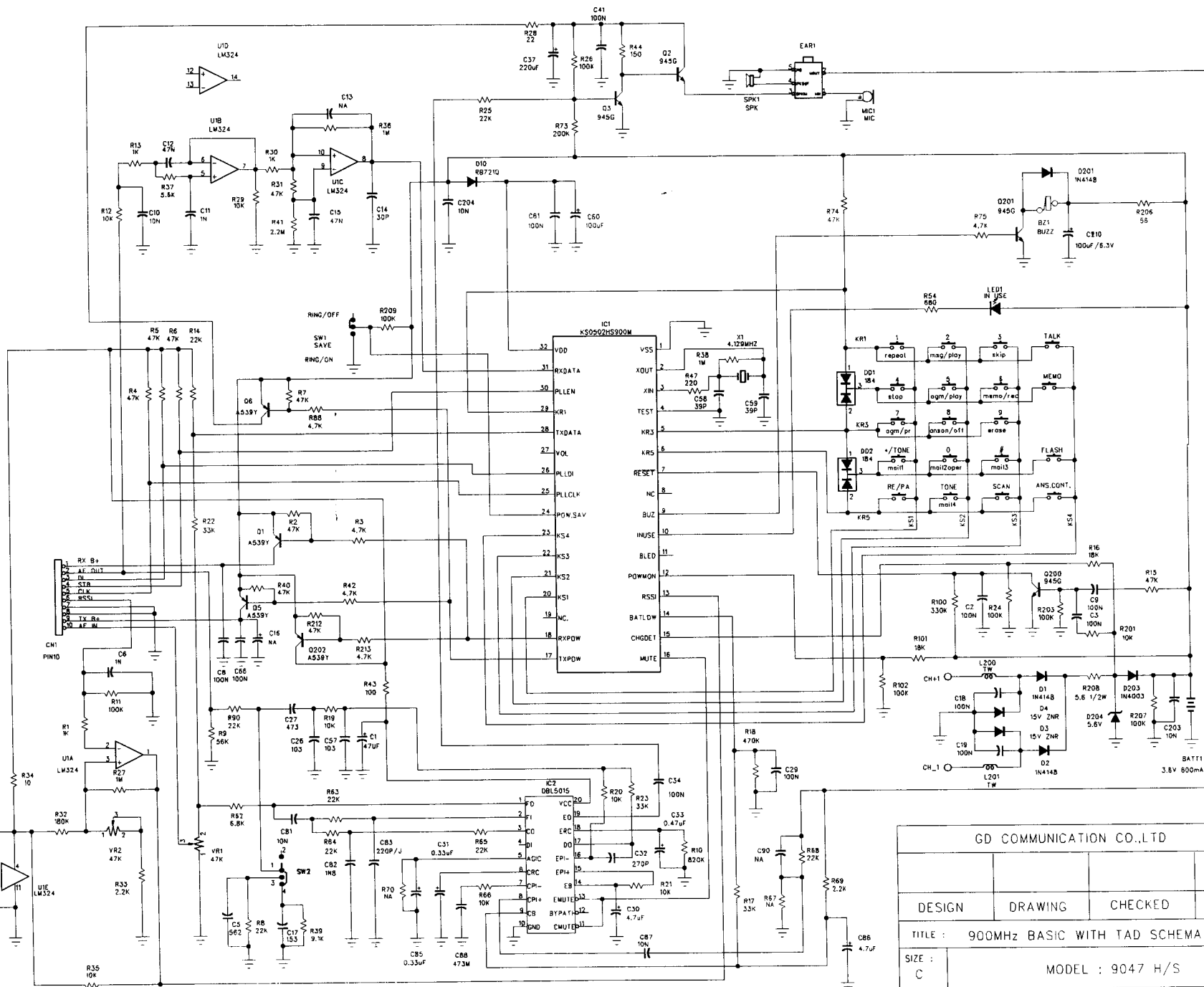
VALUE: BASE UNIT

BRF-140-0601



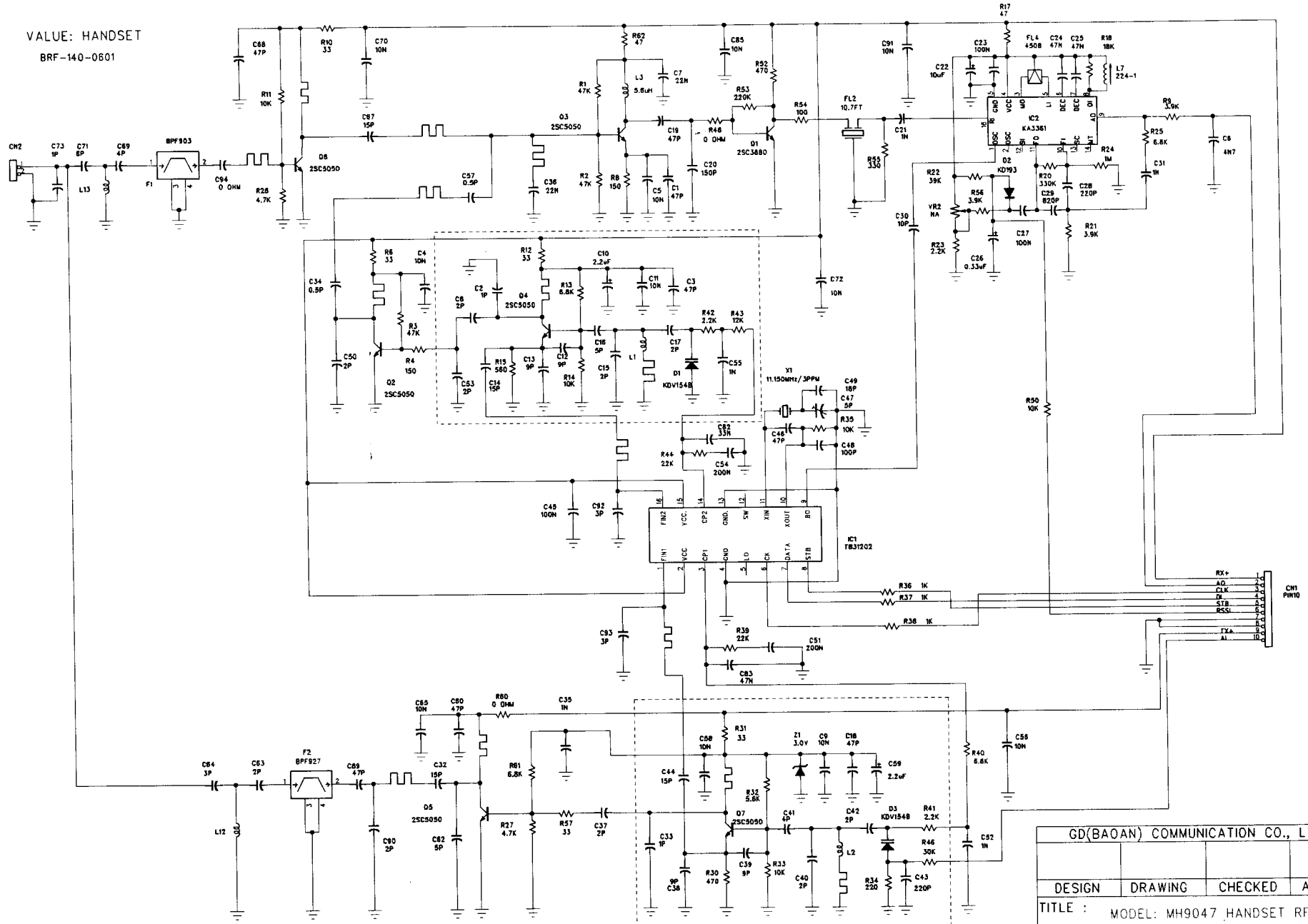
	Q2--Q8	R2	R15	R30	REMARK
1	2SC4901	10K	560	1.2K	
2		R30	R30	R30	
		1K5	680	1K	RED POW
3		Q5	Q7		
		BFQ67	BFQ67		

GD(BAOAN) COMMUNICATION CO., LTD.			
DESIGN	DRAWING	CHECKED	APPROVED
TITLE : MODEL : MH9047 BASE RF MODULE			
SIZE: C	DOCUMENT NUMBER		REV 02
DATE: MAY 10, 1999			SHEET: 1 OF 1



GD COMMUNICATION CO.,LTD			
DESIGN	DRAWING	CHECKED	APPROVED
TITLE : 900MHZ BASIC WITH TAD SCHEMATIC			
SIZE : C	MODEL : 9047 H/S		REV 0
DATE: 05.10.99		SHEET: 1 OF 2	

VALUE: HANDSET
BRF-140-0801



GD(BAON) COMMUNICATION CO., LTD.			
DESIGN	DRAWING	CHECKED	APPROVED
TITLE : MODEL: MH9047 HANDSET RF MODULE			
SIZE: C	DOCUMENT NUMBER		REV 02
DATE: MAY 10, 1999		SHEET: 2 OF 2	