

GD(BAON) COMMUNICATION CO., LTD.			
DESIGN	DRAWING	CHECKED	APPROVED
TITLE : 900MHz MULTI CORDLESS PHONE			
SIZE: C	DOCUMENT NUMBER	MODEL: 9034B/S	REV 0
DATE: 07.31.99			SHEET: 1 OF 3

6

5

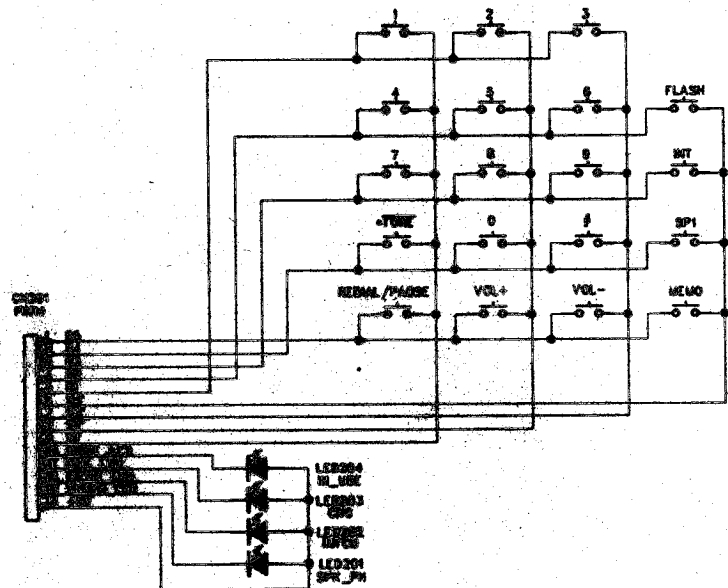
4

3

2

1

REVISION RECORD			
LTR	ECO NO:	APPROVED:	DATE:



COMPANY:			
<b>GO (BAOAN) COMMUNICATION CO., LTD.</b>			
TITLE:			
<b>900MHZ SPEAKERPHONE SCHEMATIC DIAGRAM (BELLSOUTH)</b>			
CODE:	SIZE:	DRAWING NO:	REV:
9034BD2	A3	BASE DIAL SCHEMATIC	0
SCALE:			SHEET: 2 OF 3

DESIGNED:	DATE:
Jerry V.	03.31.99
CHECKED:	DATE:
QUALITY CONTROL:	DATE:
RELEASED:	DATE:

D

C

B

A

D

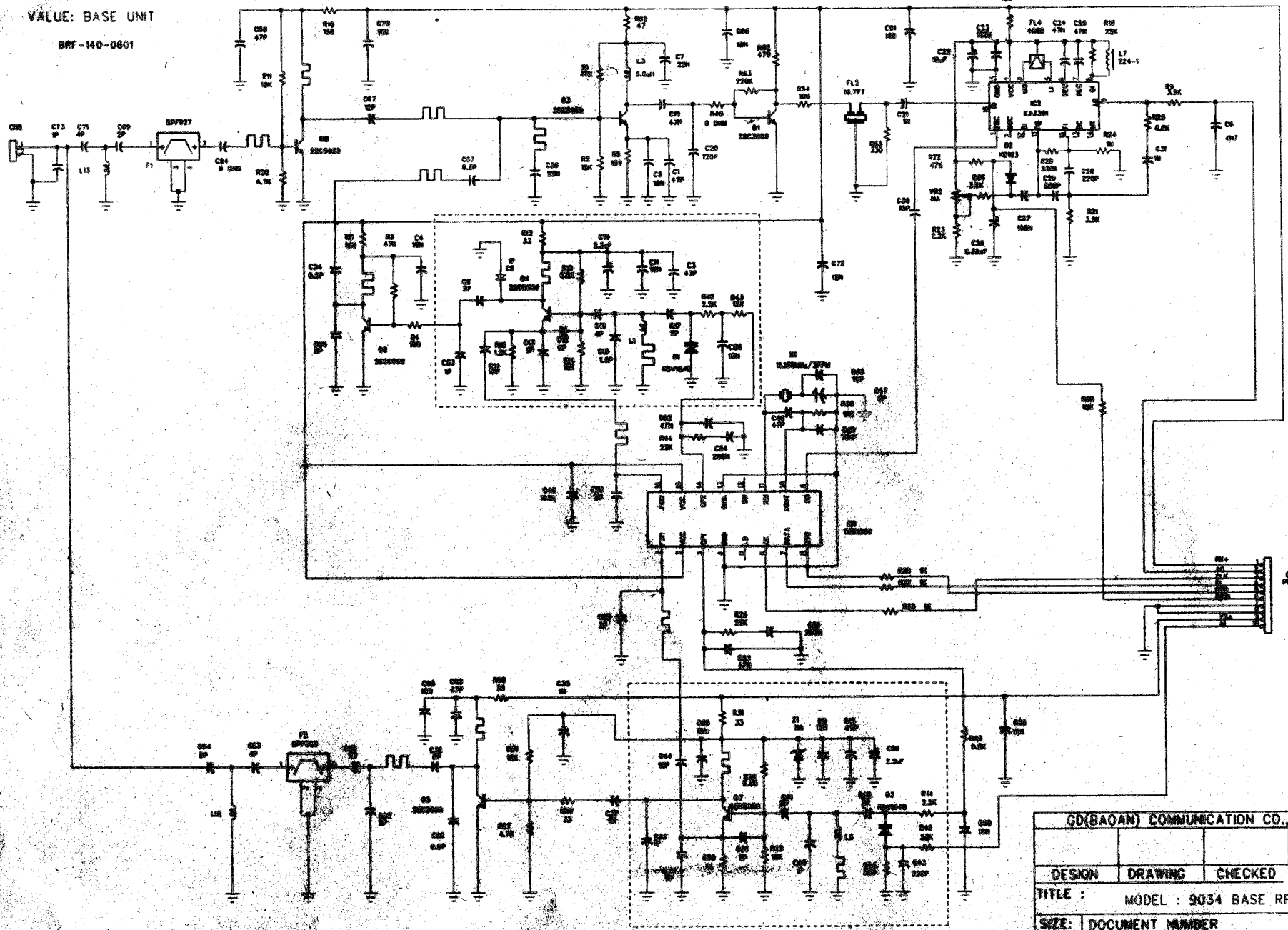
C

B

A

VALUE: BASE UNIT

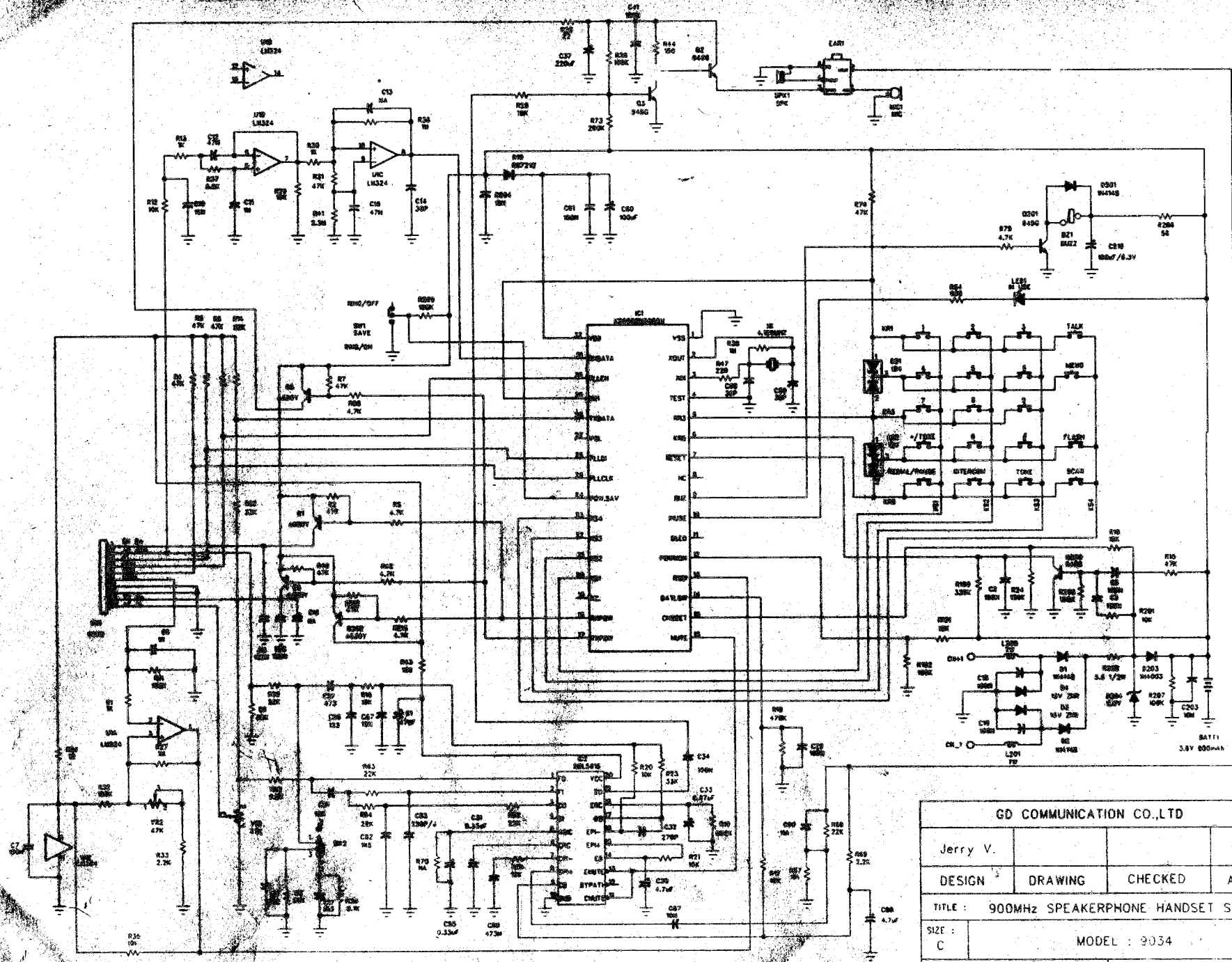
BRF-140-0601



GD(BAQAAN) COMMUNICATION CO., LTD.			
DESIGN	DRAWING	CHECKED	APPROVED
TITLE : MODEL : 9034 BASE RF MODULE			
SIZE : C	DOCUMENT NUMBER		REV
03.31.99			02
03.31.99			SHEET: 3 OF 3

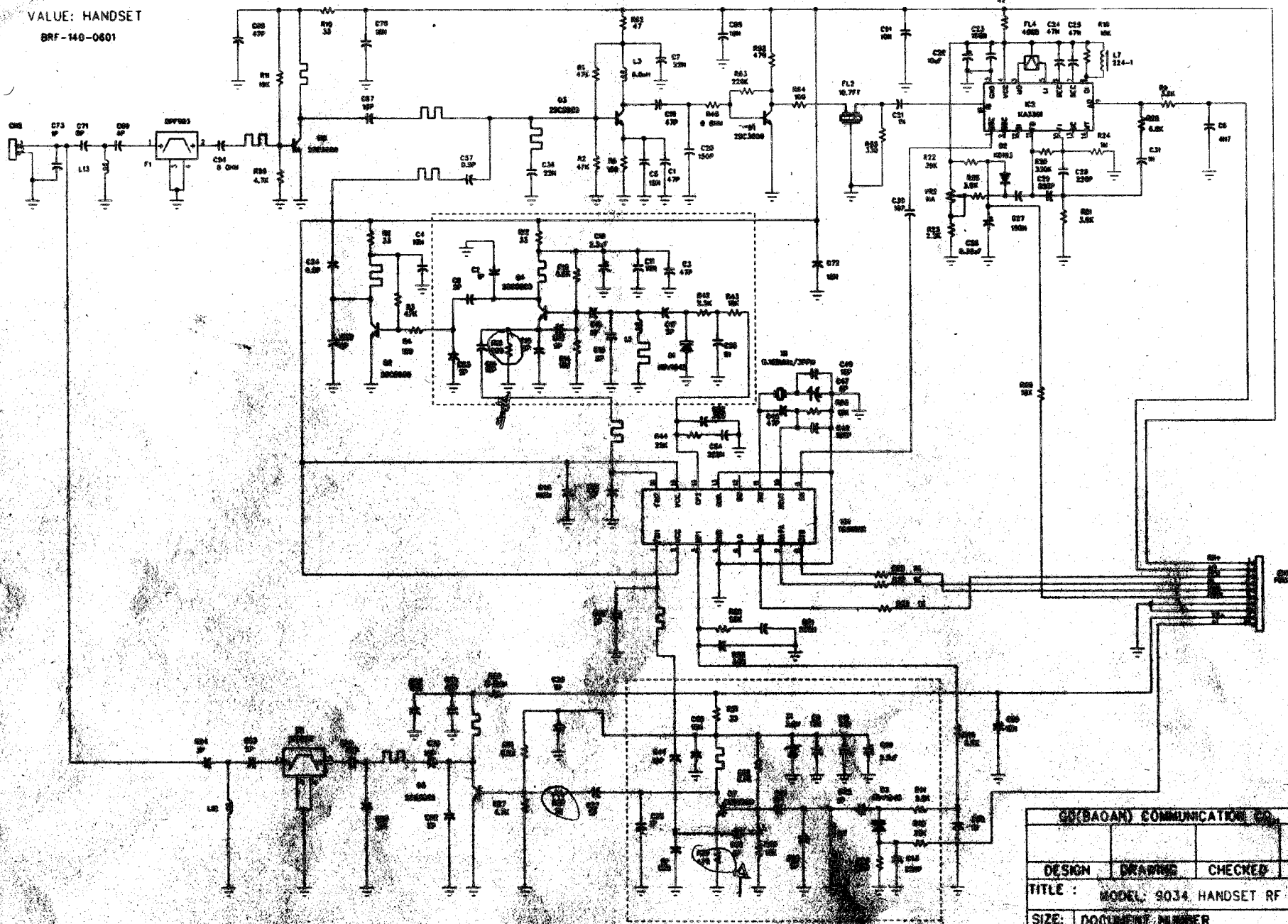
FC

Am2\_sch-1 - Mod No. 31 11:42:29 1999



GD COMMUNICATION CO.,LTD			
Jerry V.			
DESIGN	DRAWING	CHECKED	APPROVED
TITLE : 900MHZ SPEAKERPHONE HANDSET SCHEMATIC			
SIZE : C	MODEL : 9034		REV P0
DATE : 03.31.99		SHEET : 1 OF 2	

VALUE: HANDSET  
BRF-140-0601



GS(BAOK) COMMUNICATION CO. LTD.			
DESIGN	DRAWING	CHECKED	APPROVED
TITLE : MODEL: 9034 HANDSET RF MODULE			
SIZE: C	DOCUMENT NUMBER		REV 02
DATE: 05.08.99			SHEET: 2 OF 2