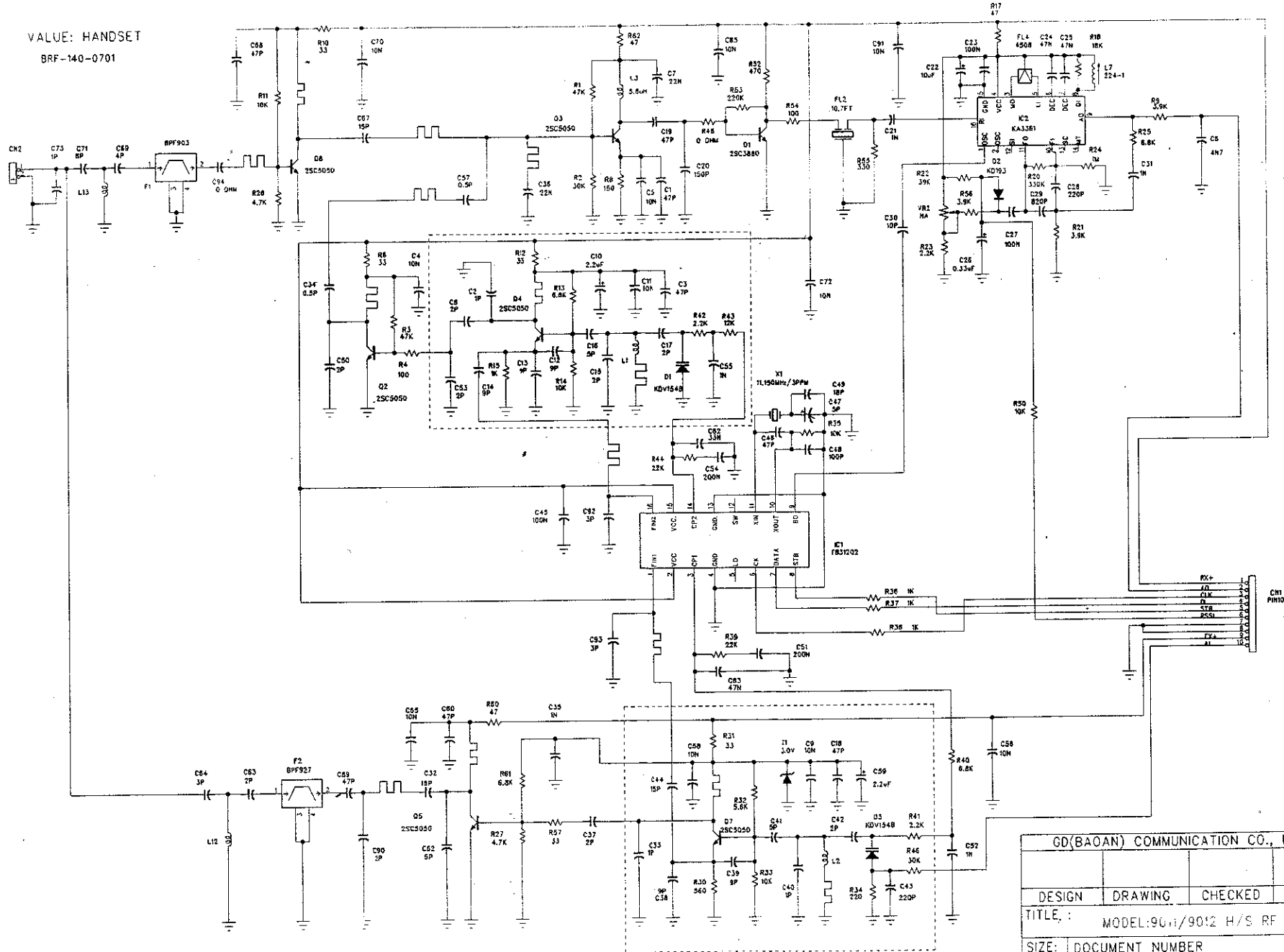
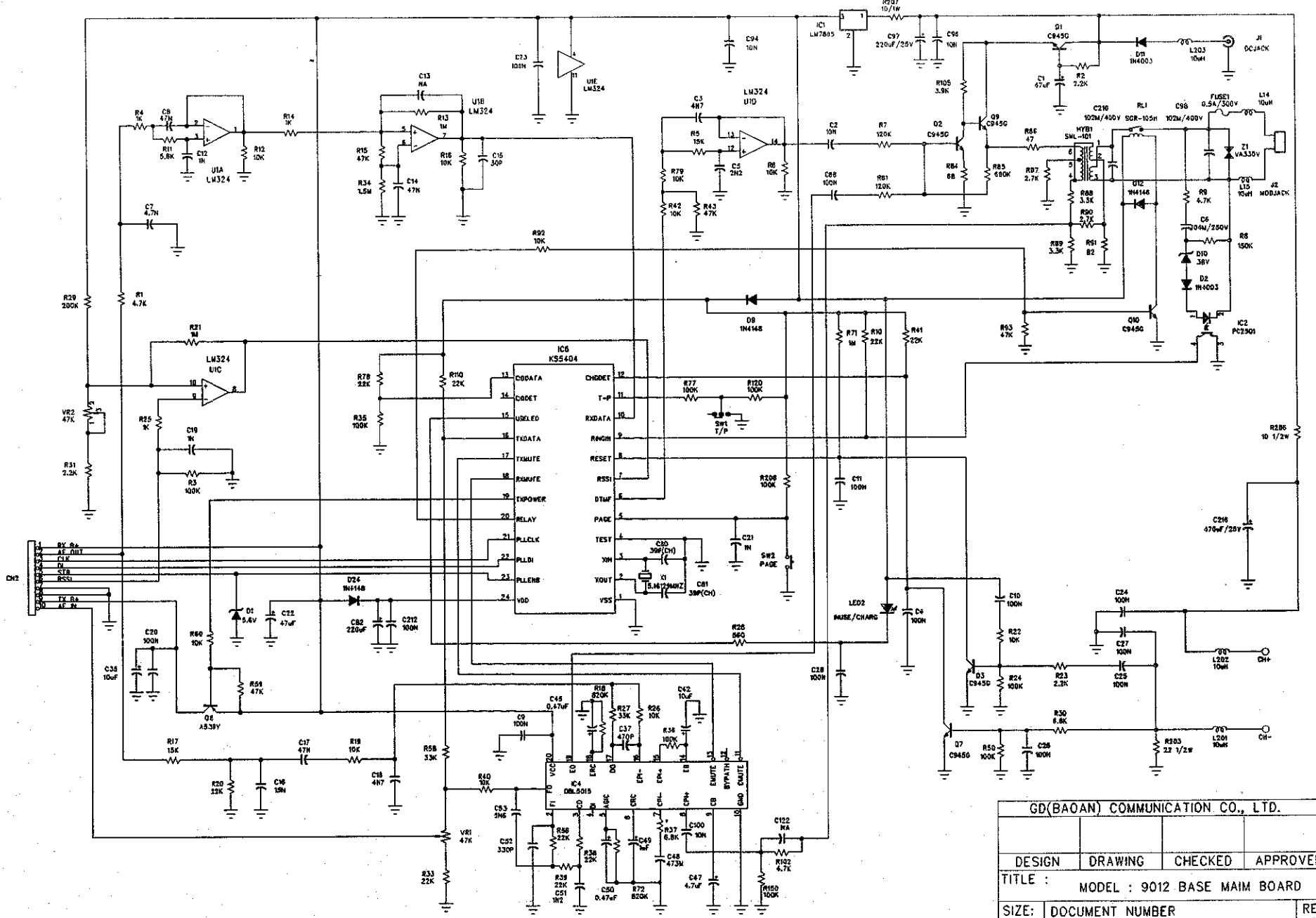


VALUE: HANDSET  
BRF-140-0701



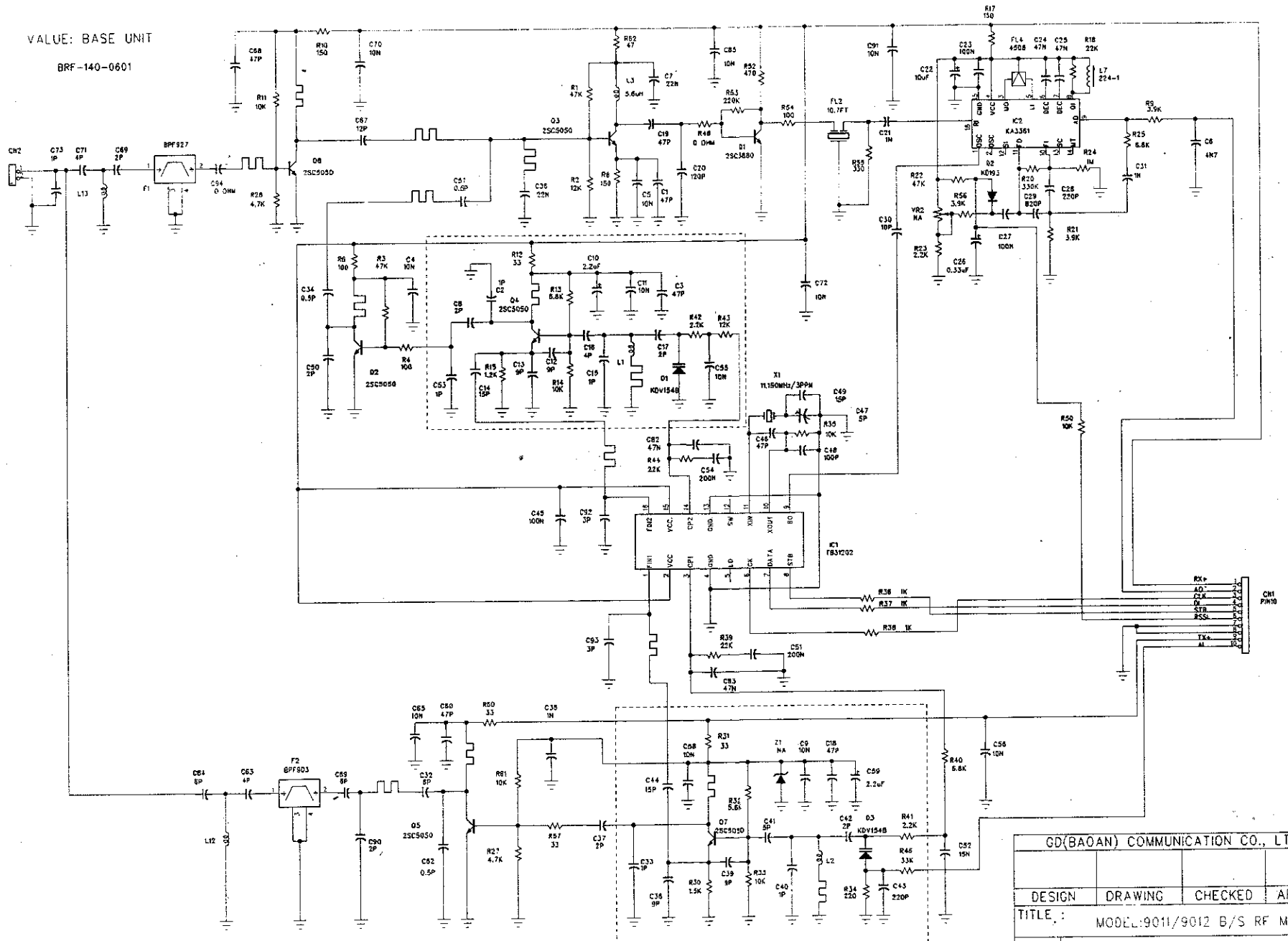
GD(BAON) COMMUNICATION CO., LTD.			
DESIGN	DRAWING	CHECKED	APPROVED
TITLE: MODEL:9011/9012 H/S RF MODULE			
SIZE: C	DOCUMENT NUMBER		REV 01
DATE:	DECEMBER-26-1995		SHEET: 1 OF 1



GD(BAOAN) COMMUNICATION CO., LTD.			
DESIGN	DRAWING	CHECKED	APPROVED
TITLE :		MODEL : 9012 BASE MAIN BOARD	
SIZE :	DOCUMENT NUMBER	REV	
C		D1	
DATE: 26-DEC-1998		SHEET: 1 OF 1	

VALUE: BASE UNIT

BRF-140-0601



GD(BAOAN) COMMUNICATION CO., LTD.			
DESIGN	DRAWING	CHECKED	APPROVED
TITLE: MODEL: 9011/9012 B/S RF MODULE			
SIZE: C	DOCUMENT NUMBER		REV 01
DATE:	DECEMBER-28-1998		SHEET: 1 OF 1