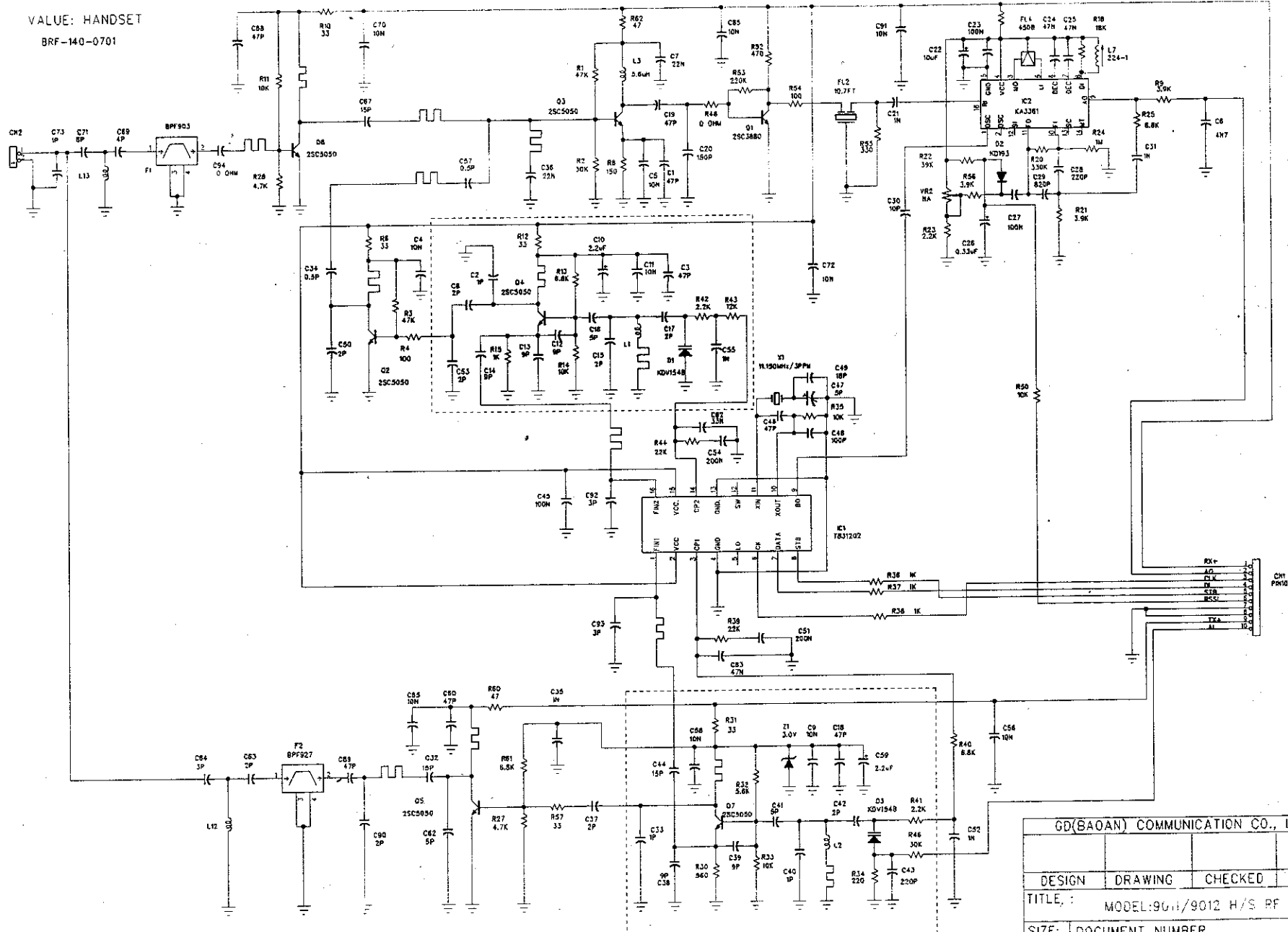
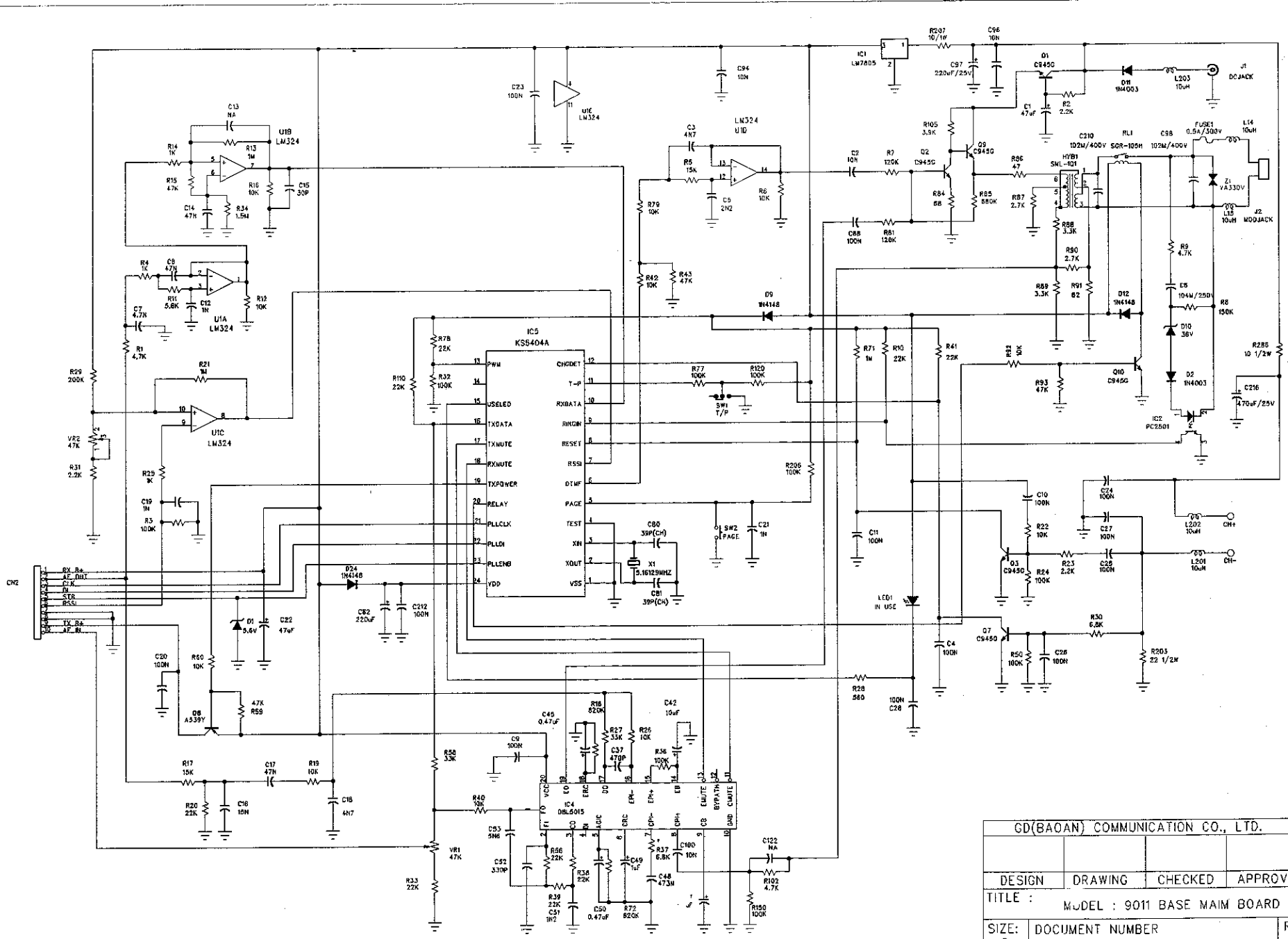


GD COMMUNICATION CO.LTD		
MODEL : 9091 HANDSET MAIN BOARD		
Size	Document Number	REV
C		0
Date : 28-DEC-98	Sheet	1 of 1

VALUE: HANDSET
BRF-140-0701



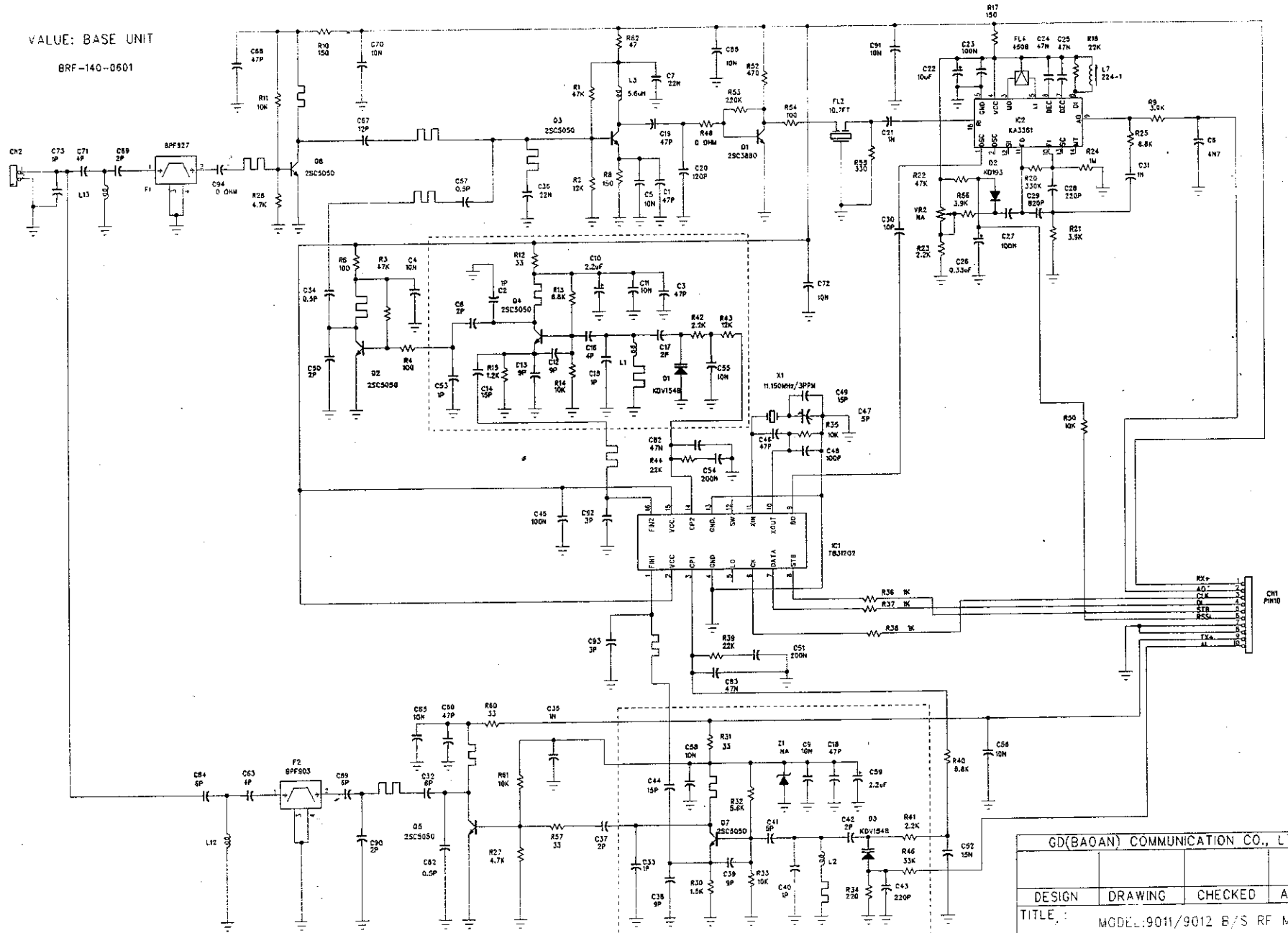
GD(BAOAN) COMMUNICATION CO., LTD.			
DESIGN	DRAWING	CHECKED	APPROVED
TITLE: MODEL:9011/9012 H/S RF MODULE			
SIZE: C	DOCUMENT NUMBER	REV 01	
DATE: DECEMBER-28-1998	SHEET: 1 OF 1		



GD(BAOAN) COMMUNICATION CO., LTD.			
DESIGN	DRAWING	CHECKED	APPROVED
TITLE : MODEL : 9011 BASE MAIN BOARD			
SIZE : C	DOCUMENT NUMBER		REV 01
DATE : 08-NOV-1998	SHEET: 1 OF 1		

VALUE: BASE UNIT

BRF-140-0601



GD(BAON) COMMUNICATION CO., LTD.			
DESIGN	DRAWING	CHECKED	APPROVED
TITLE : MODEL:9011/9012 B/S RF MODULE			
SIZE : C	DOCUMENT NUMBER		REV 01
DATE:	DECEMBER-28-1998	SHEET: 1 OF 1	