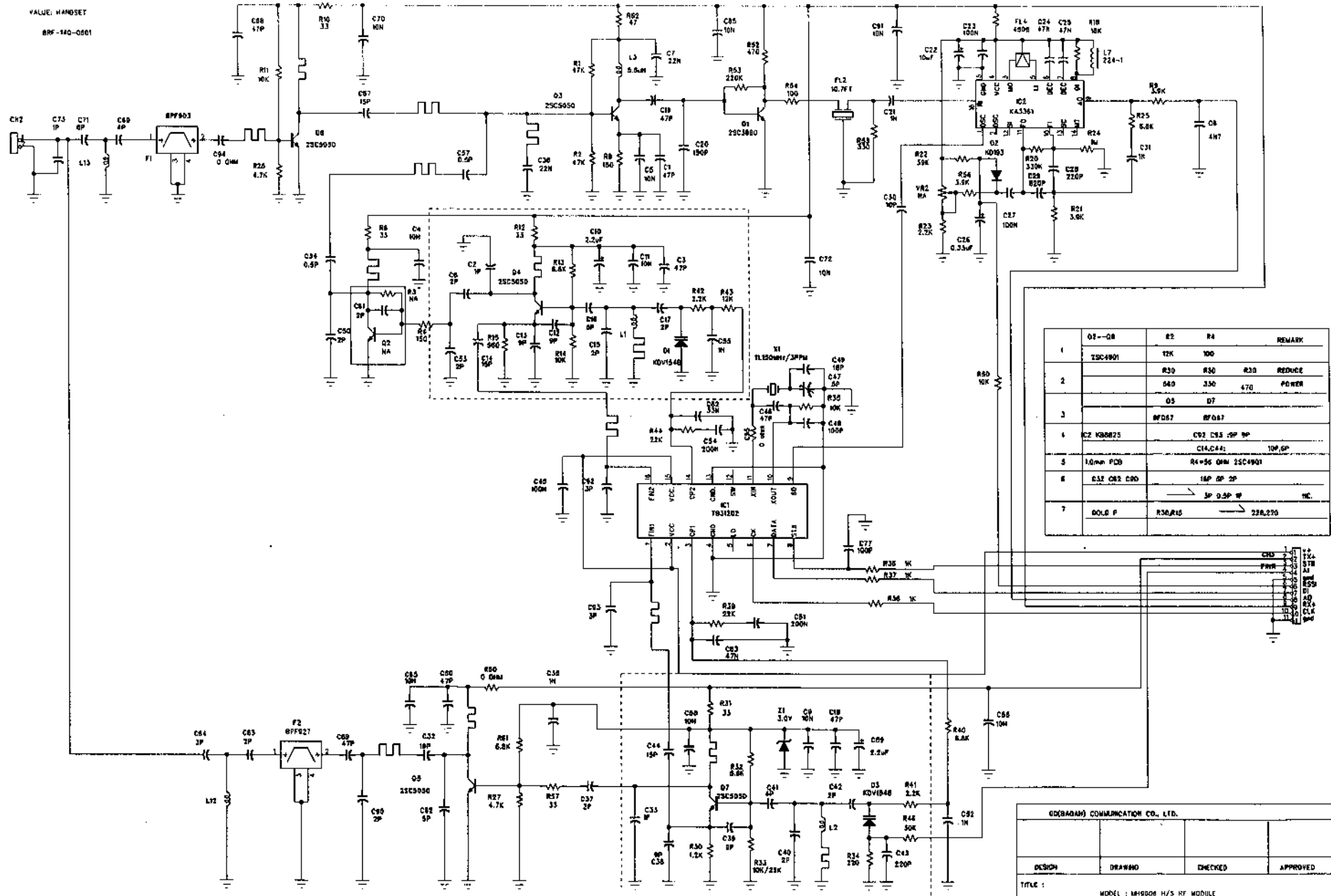


VALUE: HANDSET
BRF-140-0001



NO	Q1-Q8	R2	R4	REMARK
1	2SC4901	12K	100	
		R30	R30	REDUCE
		040	330	470
2		05	D7	
		BFD67	BFD67	
3	C2 K90825	C92	C93	5P 5P
		C14,C24		10P 5P
4	1.0mm F03	R4=56	09M	2SC4901
		0.5Z	0.8Z	0.00
5				16P 0P 2P
				3P 0.5P 1P
6				ME.
7	DOUG P	R36,R16		230,220

GD(BARR) COMMUNICATION CO., LTD.

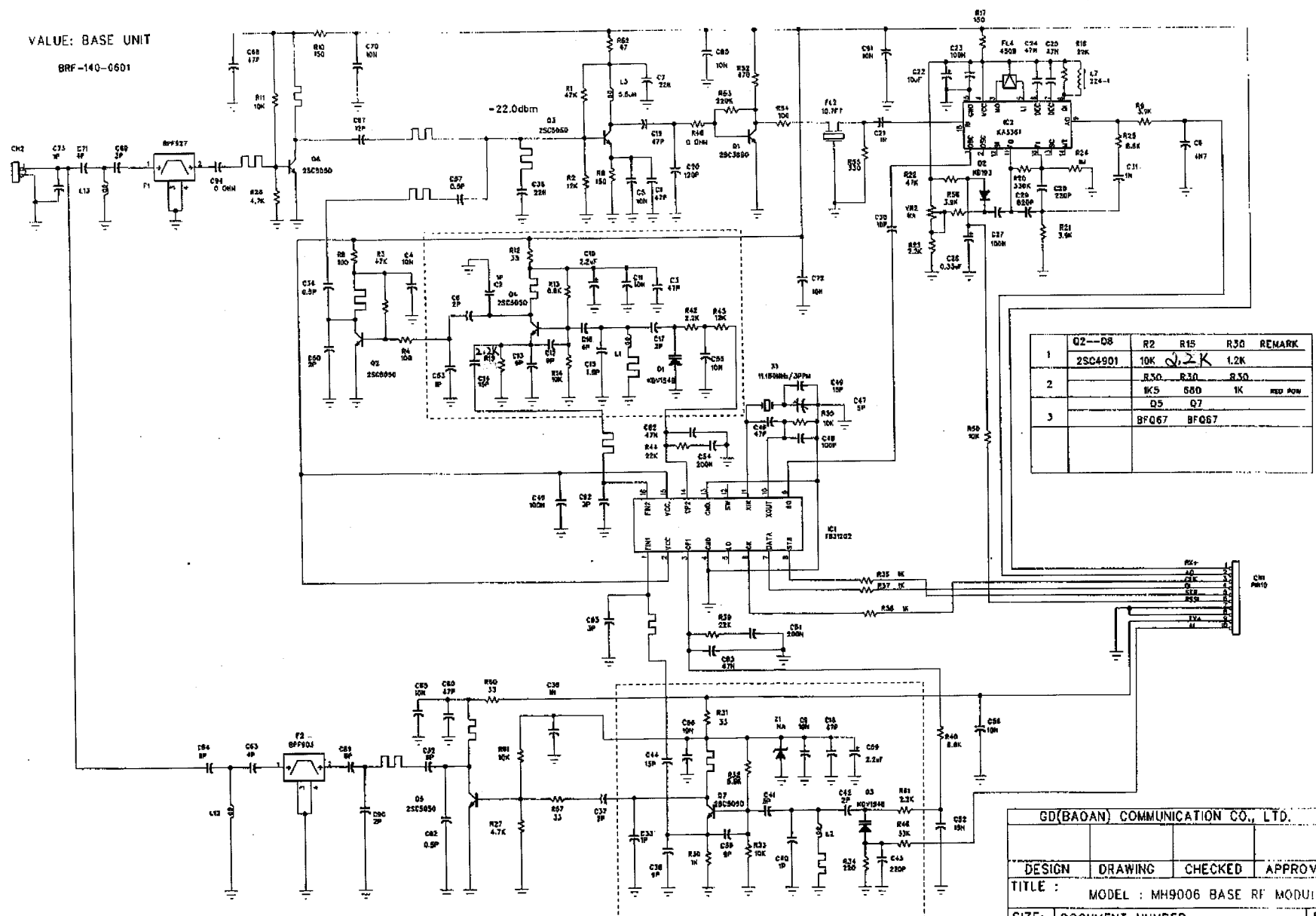
DESIGN	DRAWING	CHECKED	APPROVED
--------	---------	---------	----------

TITLE : MODEL : L49308 H/S HF MODULE

SIZE: C	DOCUMENT NUMBER	REV: 00
---------	-----------------	---------

DATE: APR 27, 2000 SHEET: 1 OF 1

VALUE: BASE UNIT
BRF-140-0601



	Q2-D8	R2	R15	R30	REMARK
1	2SC4901	10K	2.2K	1.2K	
2		R30	R30	R30	RED POW
3		Q5	Q7		

GD(BAOAN) COMMUNICATION CO., LTD.			
DESIGN	DRAWING	CHECKED	APPROVED
TITLE :		MODEL : MM9006 BASE RF MODULE	
SIZE :	DOCUMENT NUMBER	REV	
C		02	
DATE :	APR 27, 2000	SHEET: 1 OF 1	