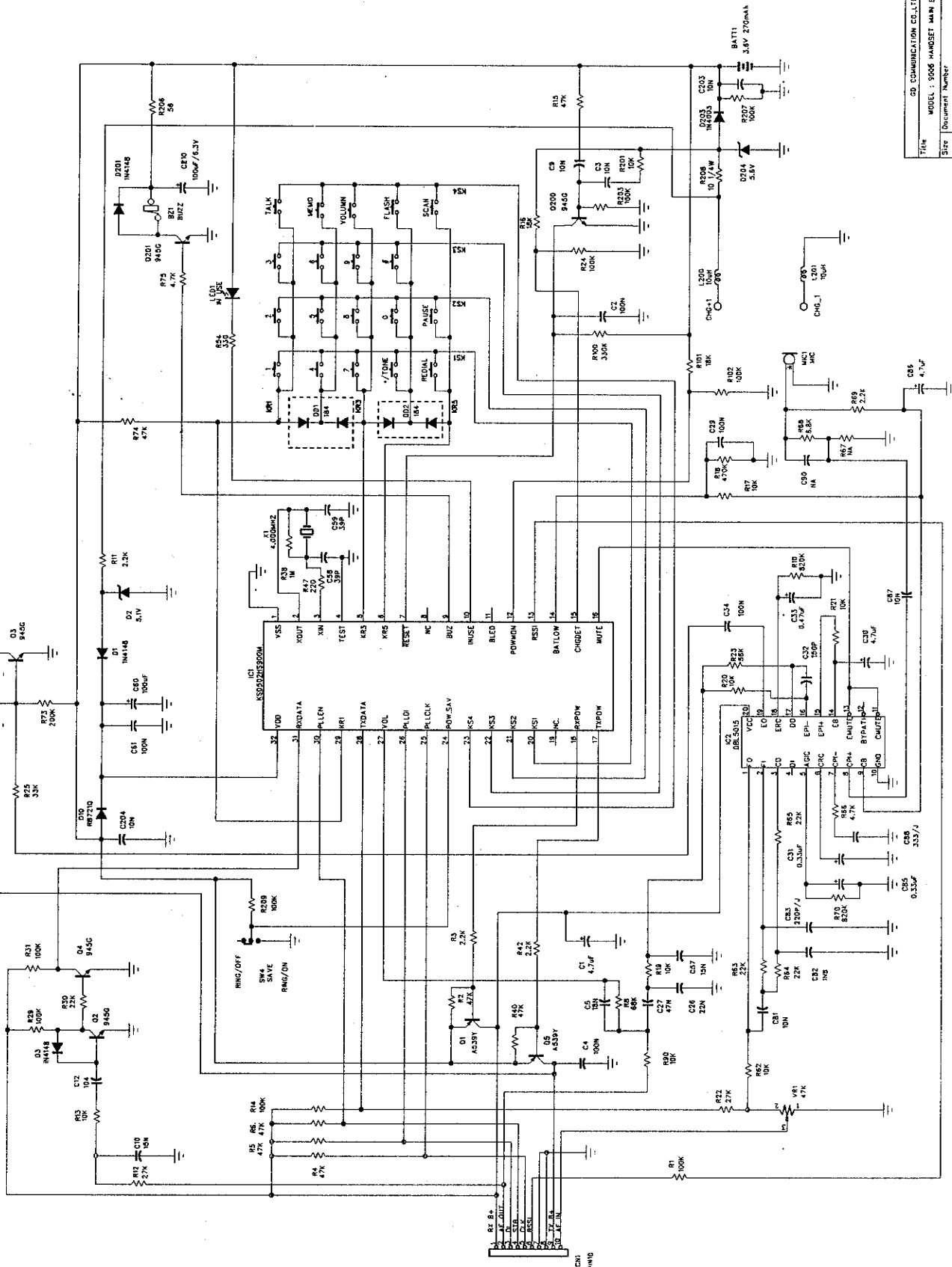


COMPANY : GD COMMUNICATION CO. LTD
 U.S.A. 900MHZ BASIC BASE SCHEMATIC
 TITLE :
 MODEL :9006B BASE MAIN BOARD
 CODE :
 SIZE : C
 DRAWING NO :
 REV 0
 DATE: 20-APRIL-1985
 SHEET: 1 OF 1



File	GD COMMUNICATION CO., LTD.
Model	MODEL : 9006 HMMSET MAIN BOARD
Size	Document Number
REV	C
Date	20-APR-98
Sheet	1 of 1