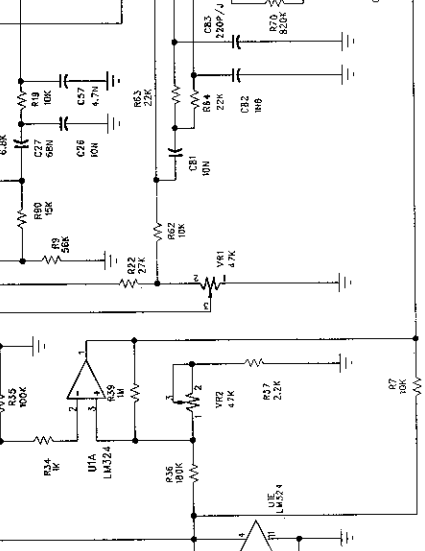
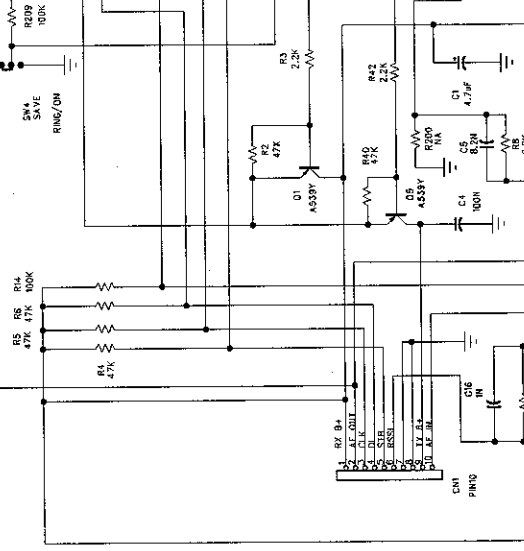
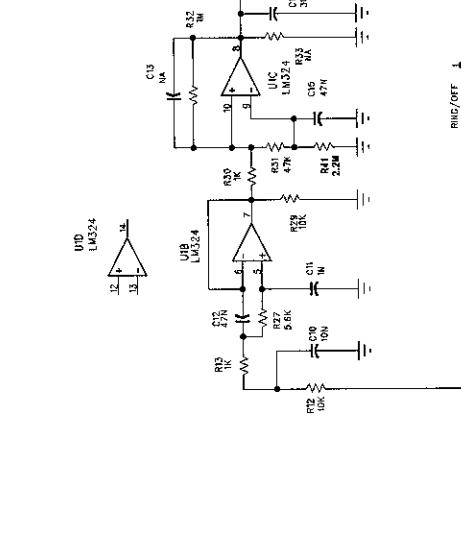
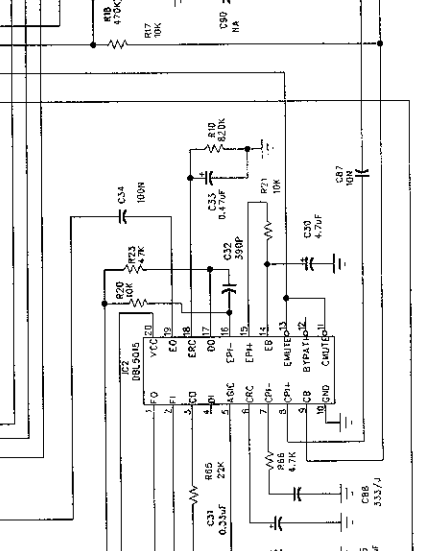
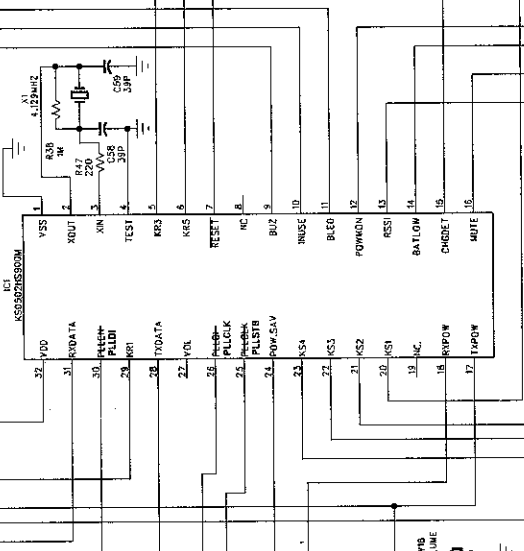
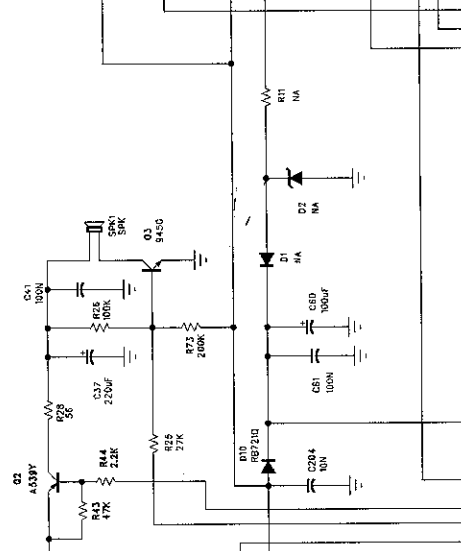
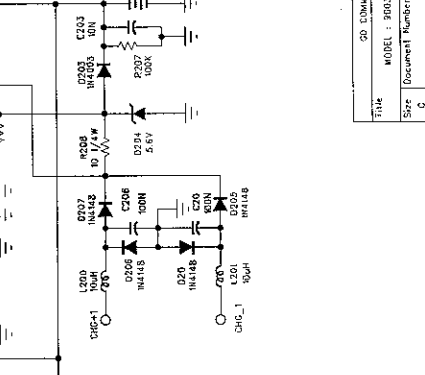
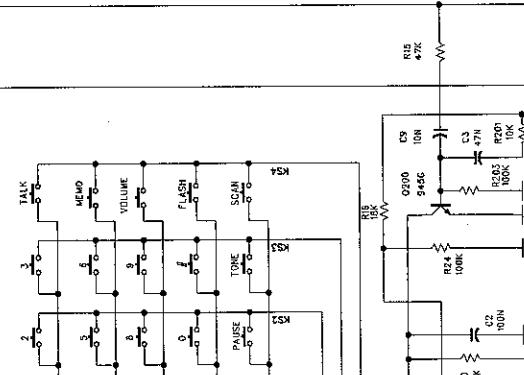
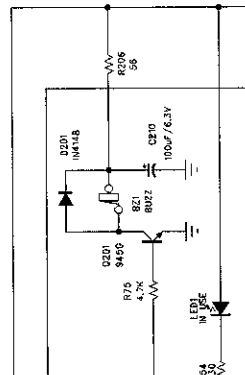
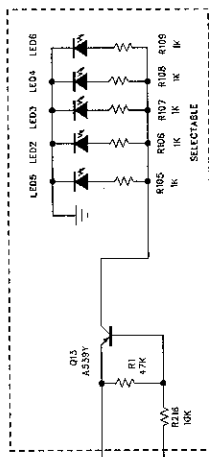
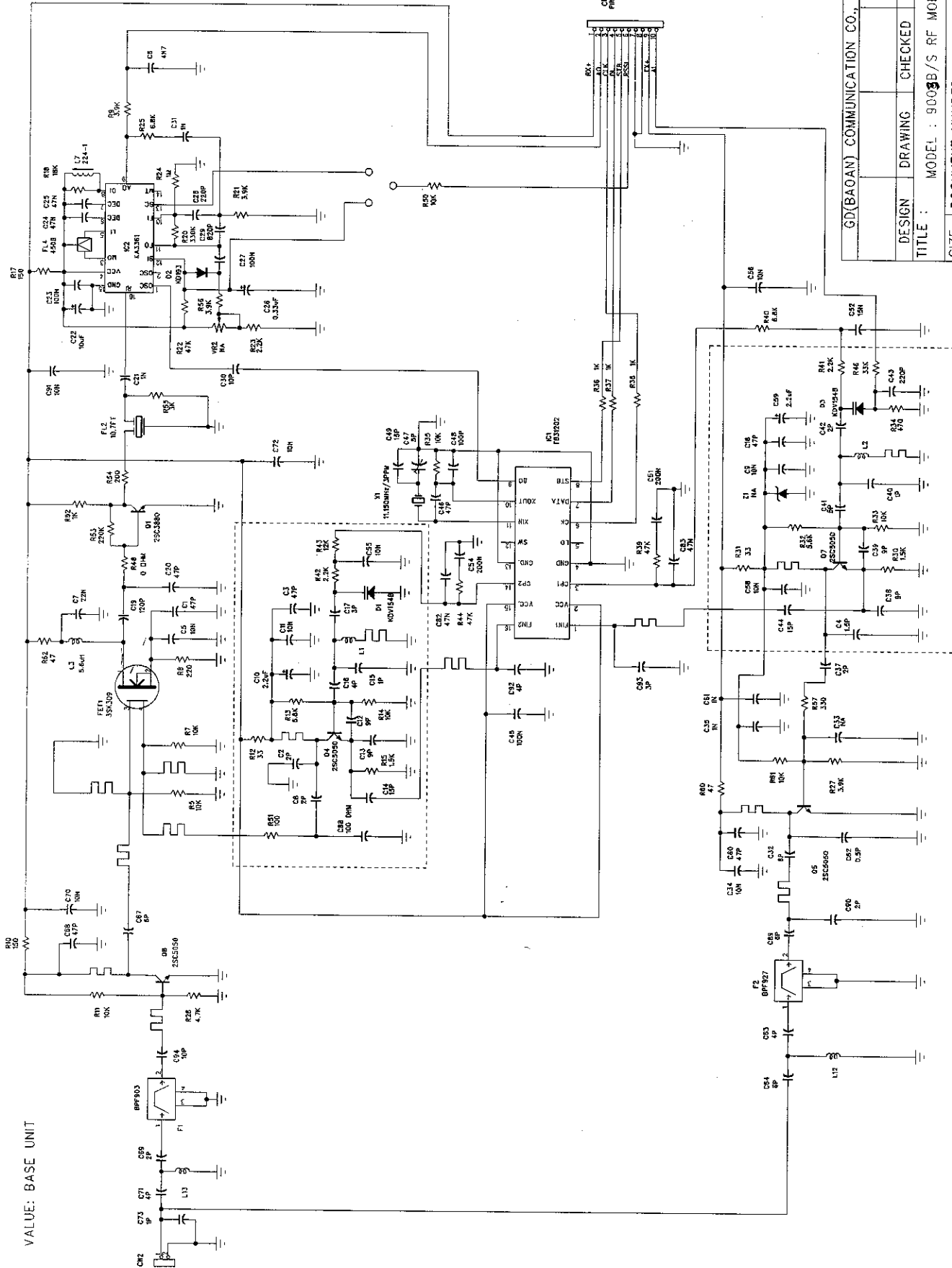


COMPANY : GD COMMUNICATION CO.,LTD
 U.S.A 900MHZ BASIC BASE SCHEMATIC
 TITLE :
 MODEL : 9003 BASE MAIN BOARD
 CODE : C
 SIZE :
 DRAWING NO :
 REV : 1
 DATE : 08-OCT-1988
 SHEET : 1 OF 1



TALK
 MODEL : R003 HANDSET MAIN BOARD
 Size Document Number
 C
 Date : 15-01-1998 Sheet 1 of 1

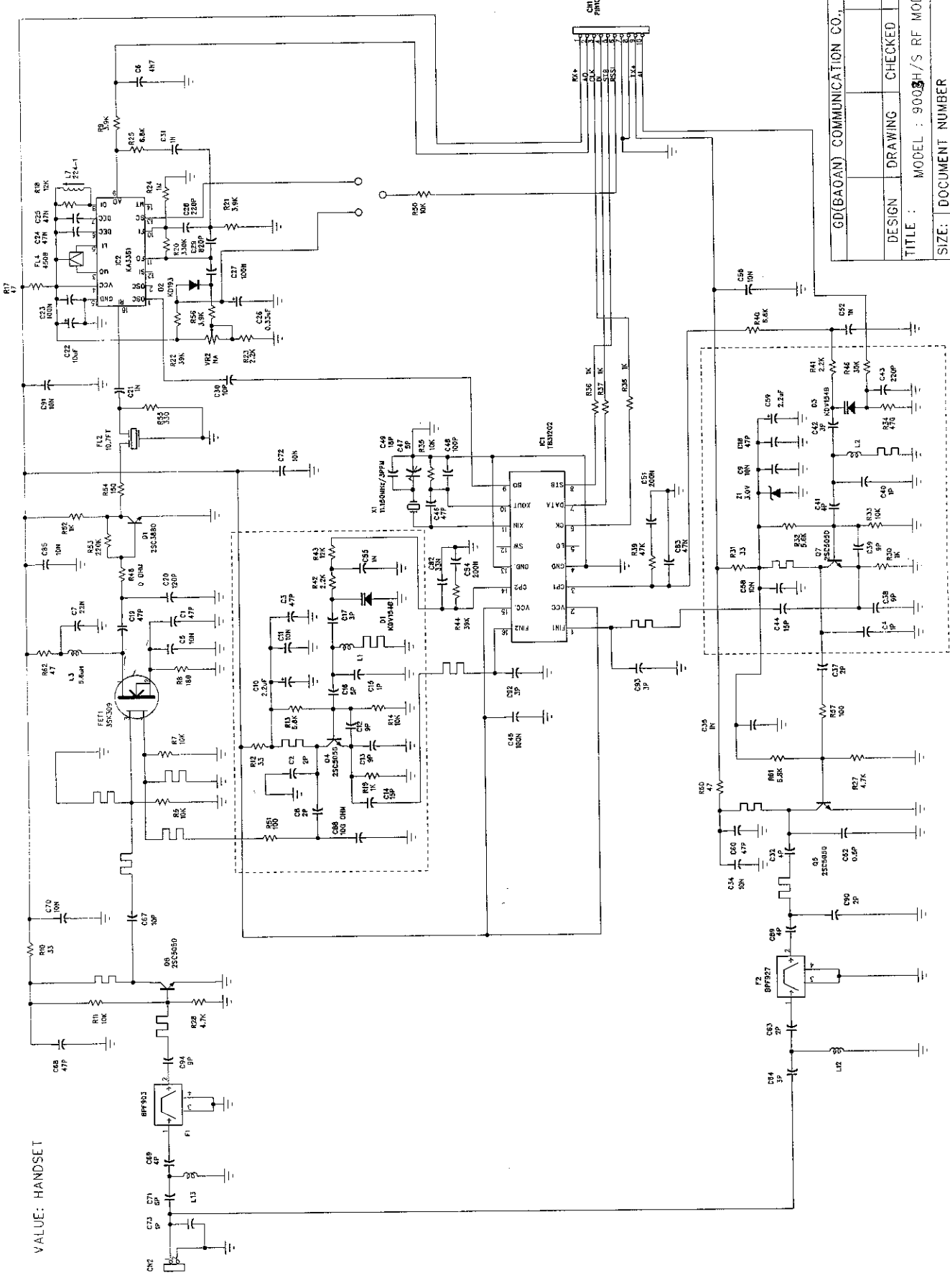
VALUE: BASE UNIT



GD(BAON) COMMUNICATION CO., LTD.

DESIGN	DRAWING	CHECKED	APPROVED
SIZE: C	DOCUMENT NUMBER	MODEL : 9008B/S RF MODULE	REV 0
DATE:	NOVEMBER-08-1998	SHEET: 1 OF 1	

VALUE: HANDSET



GD(BAGOAN) COMMUNICATION CO., LTD.			
DESIGN	DRAWING	CHECKED	APPROVED
TITLE : MODEL : 900H/S RF MODULE			
SIZE: C	DOCUMENT NUMBER	REV	0
DATE:	NOVEMBER-08-1998	SHEET: 1 OF 1	