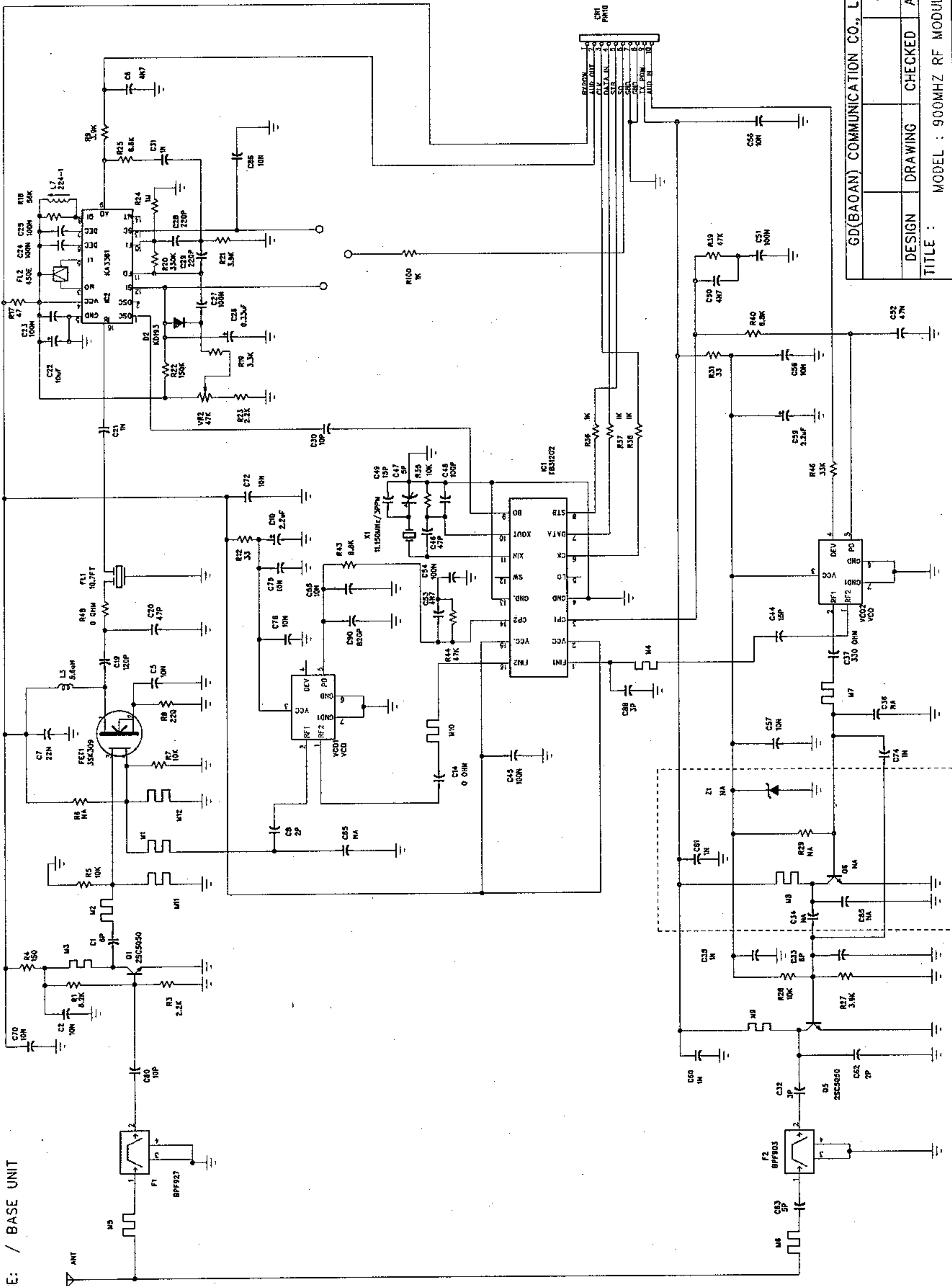
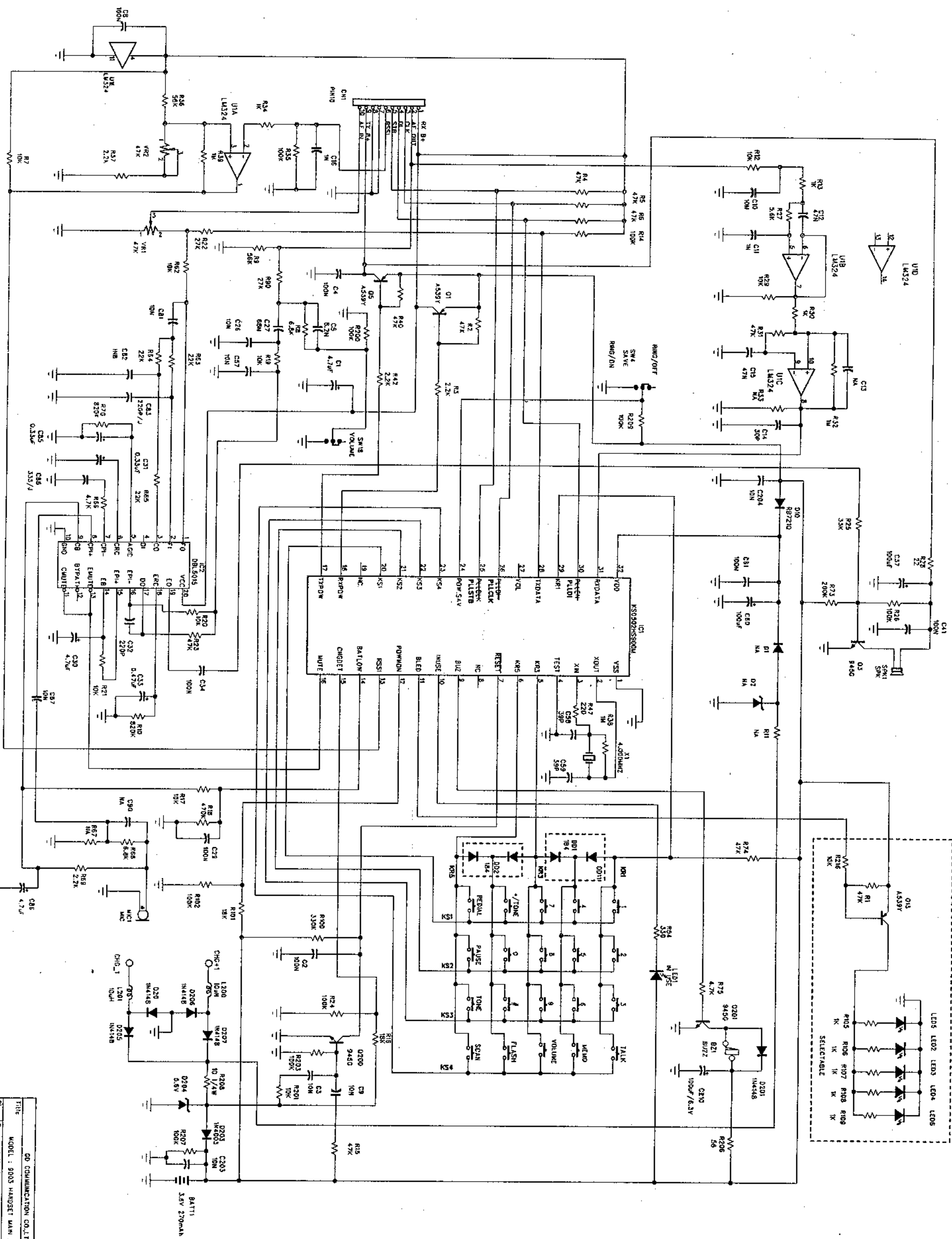


COMPANY : GD COMMUNICATION CO.,LTD
 U.S.A 900MHZ BASIC BASE SCHEMATIC
 TITLE :
 MODEL : 9003 BASE MAIN BOARD
 CODE :
 SIZE : C
 DRAWING NO :
 REV 0
 DATE: 20-APRIL-1988
 SHEET: 1 OF 1

VALUE / BASE UNIT

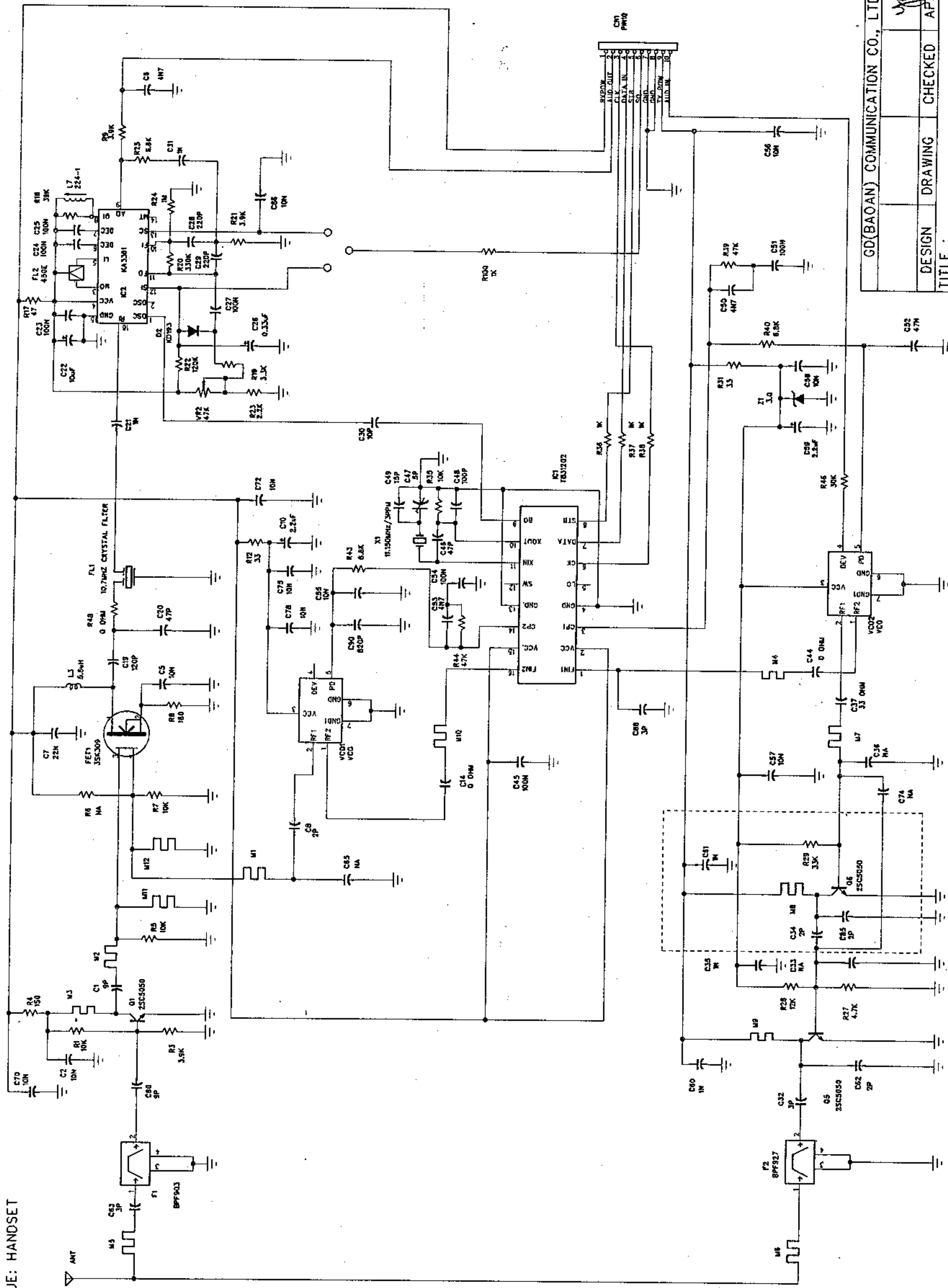


GD(BAOAN) COMMUNICATION CO., LTD.			
DESIGN	DRAWING	CHECKED	APPROVED
TITLE : MODEL : 900MHZ RF MODULE B/S		REV 0	
SIZE: C	DOCUMENT NUMBER	DATE:	
		SHEET: 1 OF 1	



TITLE: 90 COMMUNICATION CO., LTD.
 MODEL: 9003 HANDSET MAIN BOARD
 SIZE: DOCUMENT NUMBER
 DATE: 20-APR-88
 SHEET: 1 of 1

VALUE: HANDSET



GD(BAOAN) COMMUNICATION CO., LTD.			
DESIGN	DRAWING	CHECKED	APPROVED
TITLE : MODEL : 900MHZ RF MODULE H/S			
SIZE: C	DOCUMENT NUMBER	REV	D
DATE:			