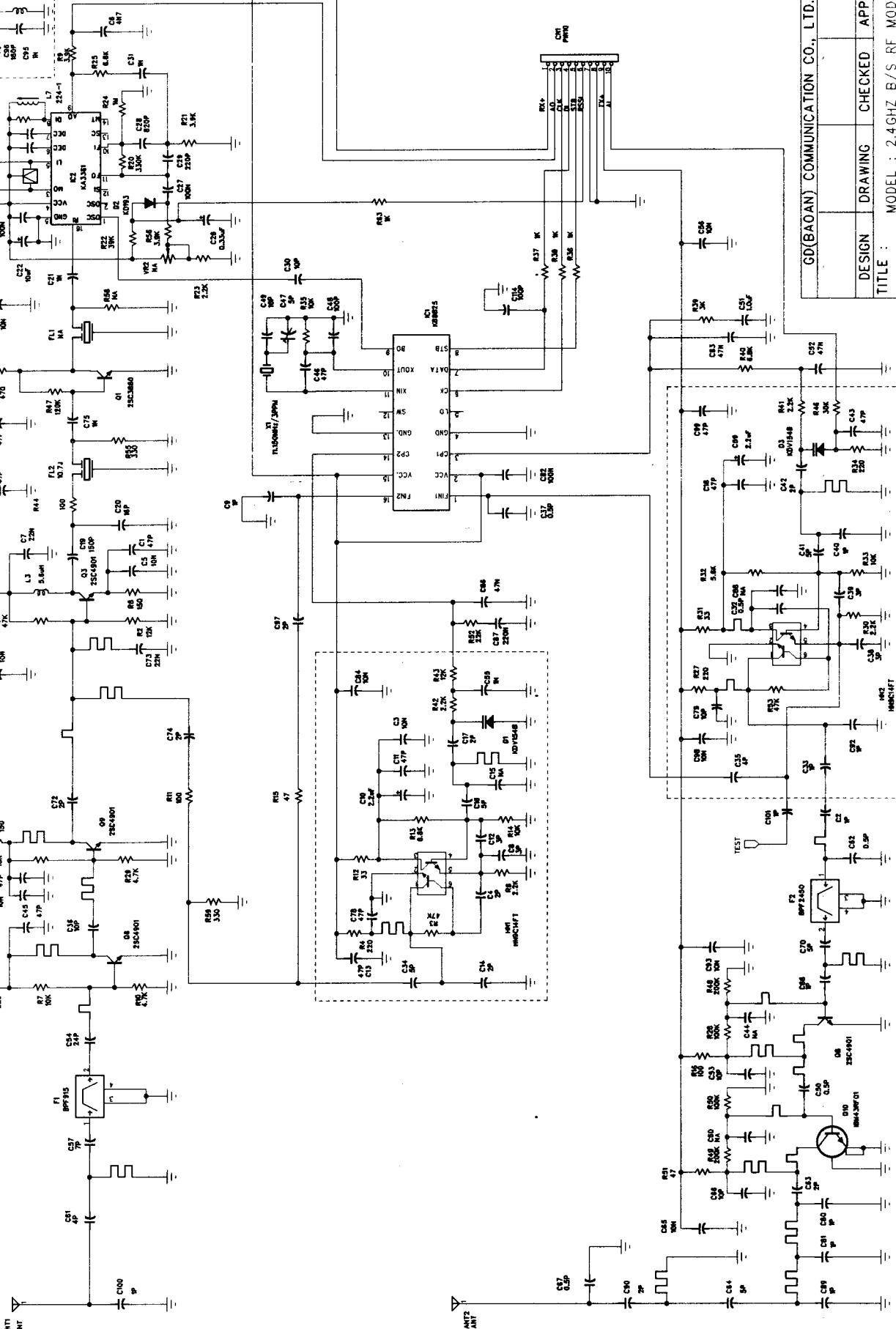
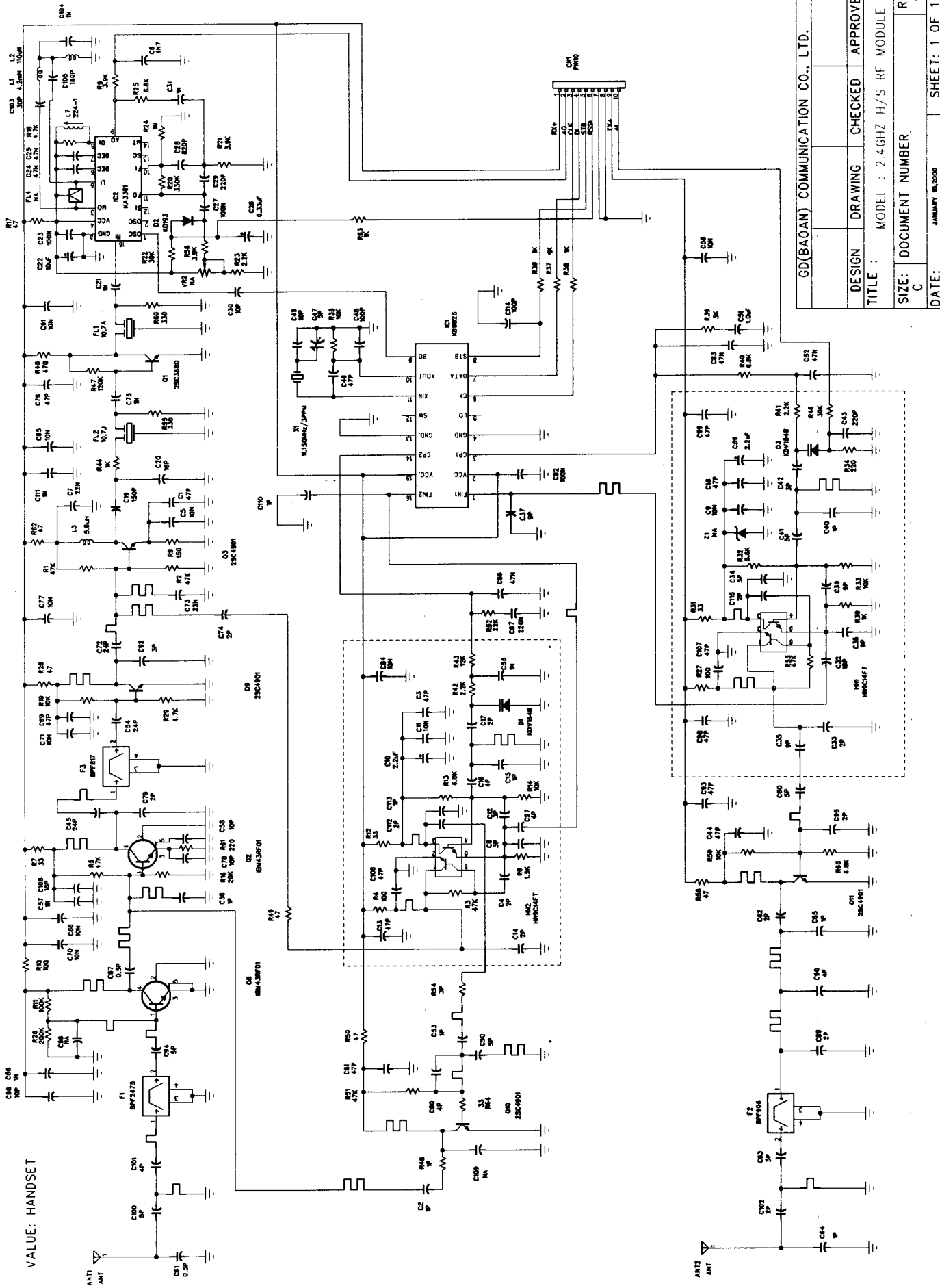


VALUE: BASE UNIT



GD(BAON) COMMUNICATION CO., LTD.			
DESIGN	DRAWING	CHECKED	APPROVED
TITLE : MODEL : 2.4GHZ B/S RF MODULE			
SIZE: C	DOCUMENT NUMBER		
DATE: JANUARY 12, 2000			
			SHEET: 1 OF 1

REV 02



VALUE: HANDSET

GD(BAOAN) COMMUNICATION CO., LTD.			
DESIGN	DRAWING	CHECKED	APPROVED
TITLE : MODEL : 2.4GHZ H/S RF MODULE			
SIZE: C	DOCUMENT NUMBER:	REV 02	
DATE: JANUARY 19,2000	SHEET: 1 OF 1		