

**LINE DRAWING**

**BELLSOUTH**

COMPLIES WITH PART 68 FCC RULES  
 FCC REGISTRATION NO.: (Insert)  
 REN: (Insert) USOC: RJ11C

Model No.: GH940X  
 FCC ID: NS2GH9402

THIS DEVICE COMPLIES WITH PART 15 OF THE FCC RULES. OPERATION IS SUBJECT TO THE FOLLOWING TWO CONDITIONS: (1) THIS DEVICE MAY NOT CAUSE HARMFUL INTERFERENCE, AND (2) THIS DEVICE MUST ACCEPT ANY INTERFERENCE RECEIVED, INCLUDING INTERFERENCE THAT MAY CAUSE UNDESIRED OPERATION.

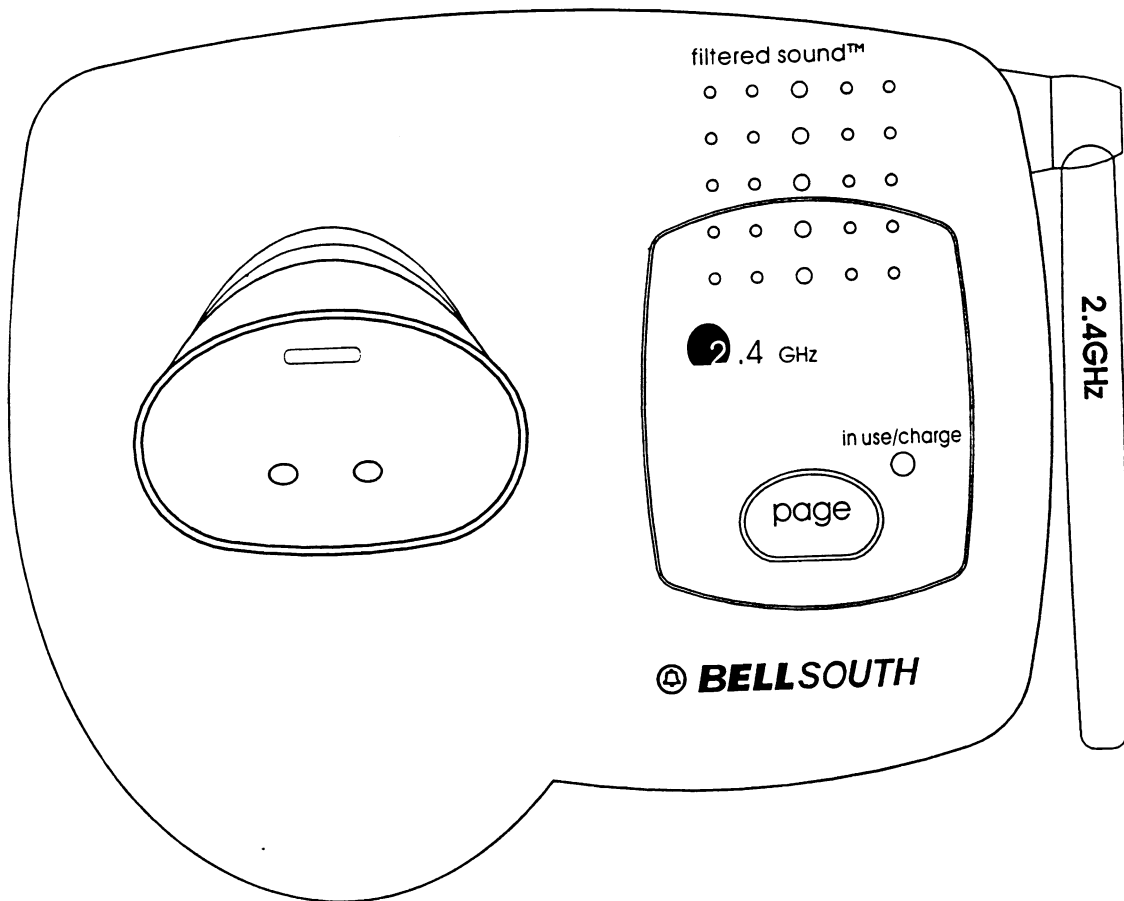
PRIVACY OF COMMUNICATIONS MAY NOT BE ENSURED WHEN USING THIS PHONE  
 GUANG DONG (BAO AN) COMMUNICATION CO LTD MADE IN CHINA



120653

CONFORMS TO  
 ANSI/UL STD. 1950

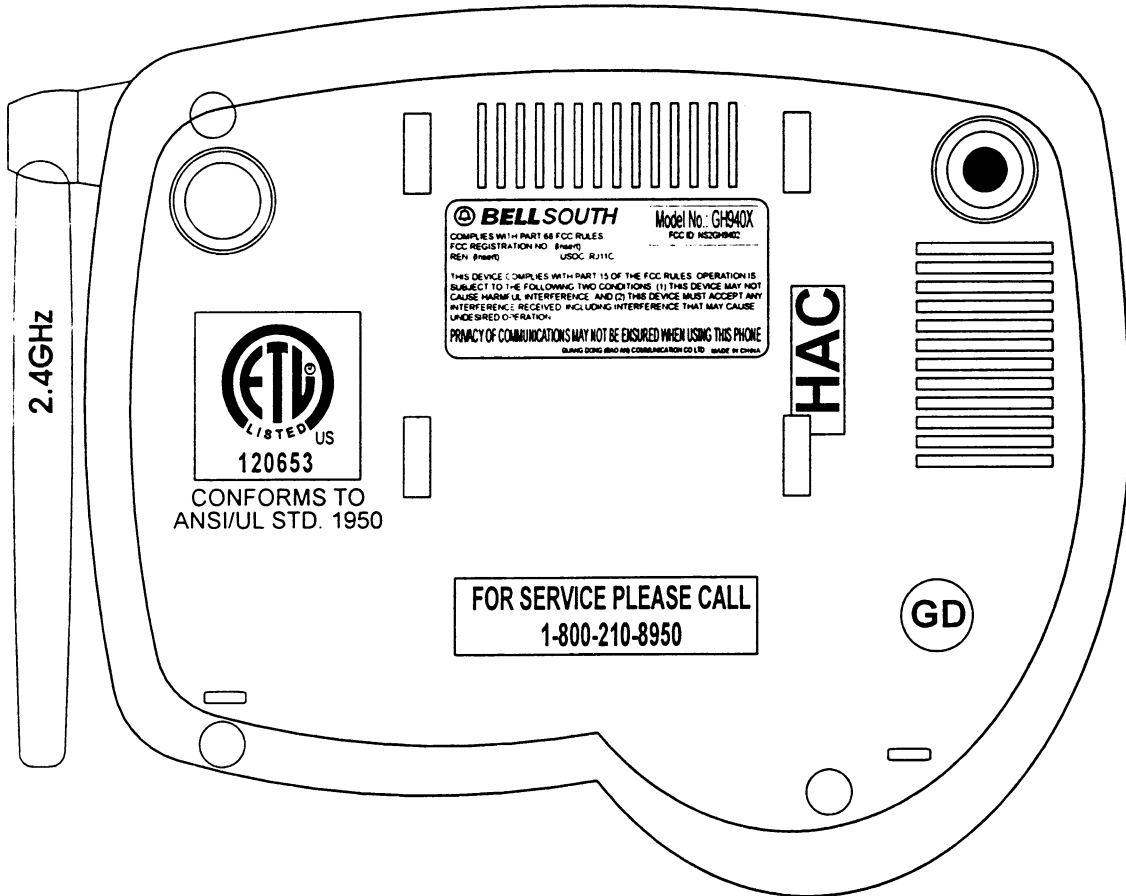
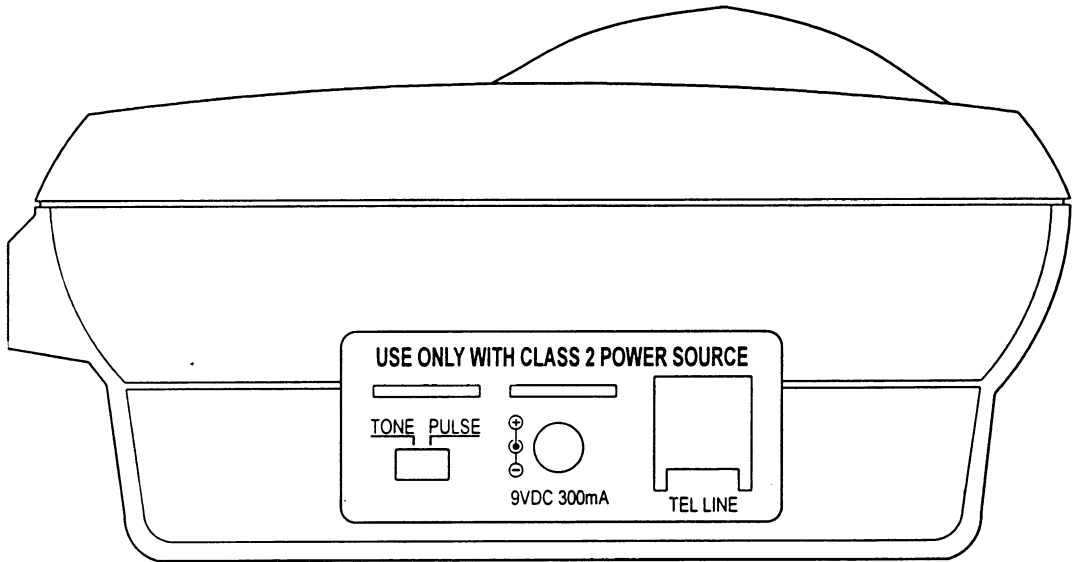
**HAC**



**GUANGDONG (BAOAN) COMMUNICATION CO., LTD.**  
 PRODUCT ENGINEERING DEPARTMENT

TITLE : GH940X (X= 0-9) Base top and labels		REVISION :
DRAWN BY : Dan Coronia	CHECKED BY :	APPROVED BY :
DATE : Jan. 20, 2000	DATE :	DATE :

**LINE DRAWING**



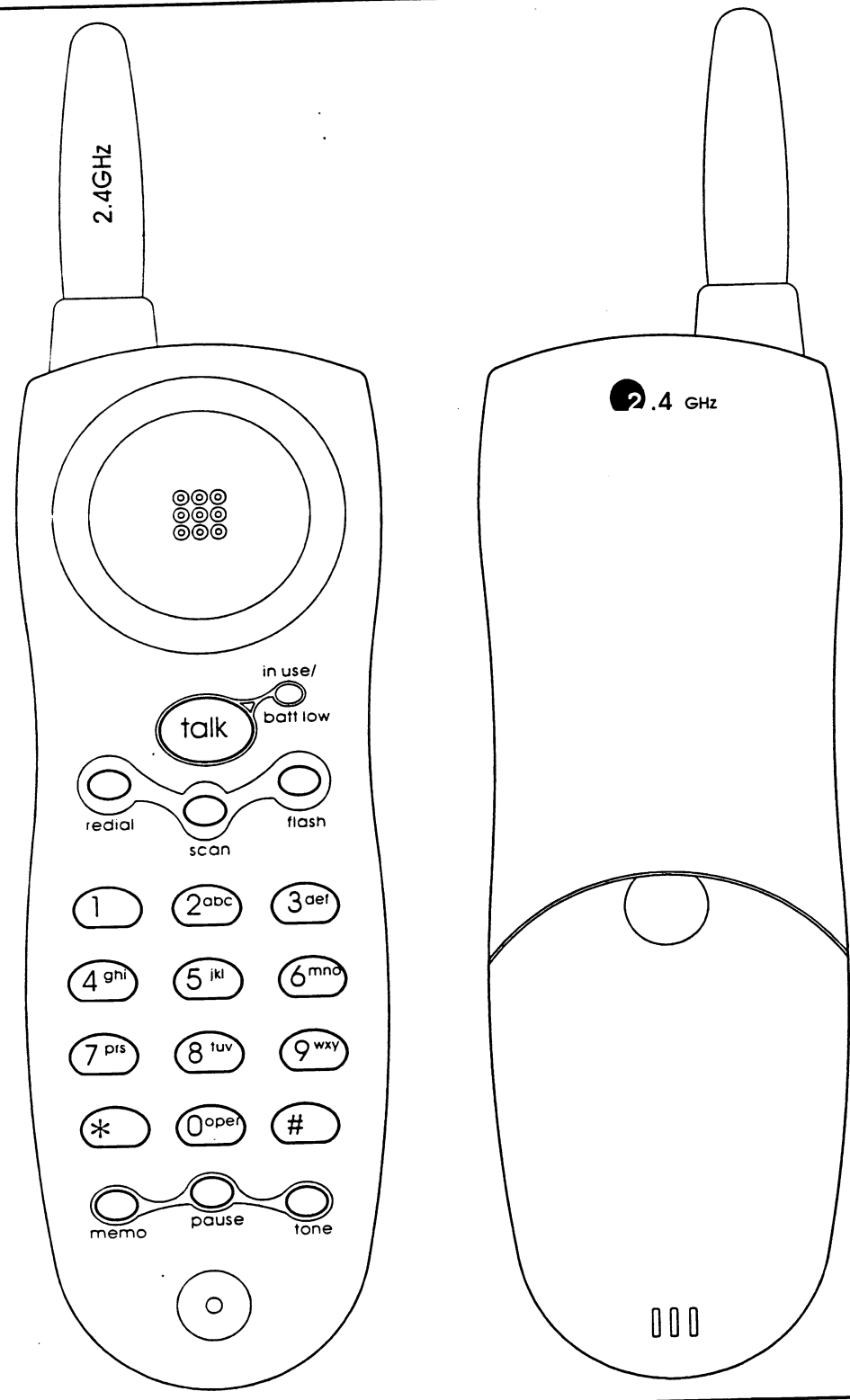
**GUANGDONG (BAOAN) COMMUNICATION CO., LTD.**  
**PRODUCT ENGINEERING DEPARTMENT**

TITLE : GH940X (X= 0-9) Base bottom and rear view REVISION :

DRAWN BY : Dan Corona CHECKED BY : APPROVED BY :

DATE : Jan. 20, 2000 DATE : DATE :

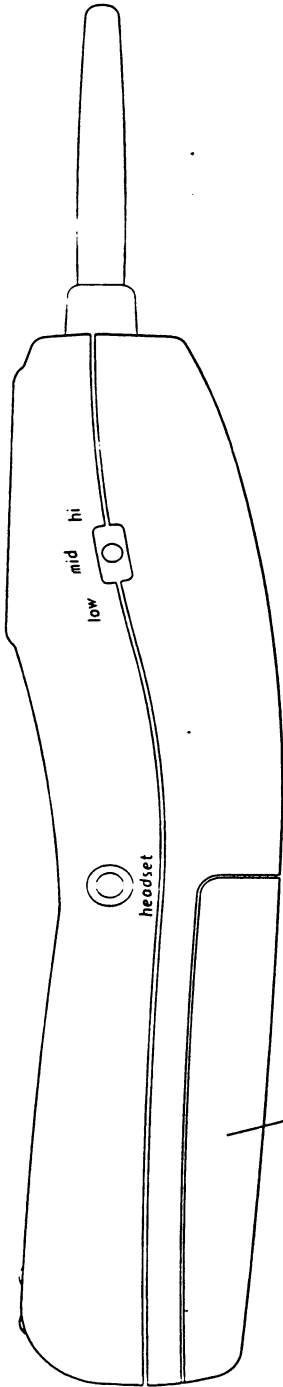
**LINE DRAWING**



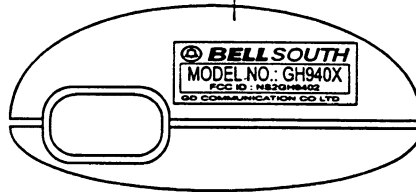
**GUANGDONG (BAOAN) COMMUNICATION CO., LTD.**  
**PRODUCT ENGINEERING DEPARTMENT**

TITLE : GH940X (X= 0-9) Handset cover and backl		REVISION :
DRAWN BY : Dan Coronia	CHECKED BY :	APPROVED BY :
DATE : Jan. 20, 2000	DATE :	DATE :

# LINE DRAWING



H/S FCC LABEL



2:1

BATTERY CAUTION LABEL  
(TO BE PLACED INSIDE BATTERY COMPARTMENT)

**CAUTION**  
 TO REDUCE RISK OF FIRE OR  
 INJURY, USE ONLY SAME TYPE  
 AND MAKE OF BATTERY PACK,  
 Ni-Cd 3.6V, 600mAh  
 U.S. ELECTRONICS MODEL B650.



NICKEL CADMIUM BATTERY  
 MUST BE RECYCLED OR  
 DISPOSED OF PROPERLY  
 USE THE SPECIFIED  
 CHARGER

Ni-Cd

**GUANGDONG (BAOAN) COMMUNICATION CO., LTD.**  
**PRODUCT ENGINEERING DEPARTMENT**

TITLE : GH940X (X= 0-9) Handset label

REVISION :

DRAWN BY : Dan Corona

CHECKED BY :

APPROVED BY :

DATE : Jan. 20, 2000

DATE :

DATE :