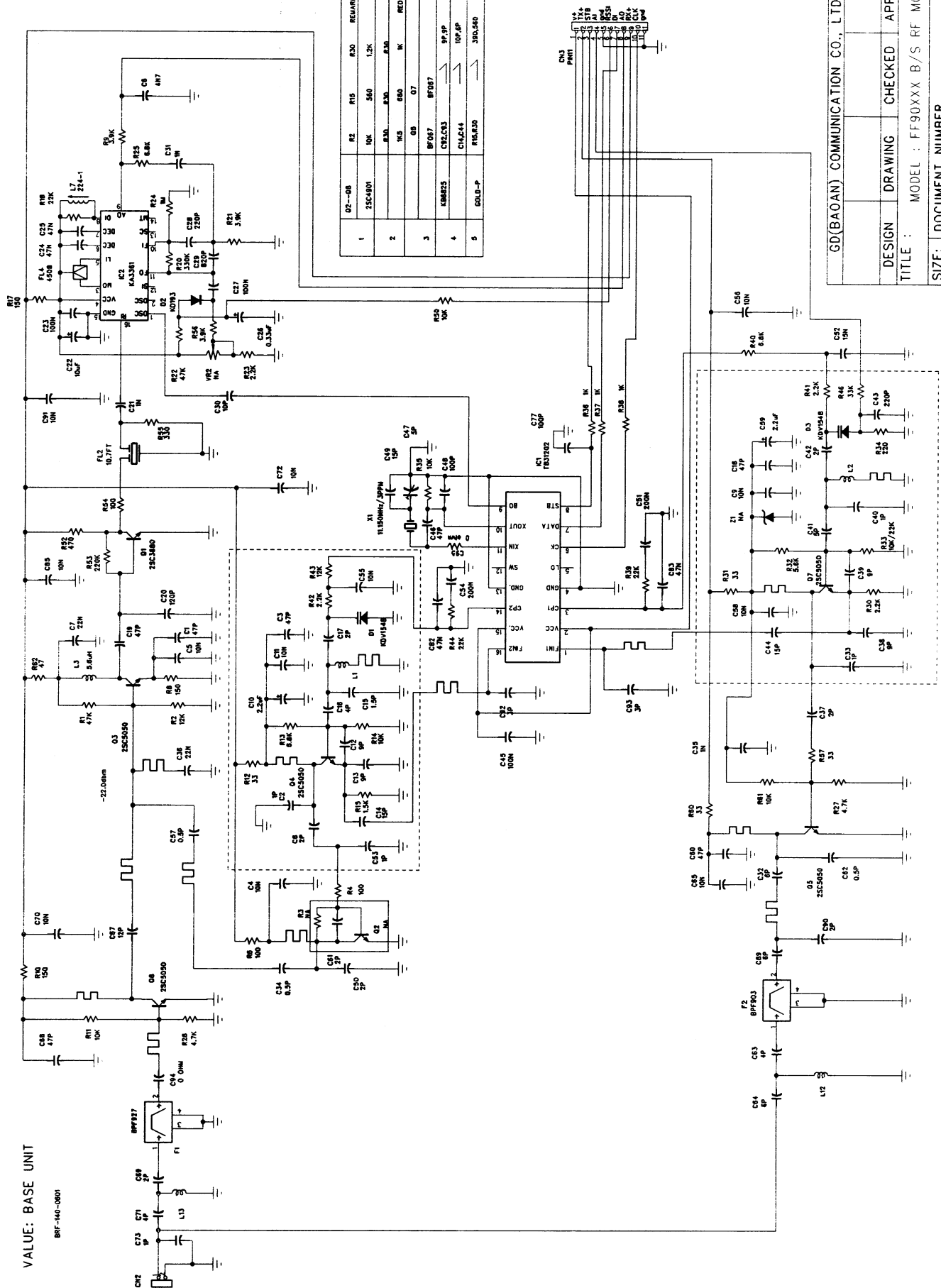


| | | | |
|---|-----------------|---------|---------------|
| GD(BAON) COMMUNICATION CO., LTD. | | | |
| DESIGN | DRAWING | CHECKED | APPROVED |
| TITLE : MODEL : FF90XXX BASE MAIN BOARD | | | |
| SIZE: C | DOCUMENT NUMBER | | REV 0 |
| DATE: 1999-09-20 | | | SHEET: 1 OF 1 |

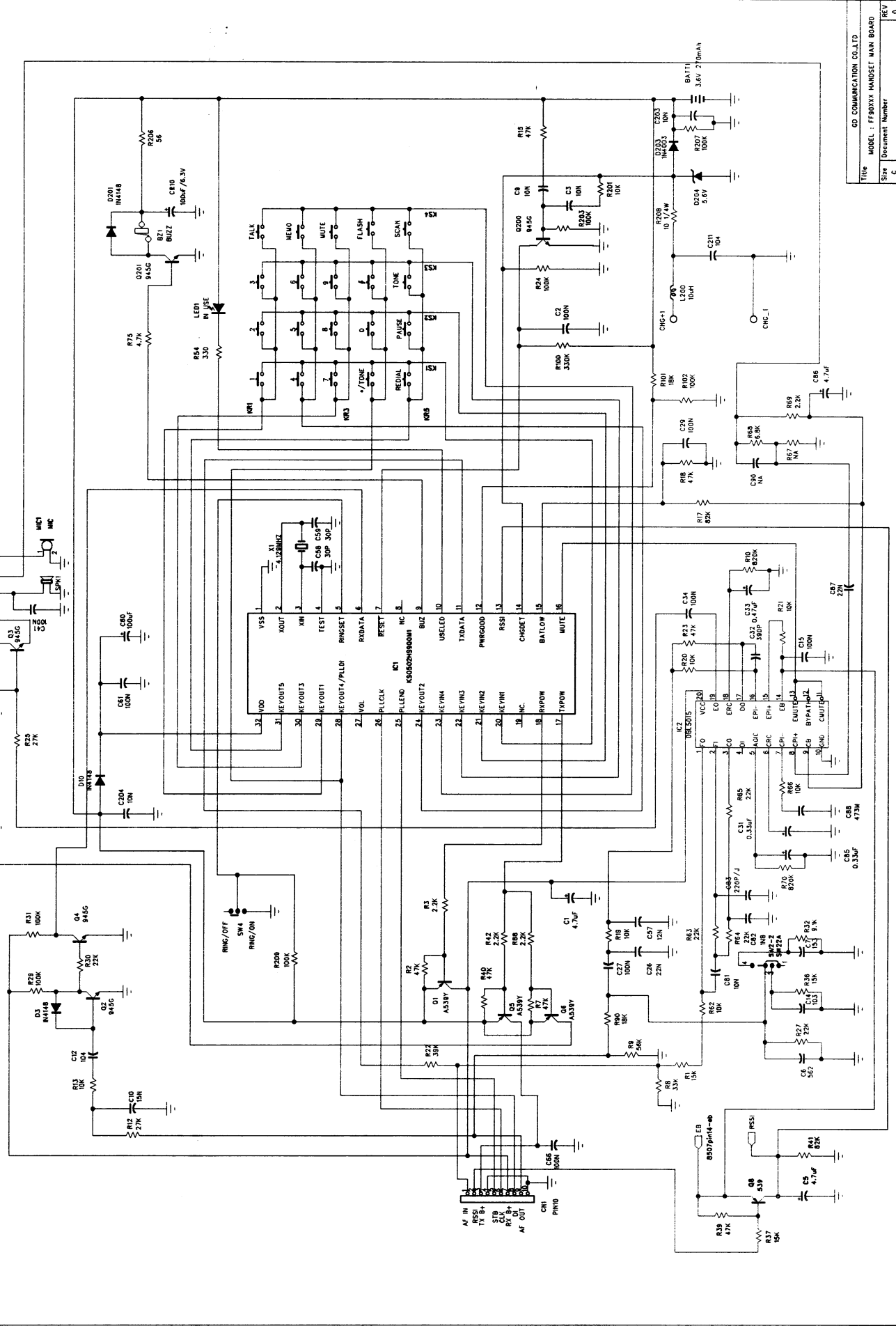
VALUE: BASE UNIT

BRF-140-0801



| Q2-08 | R2 | R15 | R30 | REMARK |
|-------|---------|----------|-------|----------|
| 1 | 25C4901 | 10K | 560 | 1.2K |
| 2 | | R30 | R30 | R30 |
| 3 | K84823 | K5 | R60 | K |
| 4 | | Q5 | Q7 | |
| 5 | | BF067 | BF067 | 9P, 9P |
| | | C32, C43 | | 10P, 5P |
| | | CH4, C44 | | |
| | | R5, R30 | | 360, 540 |

| | | | |
|---------------------------------------|-----------------|---------|---------------|
| GD(BAOAN) COMMUNICATION CO., LTD. | | | |
| DESIGN | DRAWING | CHECKED | APPROVED |
| TITLE : MODEL : FF90XXX B/S RF MODULE | | | |
| SIZE: C | DOCUMENT NUMBER | | REV 00 |
| DATE: FEBRUARY 14, 2000 | | | SHEET: 1 OF 1 |



| | |
|-------|--------|
| REV | 0 |
| Docu | Number |
| Sheet | 1 of 1 |

GD COMMUNICATION CO., LTD.
 MODEL : FF80XX HANDSET MAIN BOARD
 Title
 Date : 20-OCT-98

