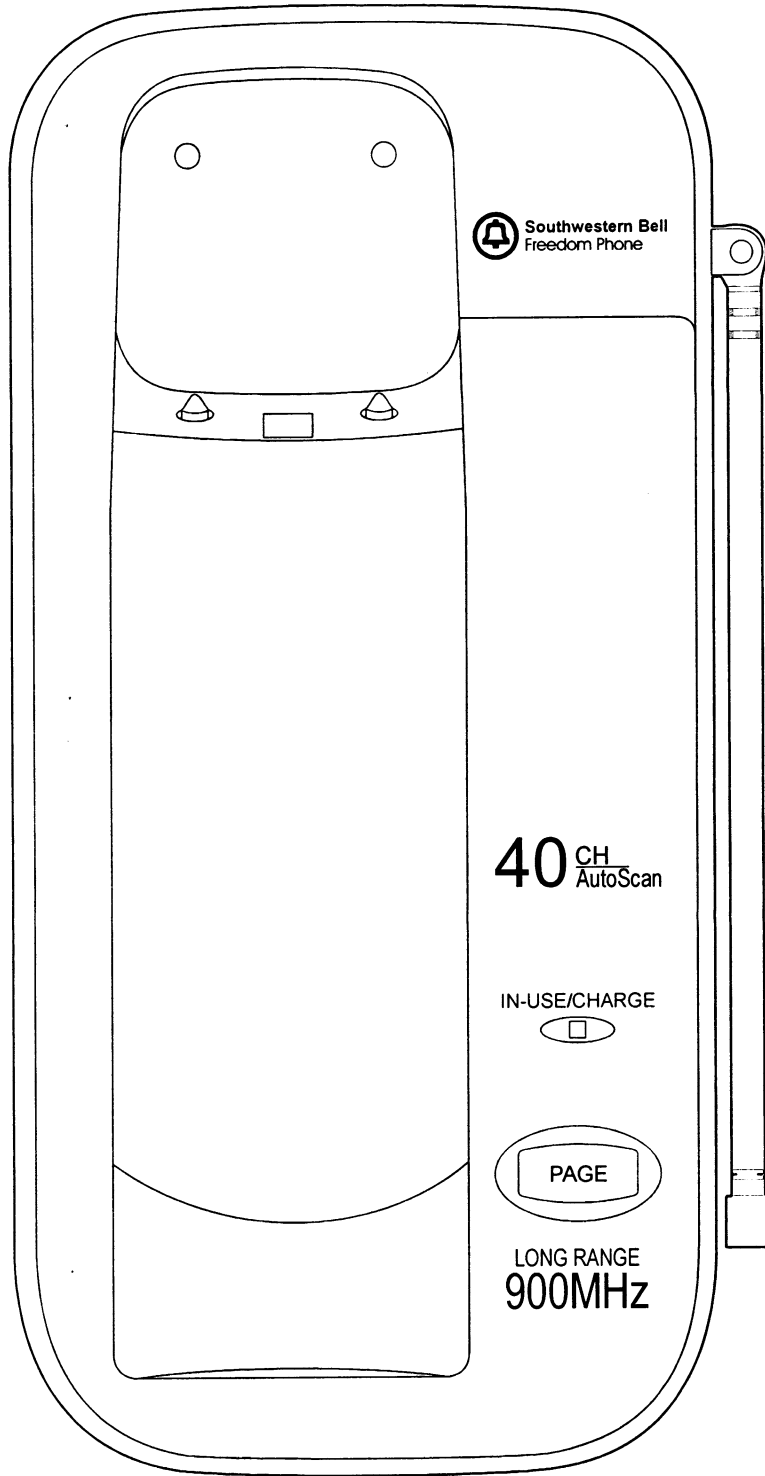


LINE DRAWING



GUANGDONG (BAOAN) COMMUNICATION CO., LTD.
PRODUCT ENGINEERING DEPARTMENT

TITLE : FF90XX (Base Top)

REVISION : 01

DRAWN BY : Dan Corona

CHECKED BY :

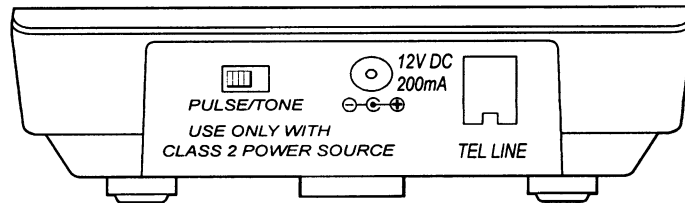
APPROVED BY :

DATE : Dec. 1, 1999

DATE :

DATE :

LINE DRAWING



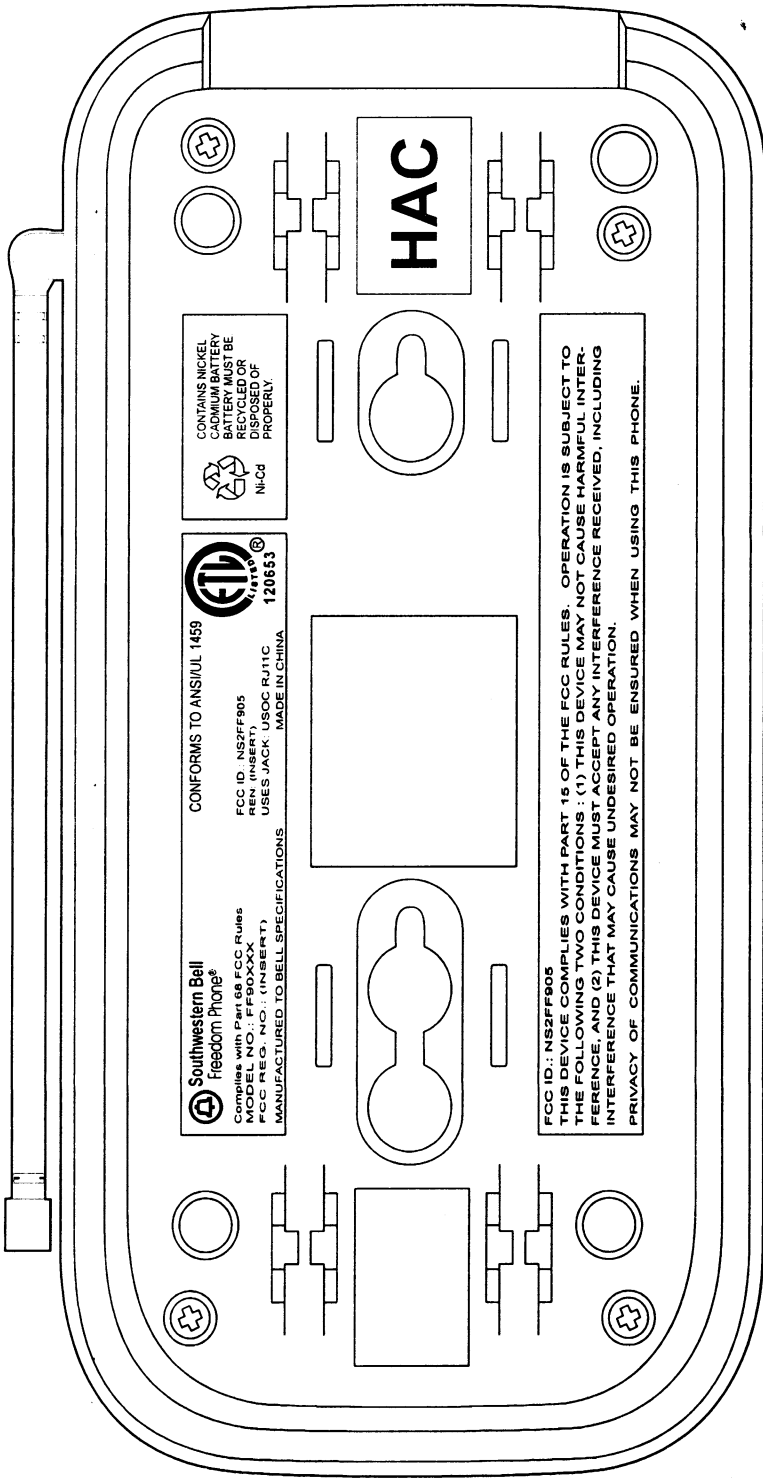
GUANGDONG (BAOAN) COMMUNICATION CO., LTD.
PRODUCT ENGINEERING DEPARTMENT

TITLE : FF90(XXX) Base rear view	REVISION : 01
----------------------------------	---------------

DRAWN BY : Dan Coronia	CHECKED BY :	APPROVED BY :
------------------------	--------------	---------------

DATE : Dec. 1, 1999	DATE :	DATE :
---------------------	--------	--------

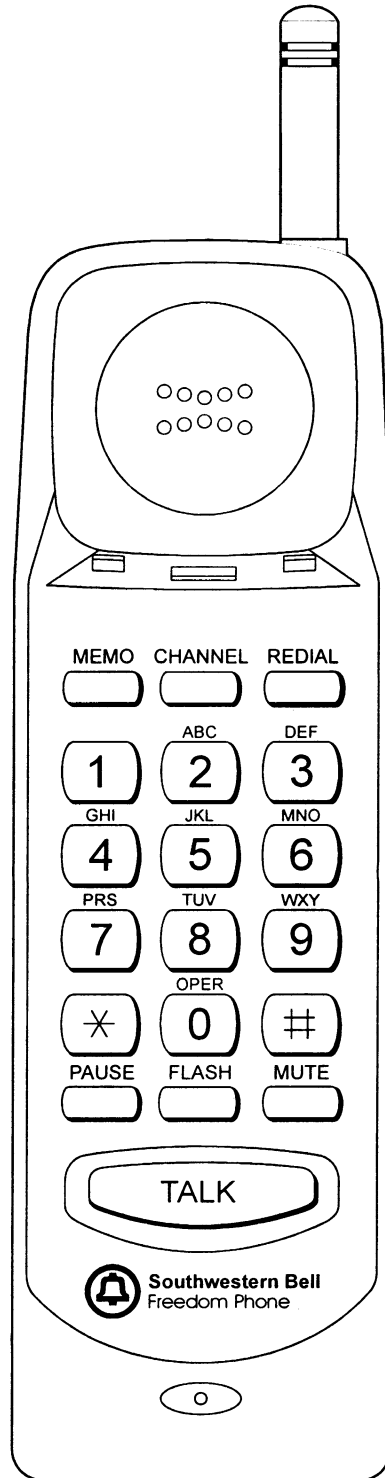
LINE DRAWING



GUANGDONG (BAOAN) COMMUNICATION CO., LTD.
PRODUCT ENGINEERING DEPARTMENT

TITLE : FF90XX (Base Bottom)		REVISION : 01
DRAWN BY : Dan Coronia	CHECKED BY :	APPROVED BY :
DATE : Dec. 1, 1999	DATE :	DATE :

LINE DRAWING



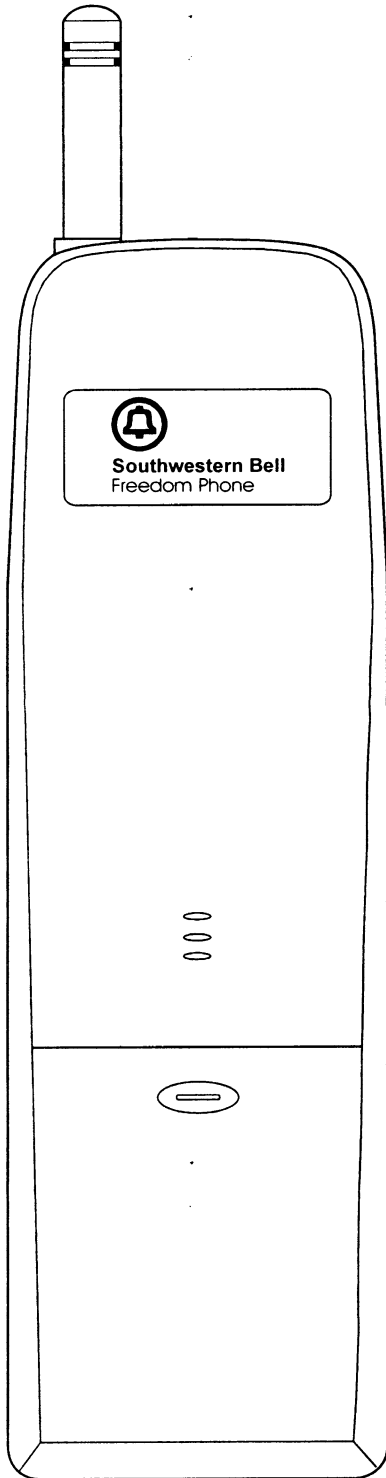
GUANGDONG (BAOAN) COMMUNICATION CO., LTD.
PRODUCT ENGINEERING DEPARTMENT

TITLE : FF90(XXX) Handset Front	REVISION : 01
---------------------------------	---------------

DRAWN BY : Dan Corona	CHECKED BY :	APPROVED BY :
-----------------------	--------------	---------------


DATE : Dec. 1, 1999	DATE :	DATE :
---------------------	--------	--------

LINE DRAWING



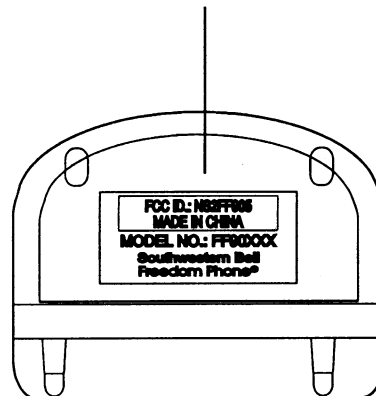
**BATTERY CAUTION LABEL
(TO BE PLACED INSIDE BATTERY COMPARTMENT)**

CAUTION
 TO REDUCE RISK OF FIRE OR
 INJURY, USE ONLY SAME TYPE
 AND MAKE OF BATTERY PACK,
 BYD Model: D-AA600Bx3
 Ni-Cd 3.6V, 600mAh

 NICKEL CADMIUM BATTERY.
 MUST BE RECYCLED OR
 DISPOSED OF PROPERLY.
 USE THE SPECIFIED
 CHARGER

Ni-Cd

H/S FCC LABEL



GUANGDONG (BAOAN) COMMUNICATION CO., LTD.
PRODUCT ENGINEERING DEPARTMENT

TITLE : FF90(XXX) Handset Back and FCC Label		REVISION : 01
DRAWN BY : Dan Corona	CHECKED BY :	APPROVED BY :
DATE : Dec. 1, 1999	DATE :	DATE :