

**EXHIBIT 8**  
**TECHNICAL SPECIFICATIONS**

## INTERTEK TESTING SERVICES

---

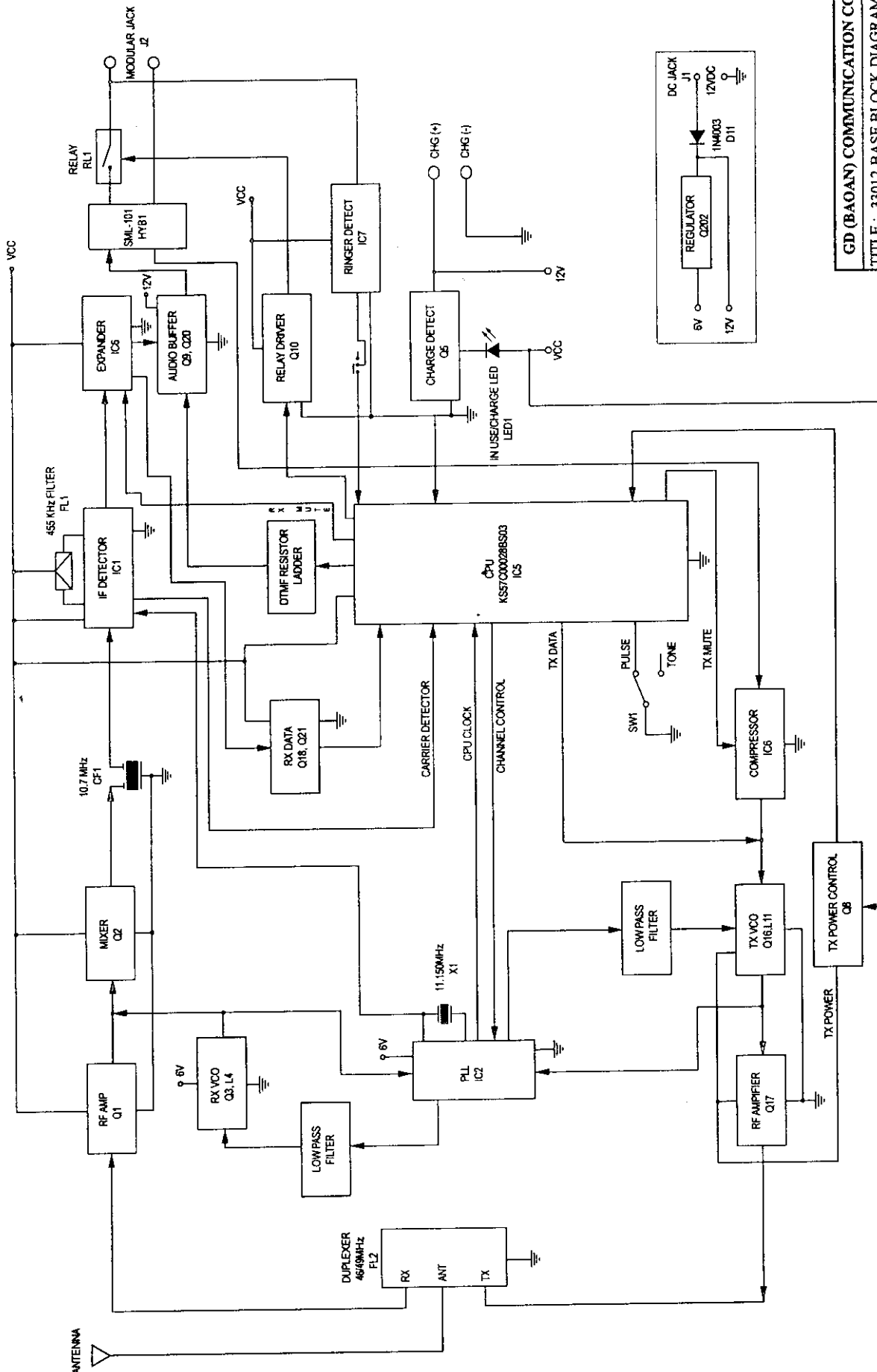
### 8.0 Technical Specifications

The block diagram and circuit diagram are attached in Exhibits 8.1 and 8.2 respectively.

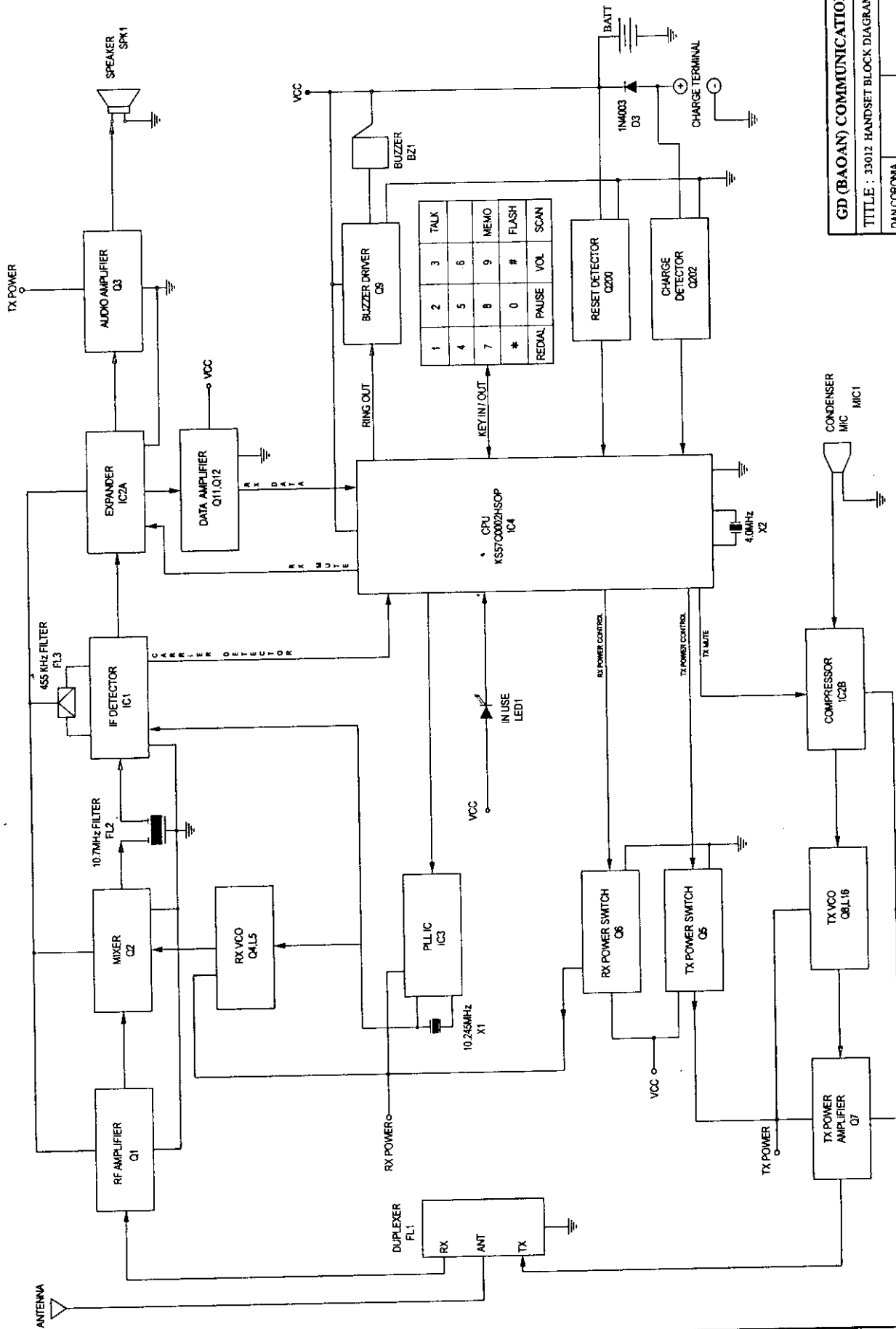
## INTERTEK TESTING SERVICES

---

Figure 8.1 Cordless Telephone Block Diagram



<b>GD (BAOAN) COMMUNICATION CO., LTD.</b>			
<b>TITLE : 33012 BASE BLOCK DIAGRAM</b>			
DAN CORONA	CHECKED BY	CHECKED BY	APPROVED BY
DRAWN BY	CHECKED BY	CHECKED BY	APPROVED BY
DATE : MAY 11, '98	PAGE : 1 OF 1	REVISION : A	



1	2	3	4	5	6	7	8	9	#	FLASH	SCAN
						*	0	PAUSE	VOL		
								REDIAL			