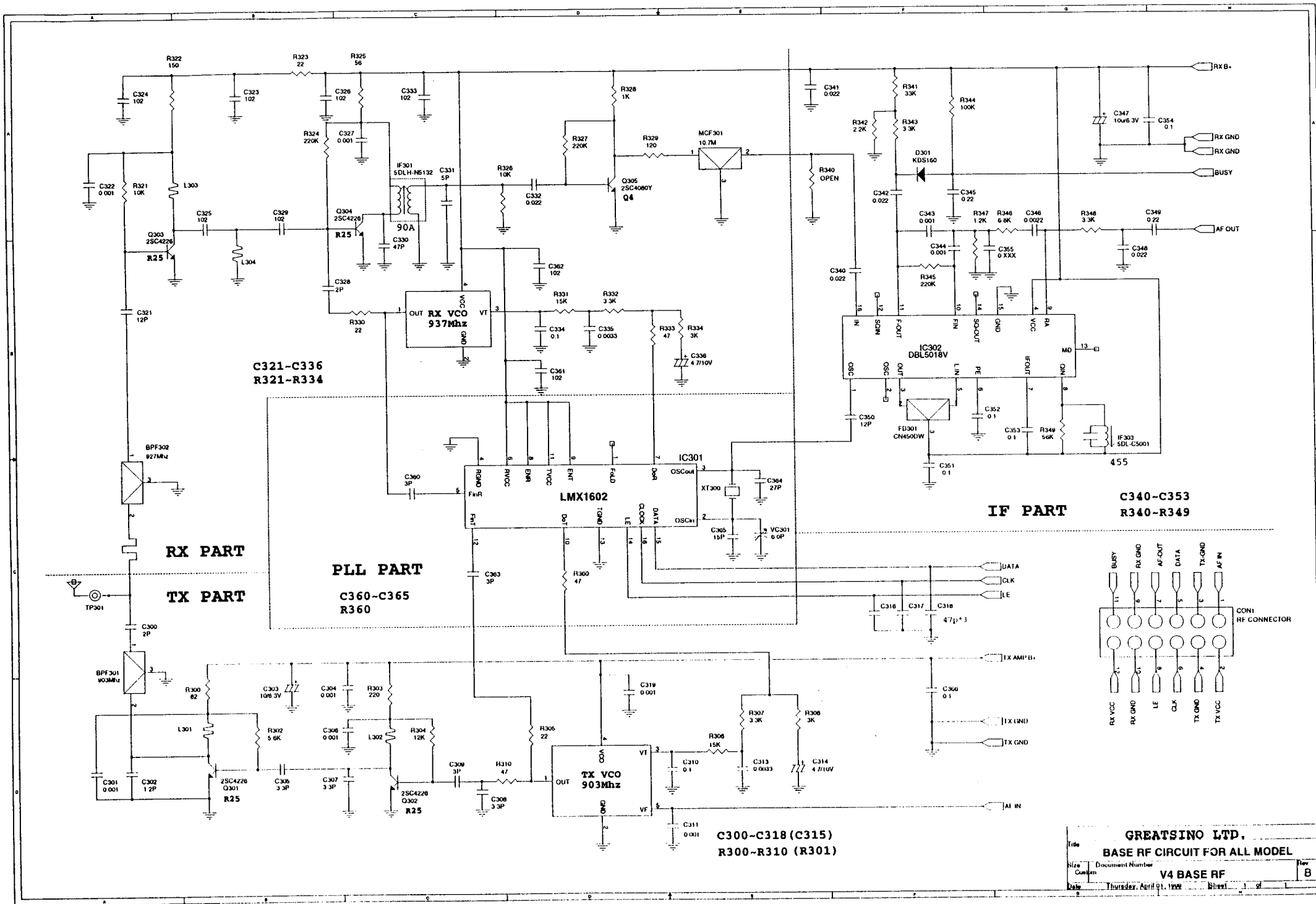


IC1
uPD780022
(78F0034)



C321-C336
R321-R334

RX PART

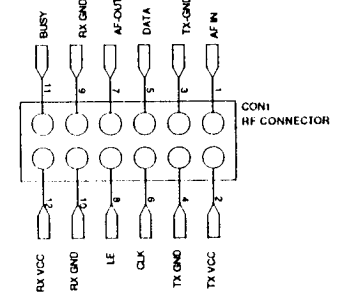
TX PART

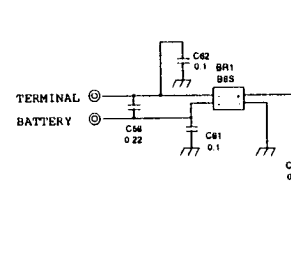
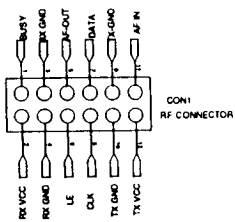
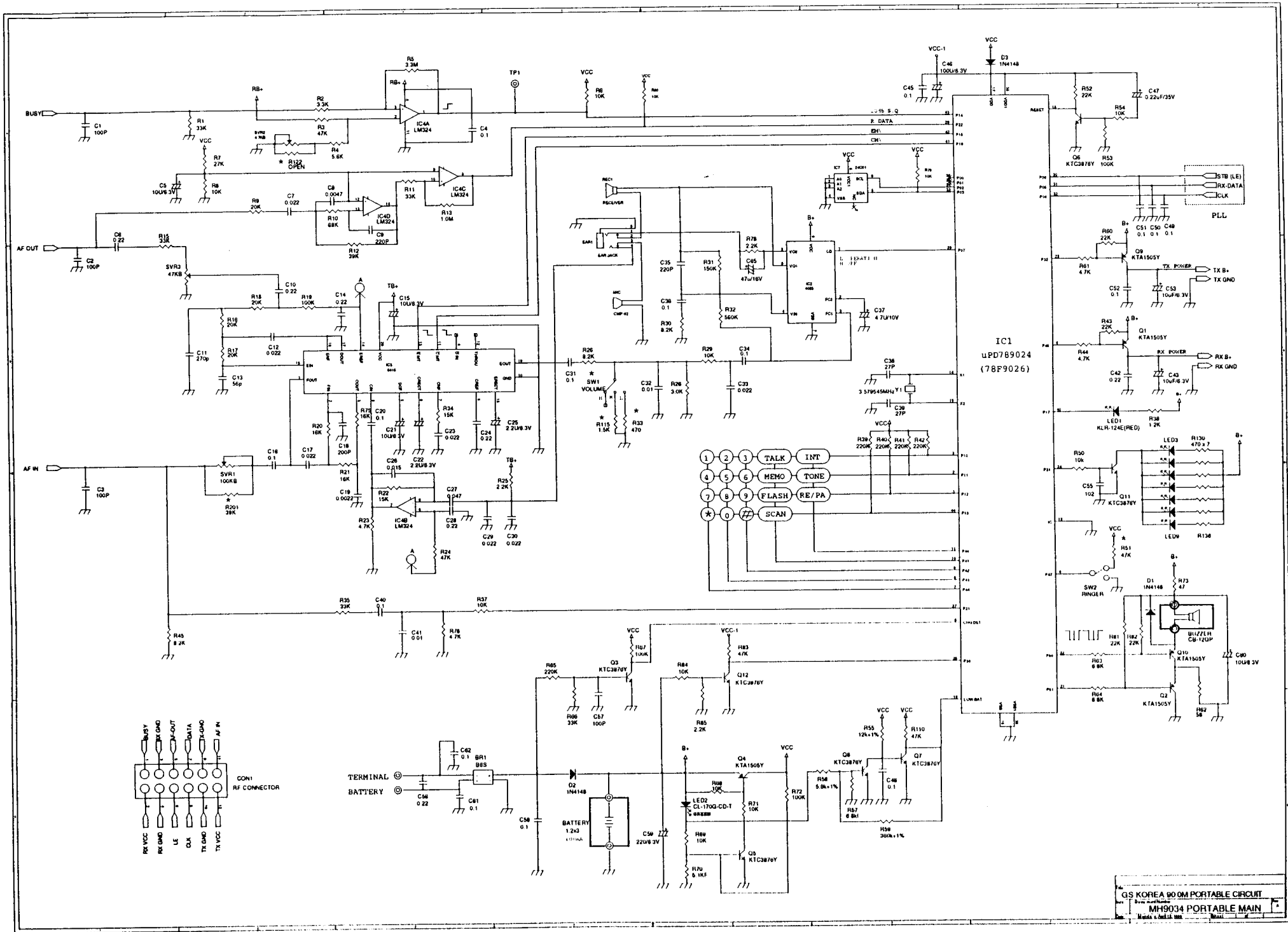
PLL PART
C360-C365
R360

IF PART

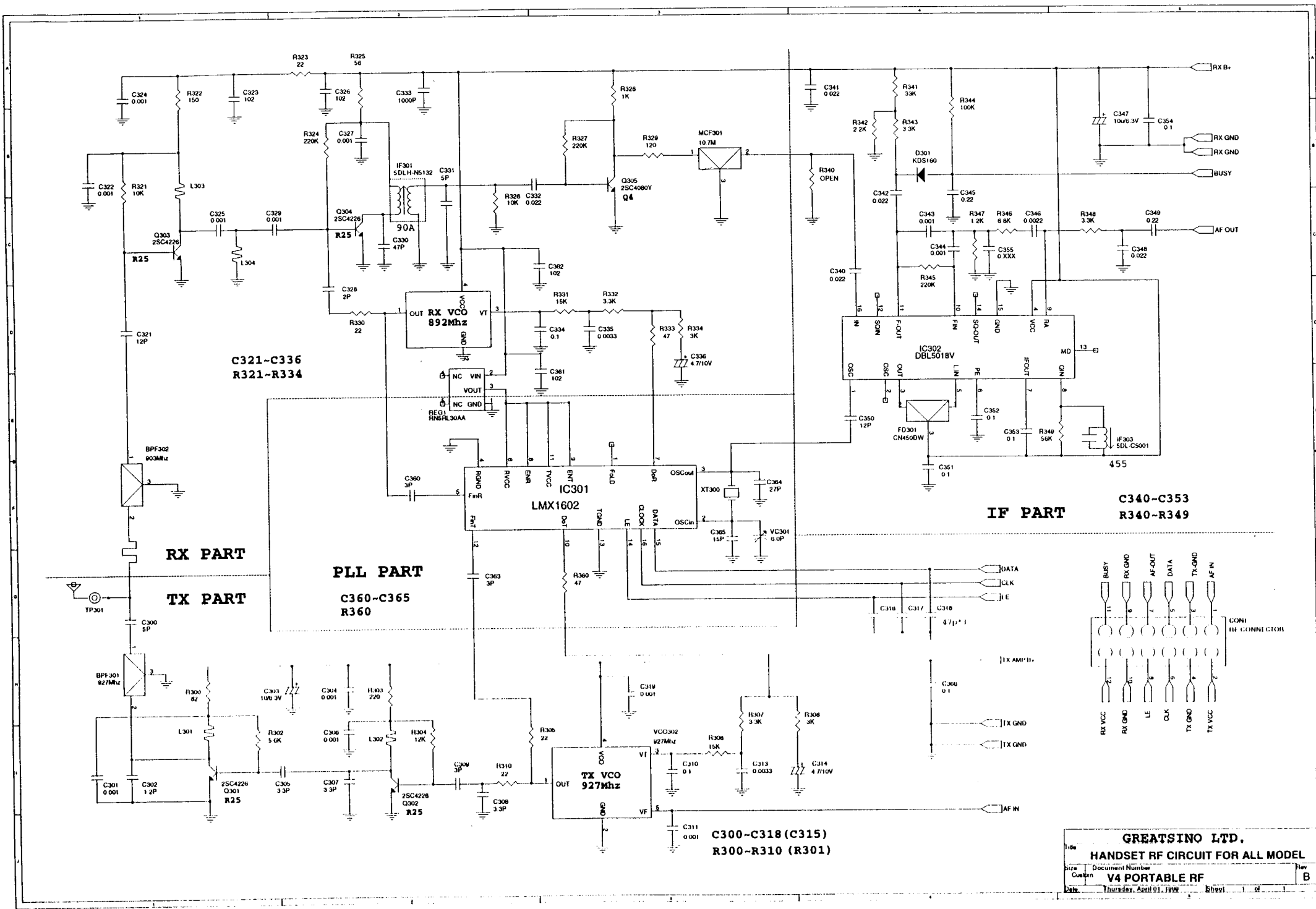
C340-C353
R340-R349

C300-C318 (C315)
R300-R310 (R301)





GS KOREA 90 OM PORTABLE CIRCUIT
 MH9034 PORTABLE MAIN
 Made in Korea



C321-C336
R321-R334

RX PART

TX PART

PLL PART

C360-C365
R360

IF PART

C340-C353
R340-R349

C300-C318 (C315)
R300-R310 (R301)

GREATSINO LTD.			
HANDSET RF CIRCUIT FOR ALL MODEL			
Size	Document Number	Rev	B
Question	V4 PORTABLE RF		
Date	Thursday, April 01, 1999	Sheet	1 of 1