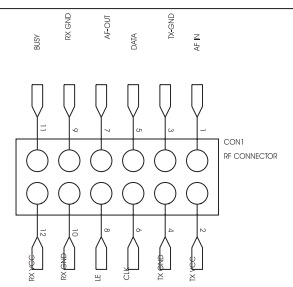
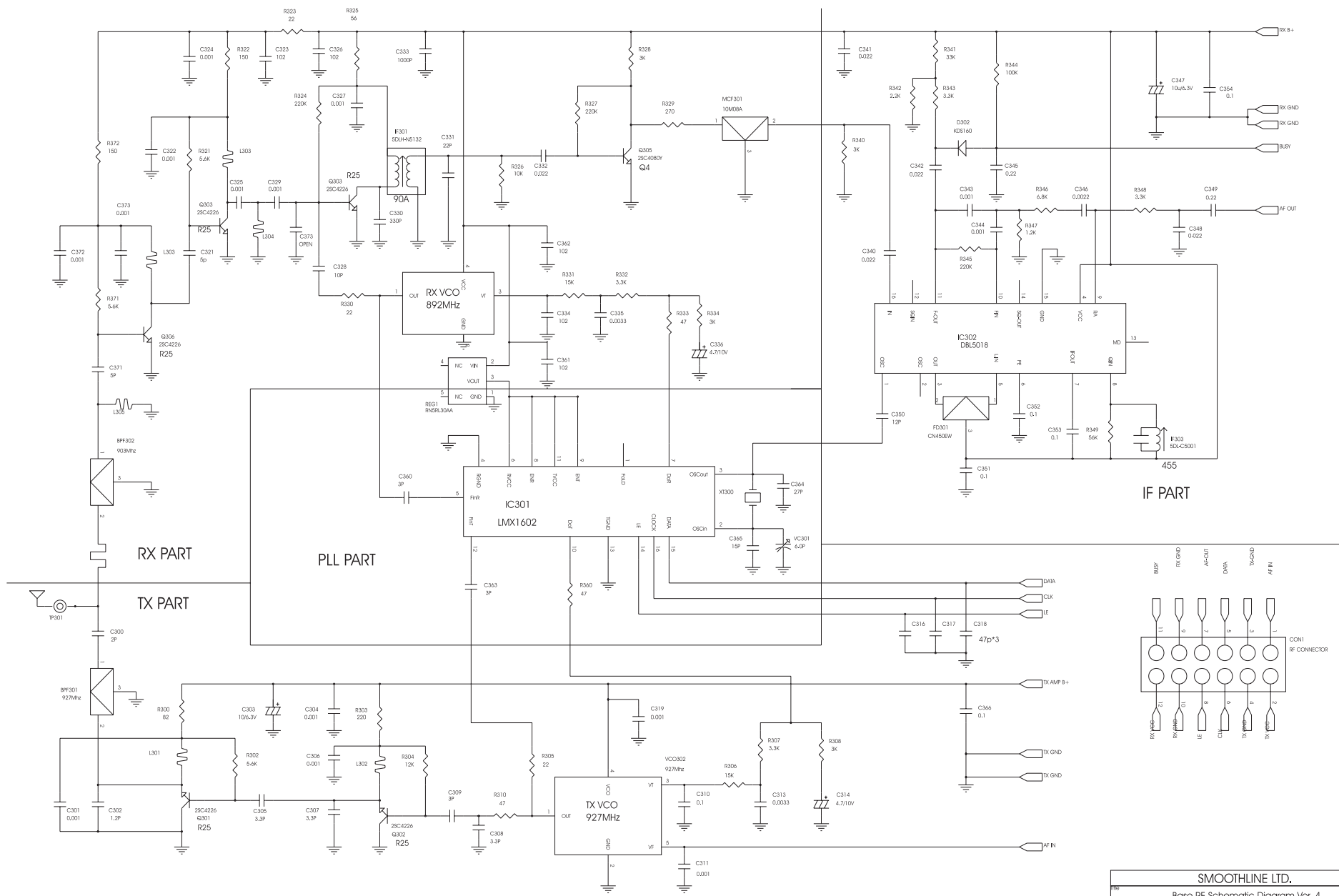


SMOOTHLINE LTD.		SEE 19-2, 12-7
Base RF Schematic Diagram Ver. 4		
REV	DESCRIPTION	REV
001	Custom	1
DATE	SOULSBY, WINTERFIELD, U.S.A.	PROJECT
		1 of 1



SMOOTHLINE LTD.	
Base RF Schematic Diagram Ver. 4	
Doc: Custom	Measurement Number: PORTABLE RF [V4]
Date: 2014-02-10 10:00:00	Page: 1 of 1