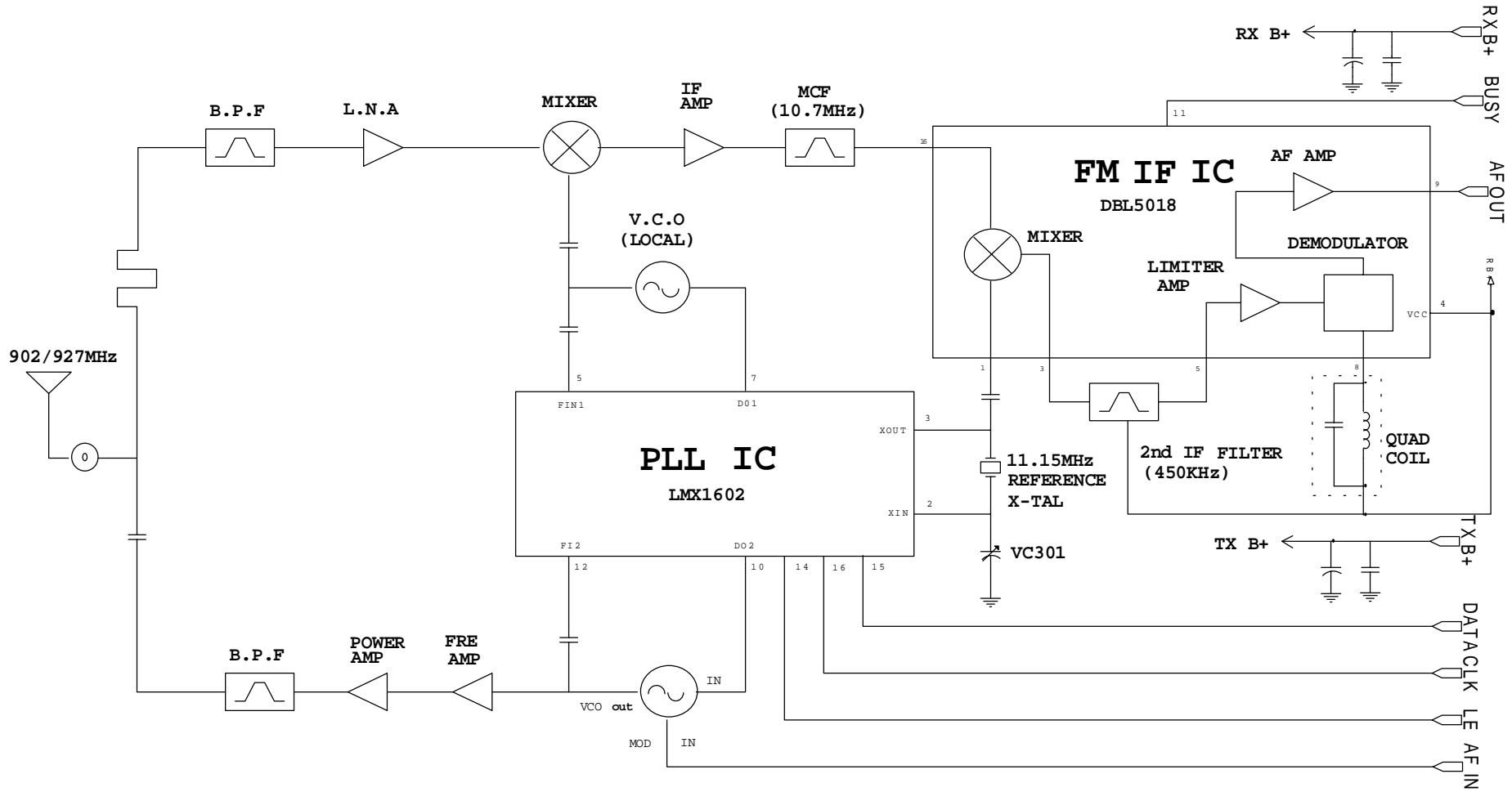
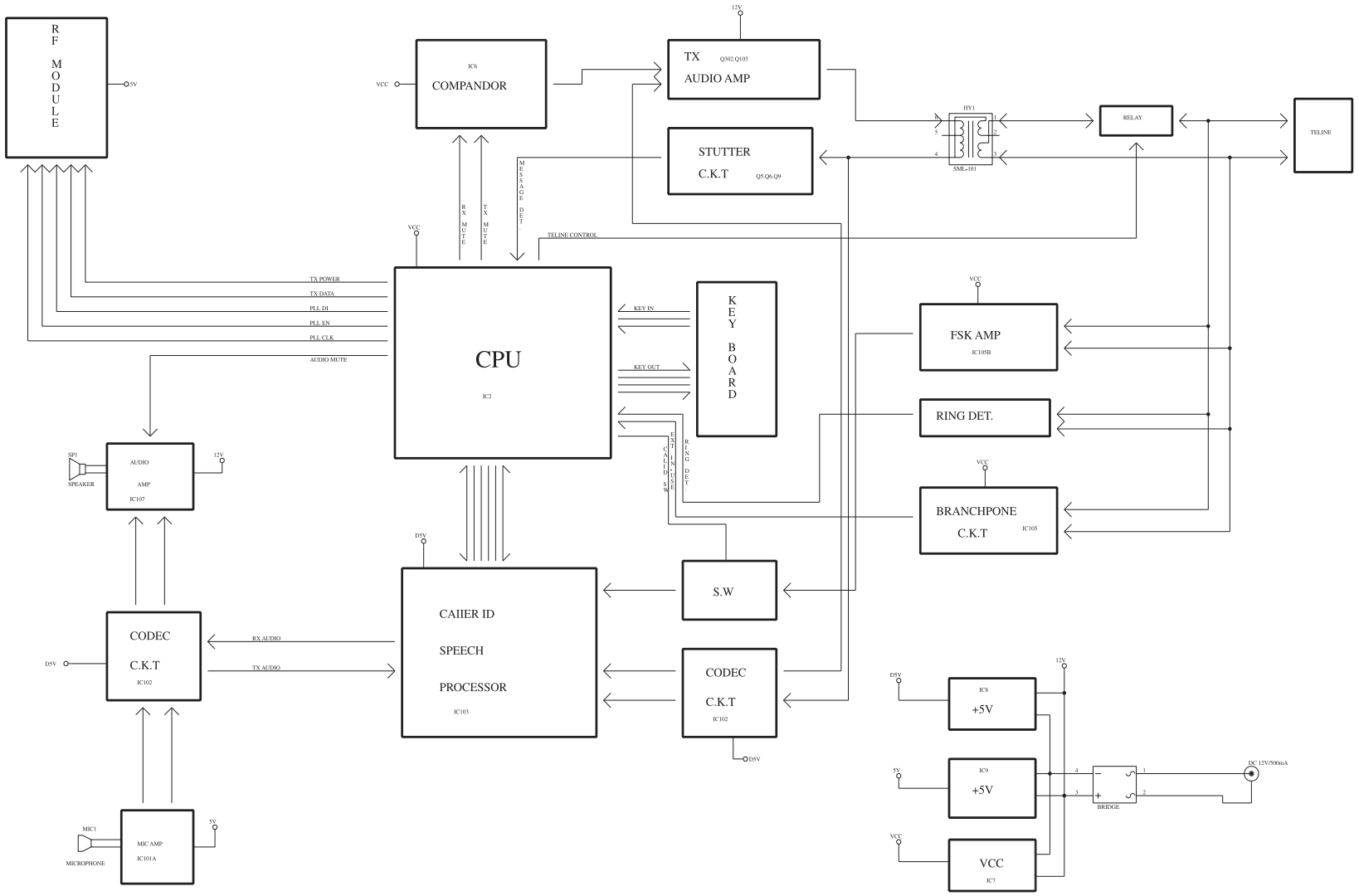


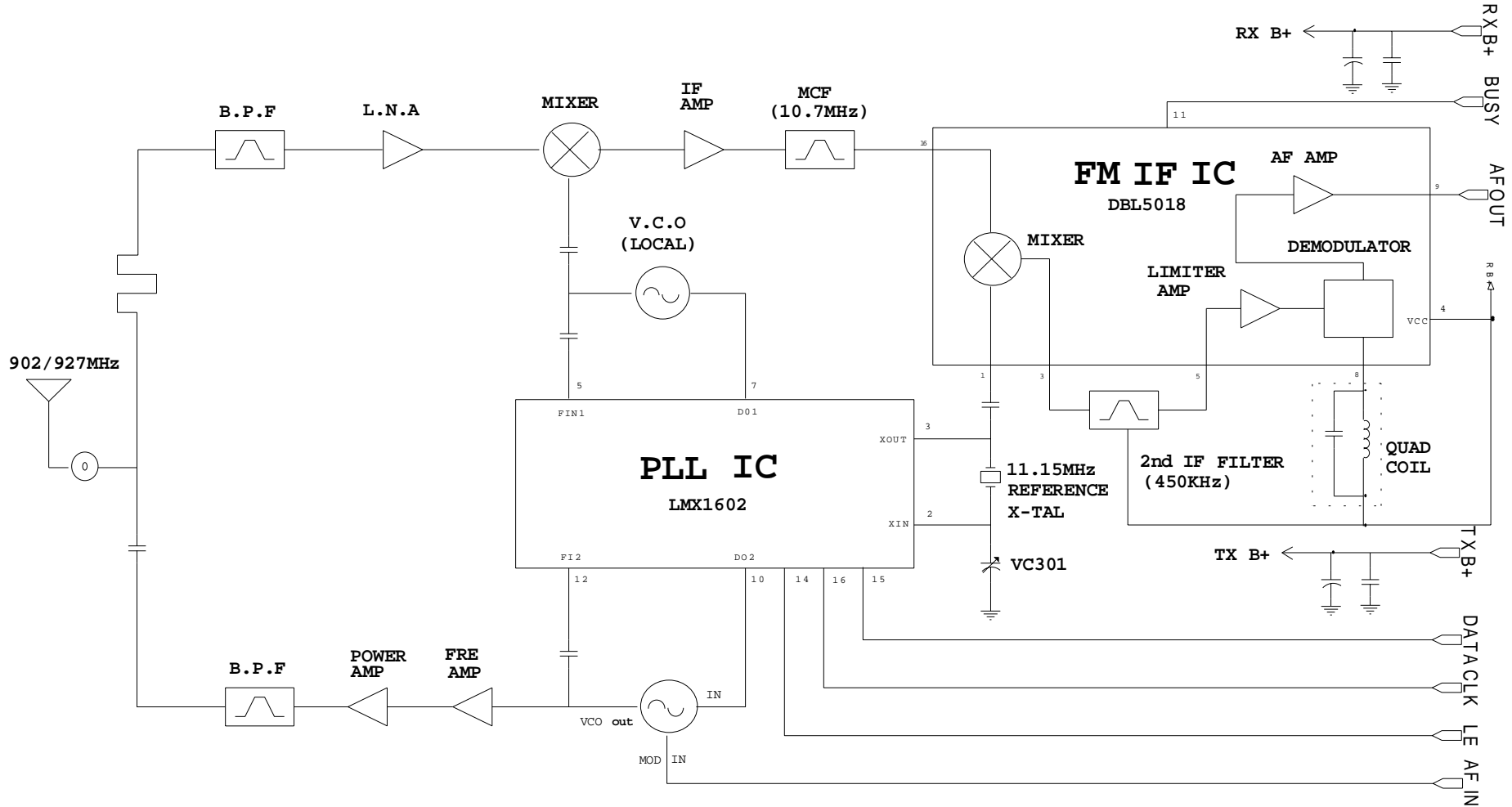
BASE RF BLOCK DIAGRAM



SMOOTHLINE LTD.		
File		
Size	Document Number	Rev
A3	BASE RF BLOCK DIAGRAM	
Date:	Saturday, November 07, 1998 1 of 1	

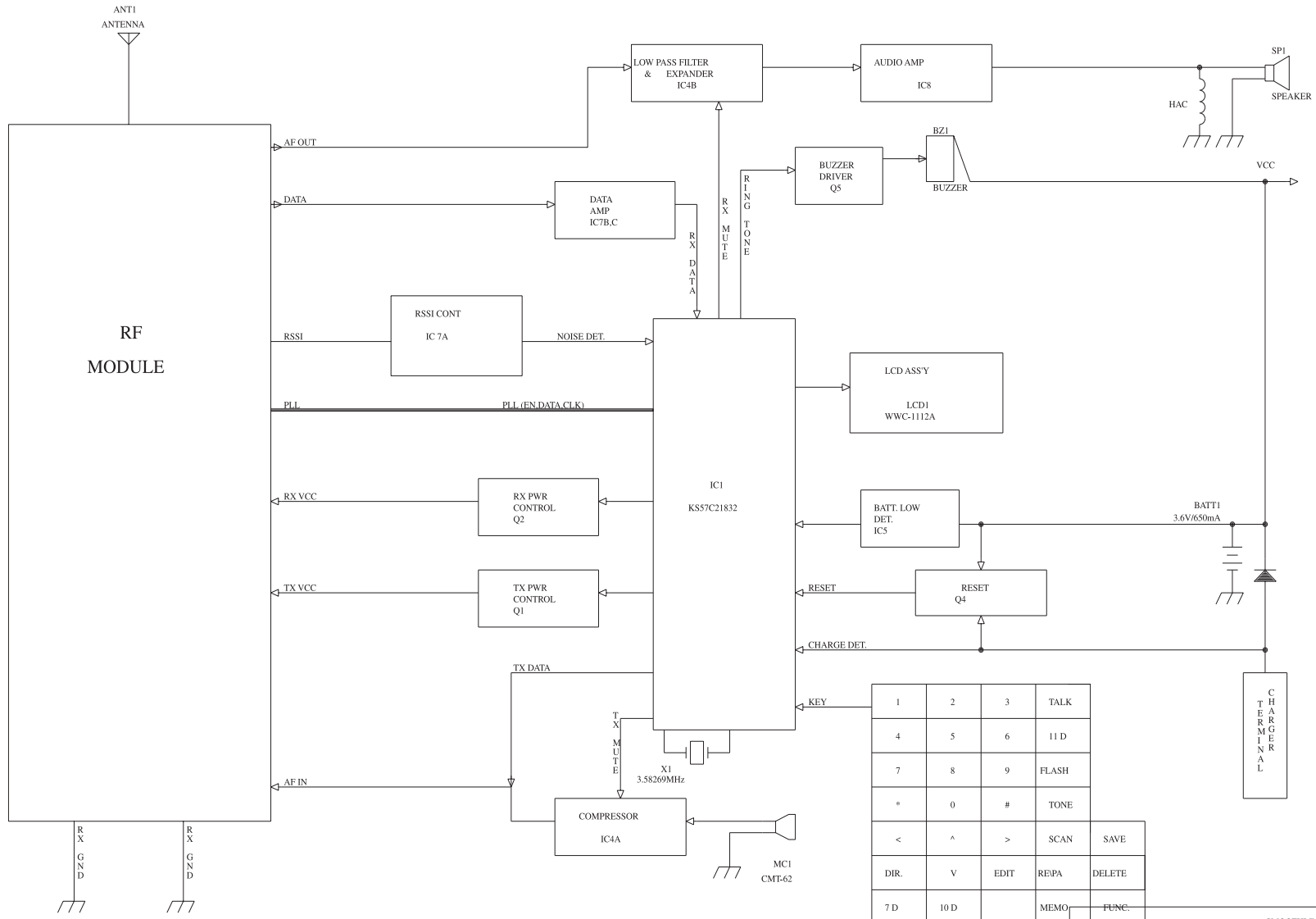


PORT RF BLOCK DIAGRAM



SMOOTHLINE LTD.			
Title			Rev
Size	Document Number		
A3	PORT RF BLOCK DIAGRAM		
Date:	Saturday, November 07, 1998	of	1

900MHz CID HANDY (V4) BLOCK DIAGRAM



SMOOTHLINE LTD.

Size	Document Number	REV
B	9910V4 HANDY CID BLOCK DIAGRAM	A
Date:	December 19, 1998	Sheet 2 of 2