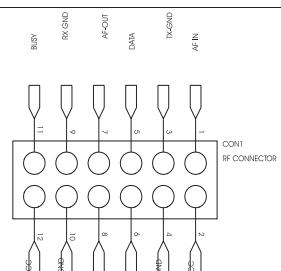
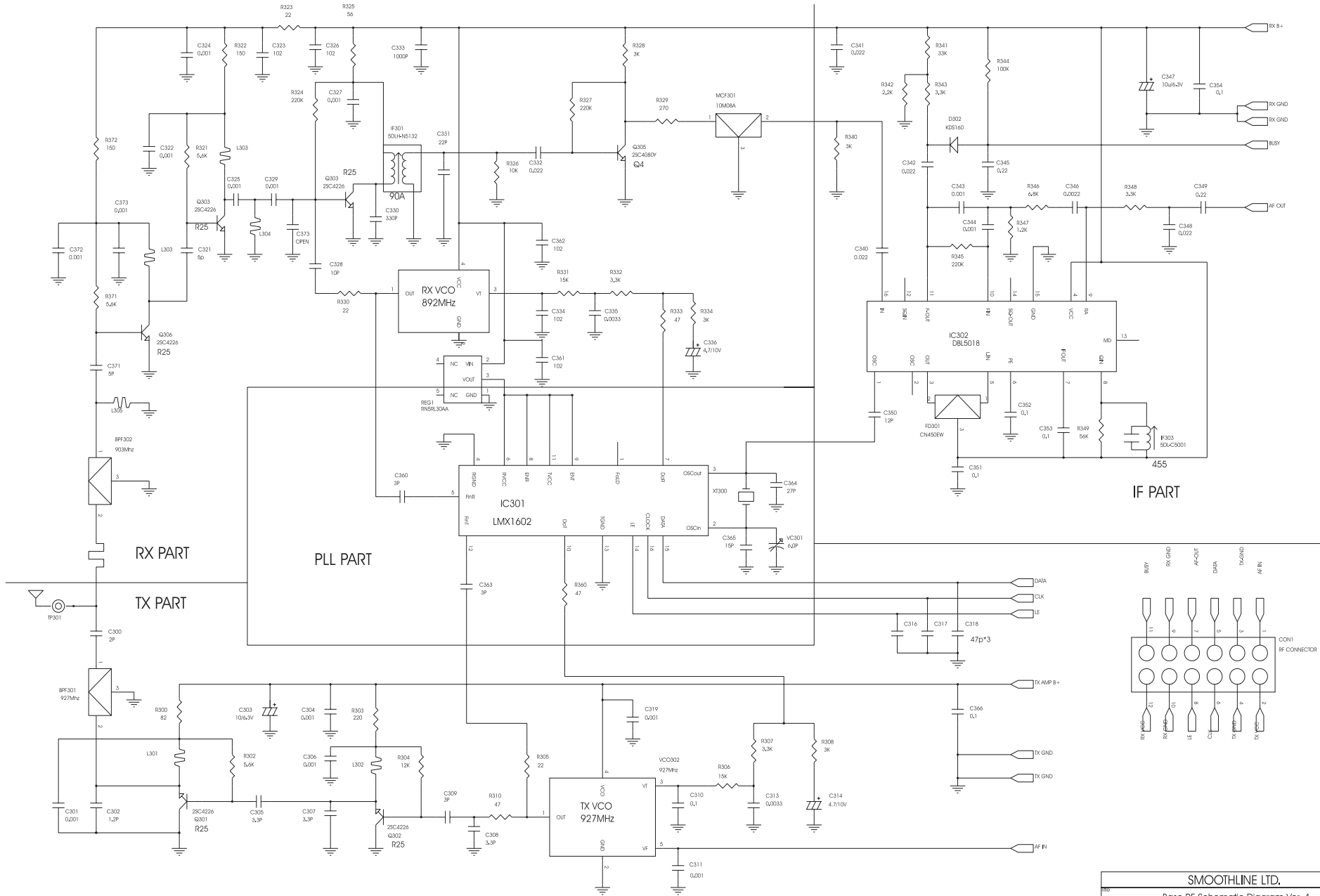


SEE 19.2, 12.7

SMOOTHLINE LTD.	
Base RF Schematic Diagram Ver. 4	
REV	DESCRIPTION
01	Custom BASE RF (V4)
DATE	1 OF 1



SMOOTHLINE LTD.		
Base RF Schematic Diagram Ver. 4		
Doc	Document number	REV
Custom	PORTABLE RF (V4)	1
Date	Saturday, November 07, 1998	Page 1 of 1