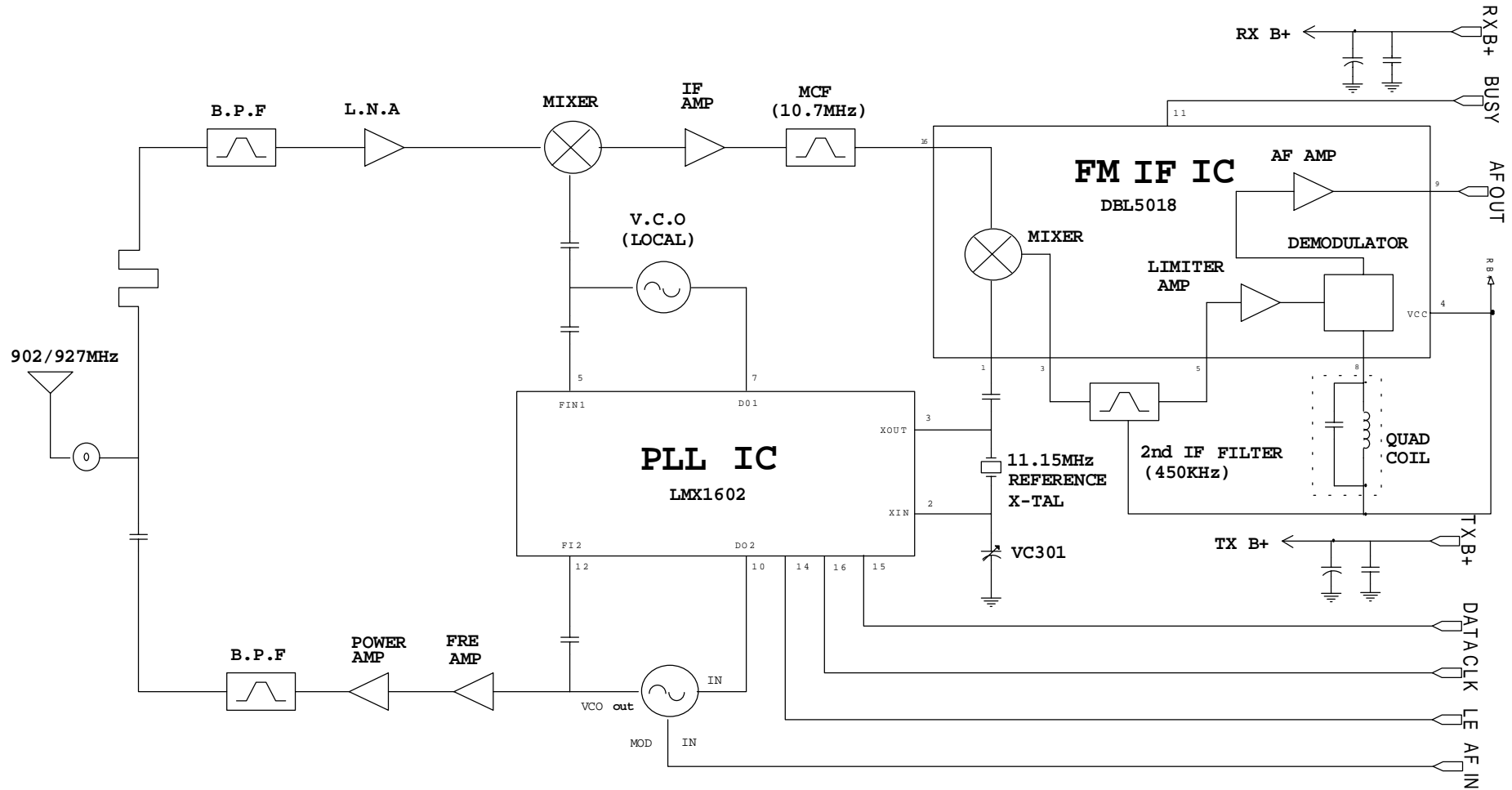
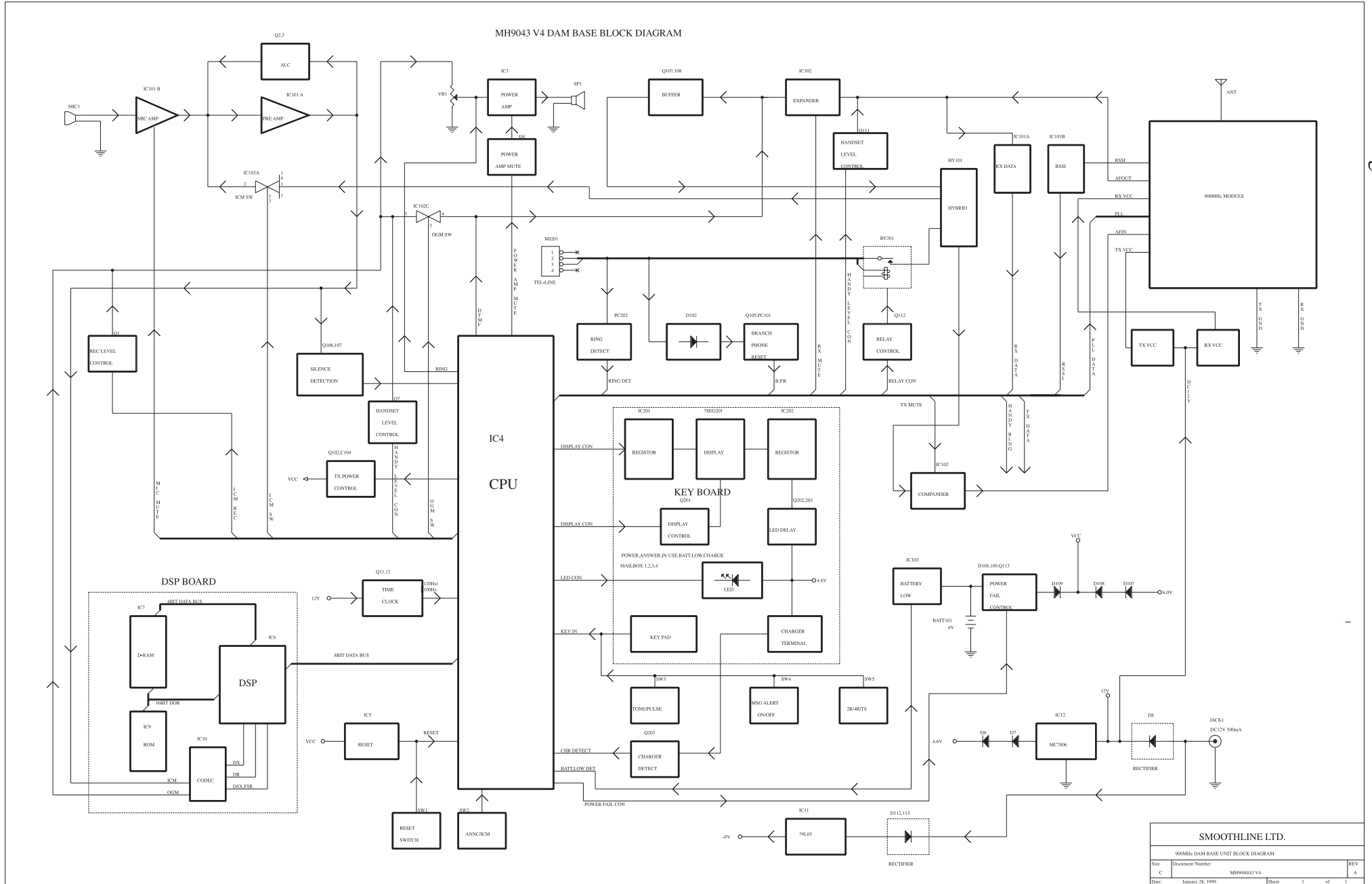


BASE RF BLOCK DIAGRAM

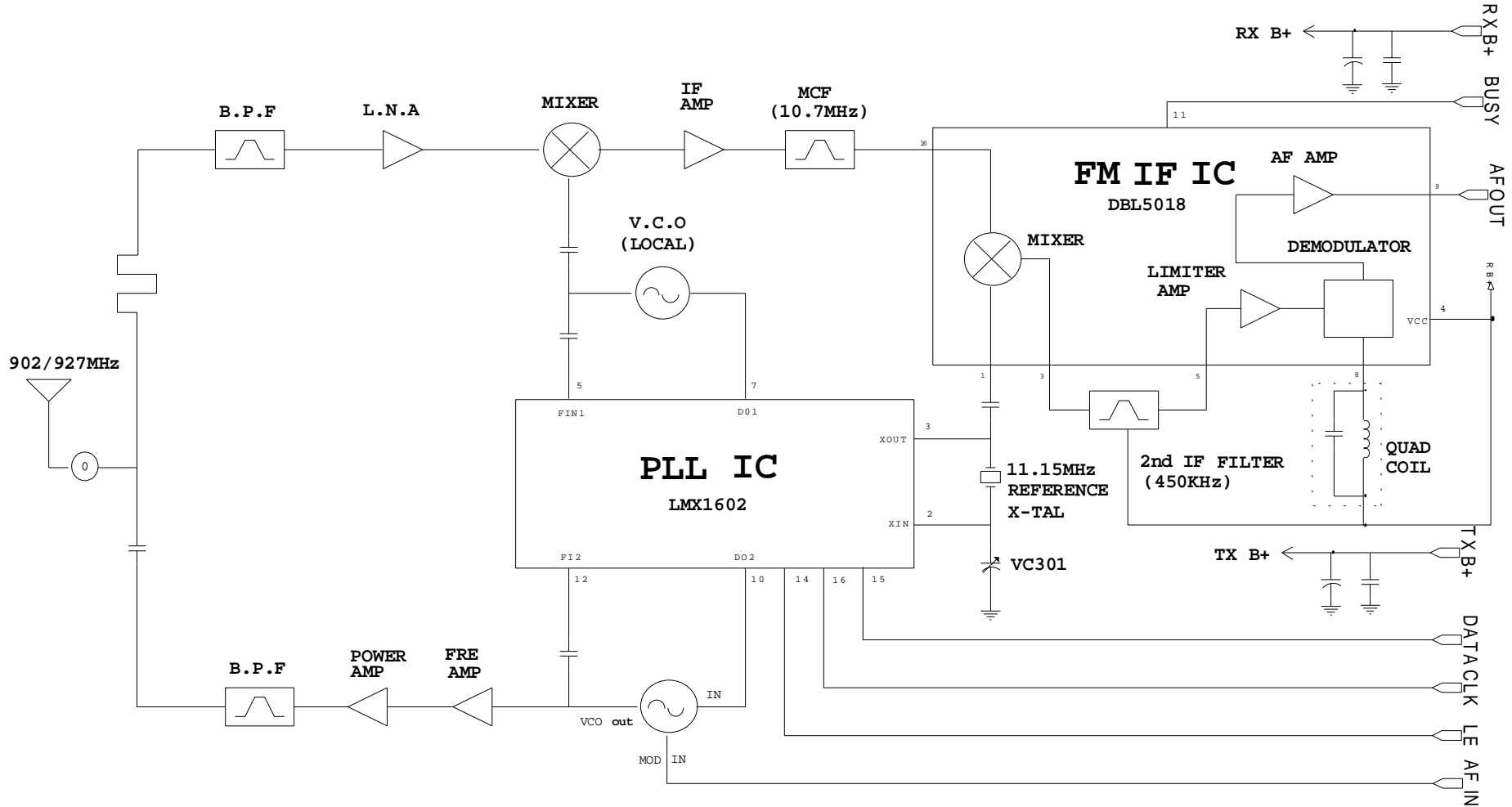


| | | |
|-----------------|------------------------------------|-----|
| SMOOTHLINE LTD. | | |
| File | | |
| Size | Document Number | Rev |
| A3 | BASE RF BLOCK DIAGRAM | |
| Date: | Saturday, November 07, 1998 1 of 1 | |



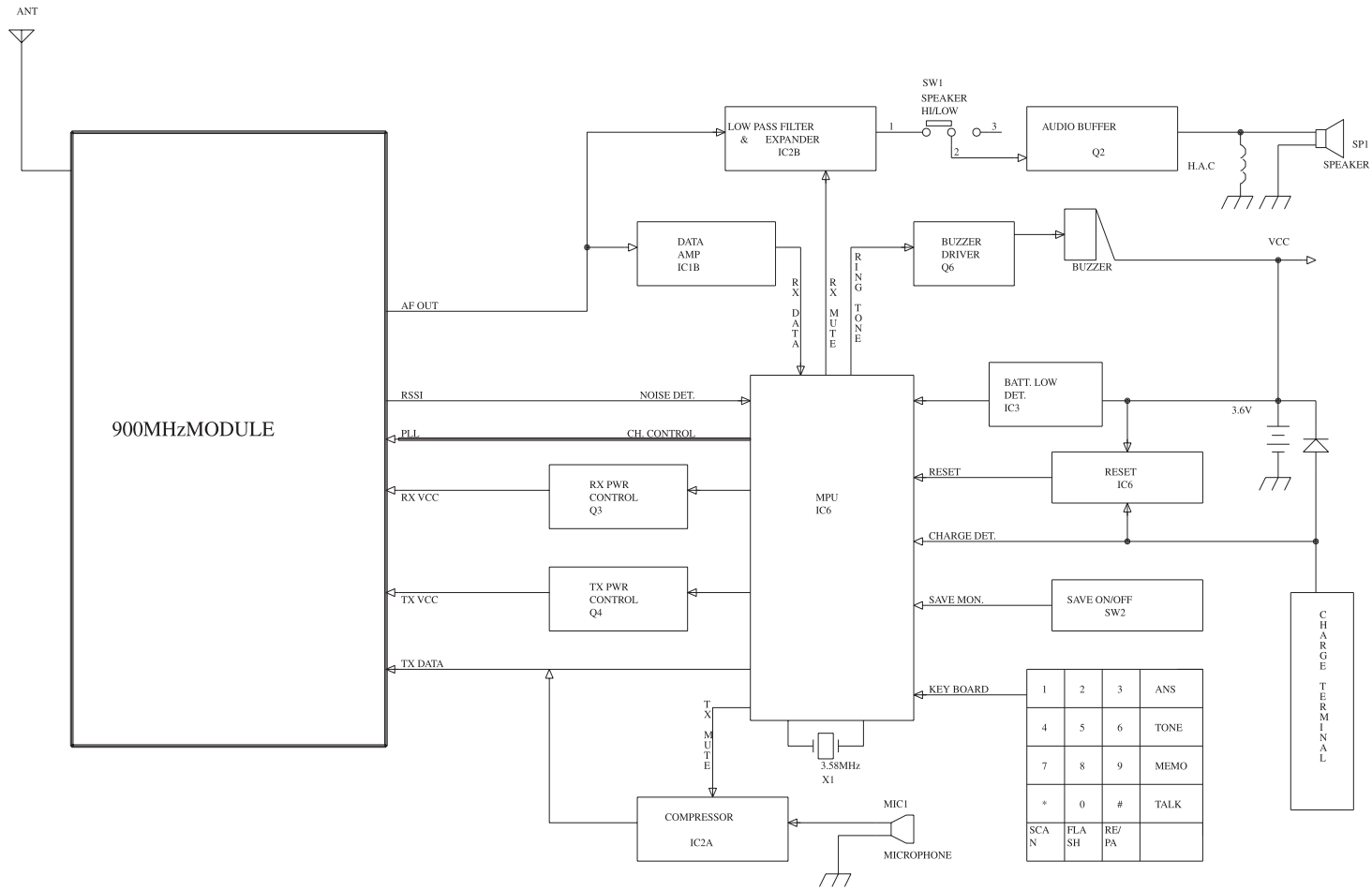
| | | | |
|------------------------------------|------------------|-------|--------|
| SMOOTHLINE LTD. | | | |
| 900MHz DAM BASE UNIT BLOCK DIAGRAM | | | |
| Size | Document Number | REV | A |
| C | MH9043 V4 | | |
| Date | January 28, 1999 | Sheet | 1 of 1 |

PORT RF BLOCK DIAGRAM



| | | | |
|-----------------|-----------------------------|-----|---|
| SMOOTHLINE LTD. | | | |
| Title | | | |
| Size | Document Number | Rev | |
| A3 | PORT RF BLOCK DIAGRAM | | |
| Date: | Saturday, November 07, 1998 | of | 1 |

MH9043 V4 DAM HANDY BLOCK DIAGRAM



| | | | |
|----------------------------------|------------------|-------|--------|
| SMOOTHLINE LTD. | | | |
| 900MHz DAM HANDSET BLOCK DIAGRAM | | | |
| Size | Document Number | | REV |
| B | MH9040/43 V4 | | A |
| Date: | January 28, 1999 | Sheet | 1 of 1 |