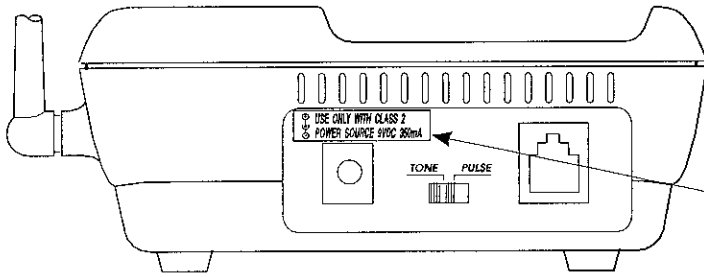
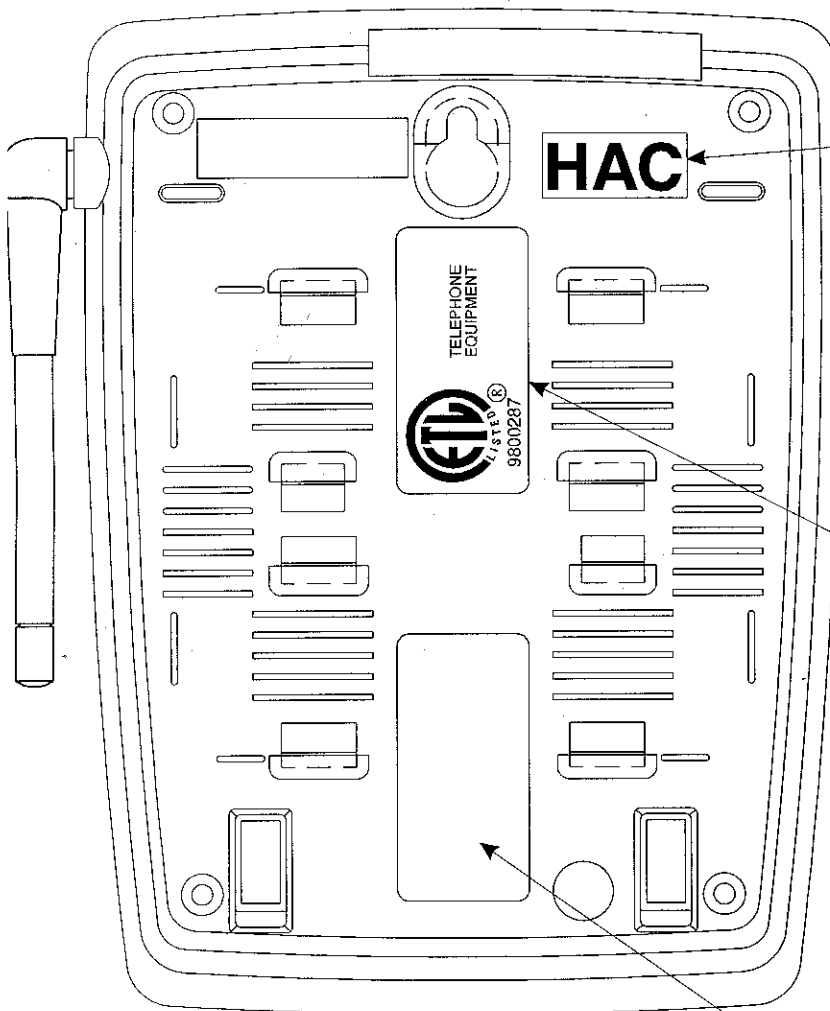


LABELLING INFORMATION FOR MODEL MH9003 SERIES



USE ONLY WITH CLASS 2
POWER SOURCE 9VDC 350mA

PRINTED ON LABEL



ENGRAVED ON CABINET

HAC

TELEPHONE
EQUIPMENT
ETL LISTED®
9800287



ENGRAVED ON CABINET

BELLSOUTH MODEL NO.: MH9003
FCC ID: NQL9910

COMPLIES WITH PART 68 FCC RULES.
FCC REGISTRATION NO.: XXXXXX-XXXX-XX-X
RINGER EQUIVALENCE NO.: 1.08
CONNECT TO RJ11C

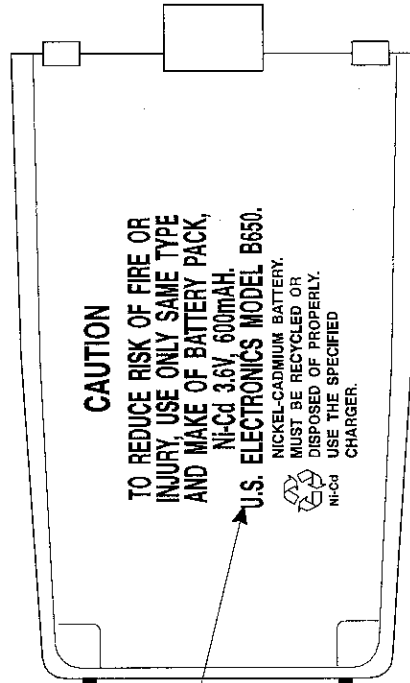
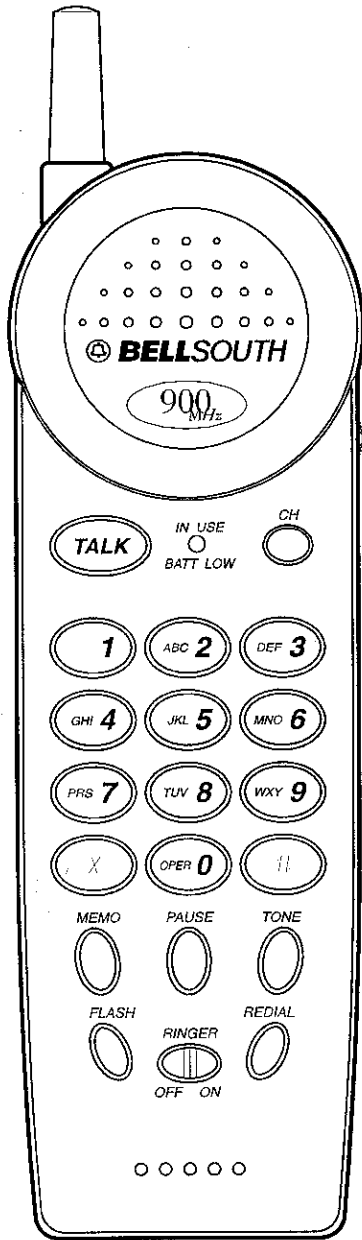
THIS DEVICE COMPLIES WITH PART 15 OF THE FCC RULES. OPERATION IS SUBJECT TO THE FOLLOWING TWO CONDITIONS: (1) THIS DEVICE MAY NOT CAUSE HARMFUL INTERFERENCE, AND (2) THIS DEVICE MUST ACCEPT ANY INTERFERENCE RECEIVED, INCLUDING INTERFERENCE THAT MAY CAUSE UNDESIRABLE OPERATION.

PRIVACY OF COMMUNICATIONS MAY NOT BE ENSURED WHEN USING THIS PHONE.

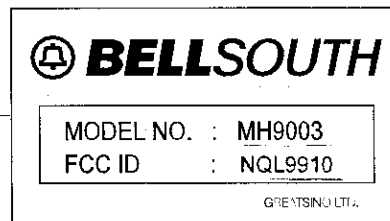
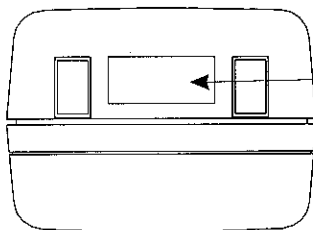
M 9/03/98 G 1/15/00

PRINTED ON THE LABEL

LABELLING INFORMATION FOR MODEL MH9003 SERIES



ENGRAVED ON THE CABINET



PRINTED ON THE LABEL



BELLSOUTH

MODEL NO. : MH9003

FCC ID : NQL9910

GREENTSON LTD.

PRINTED ON THE LABEL



BELLSOUTH

MODEL NO. : MH9003

FCC ID : NQL9910

COMPLIES WITH PART 68 FCC RULES.

FCC REGISTRATION NO.: XXXXXX-XXXXX-XX-X

RINGER EQUIVALENCE NO.: 1.0B

CONNECT TO RJ11C

THIS DEVICE COMPLIES WITH PART 15 OF THE FCC RULES. OPERATION IS SUBJECT TO THE FOLLOWING TWO CONDITIONS: (1) THIS DEVICE MAY NOT CAUSE HARMFUL INTERFERENCE, AND (2) THIS DEVICE MUST ACCEPT ANY INTERFERENCE RECEIVED, INCLUDING INTERFERENCE THAT MAY CAUSE UNDESIRE OPERATION.

PRIVACY OF COMMUNICATIONS MAY NOT BE ENSURED WHEN USING THIS PHONE.

M E I N C H I N G E I S I N U . I .

PRINTED ON THE LABEL