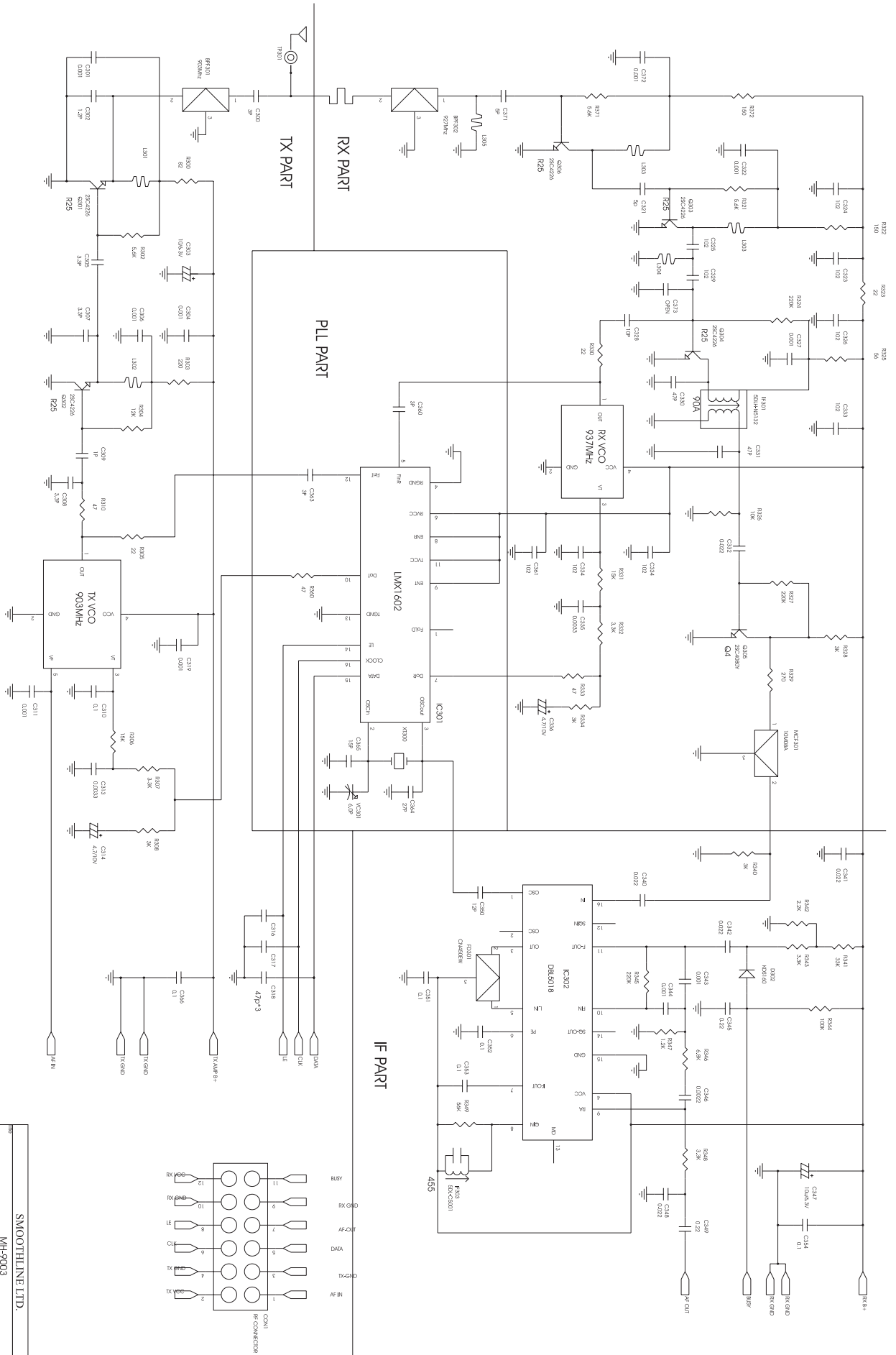
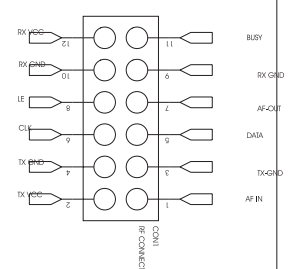


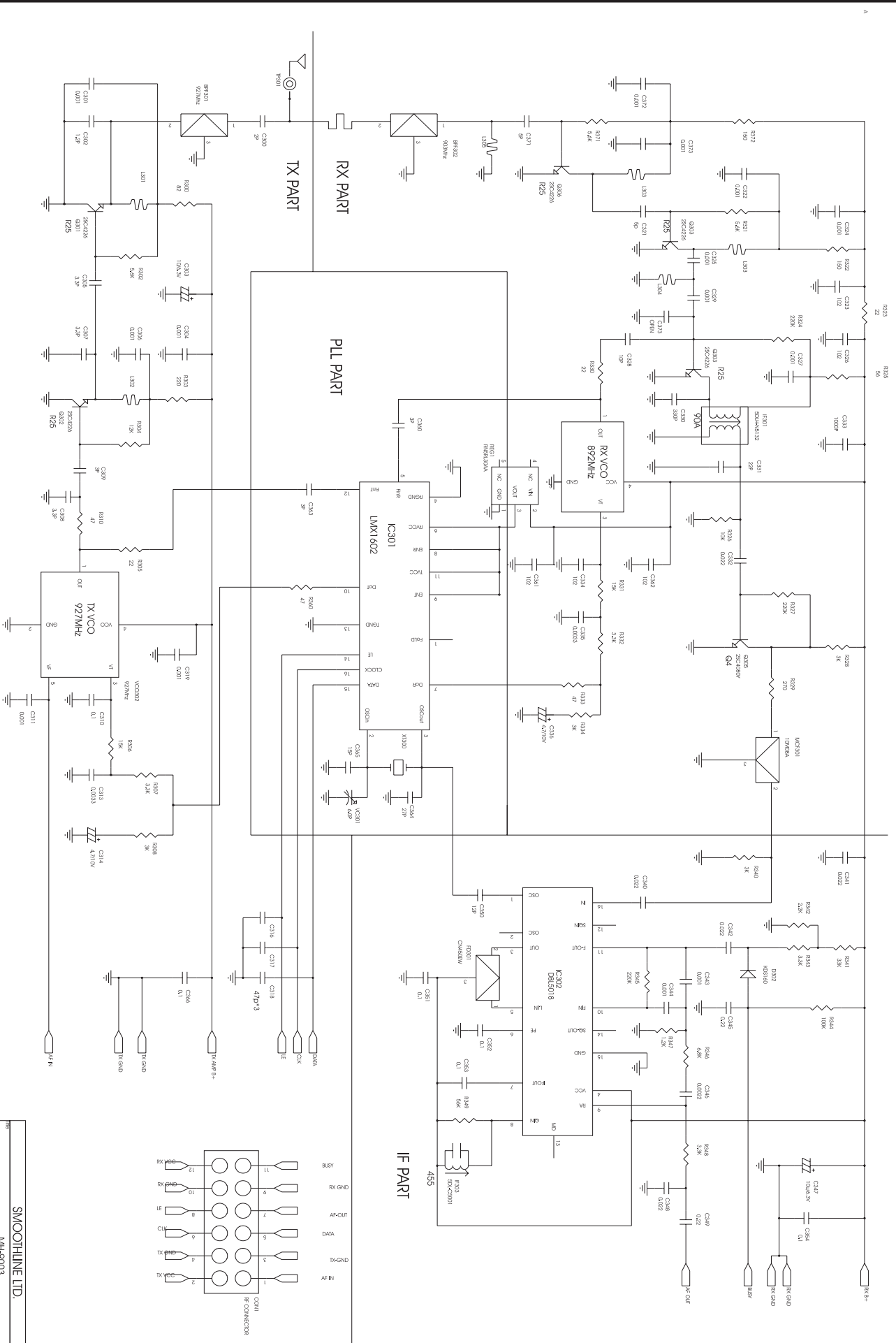
# Base RF Schematic Diagram



SMOOTHLINE LTD.	
MH-9003	
BASE RF (V4)	
REV	1
DATE	19.3.12.7



# Handset RF Schematic Diagram



SMOOTHLINE LTD.	
MHP-9003	
PORTABLE RF (V4)	
REV	1

