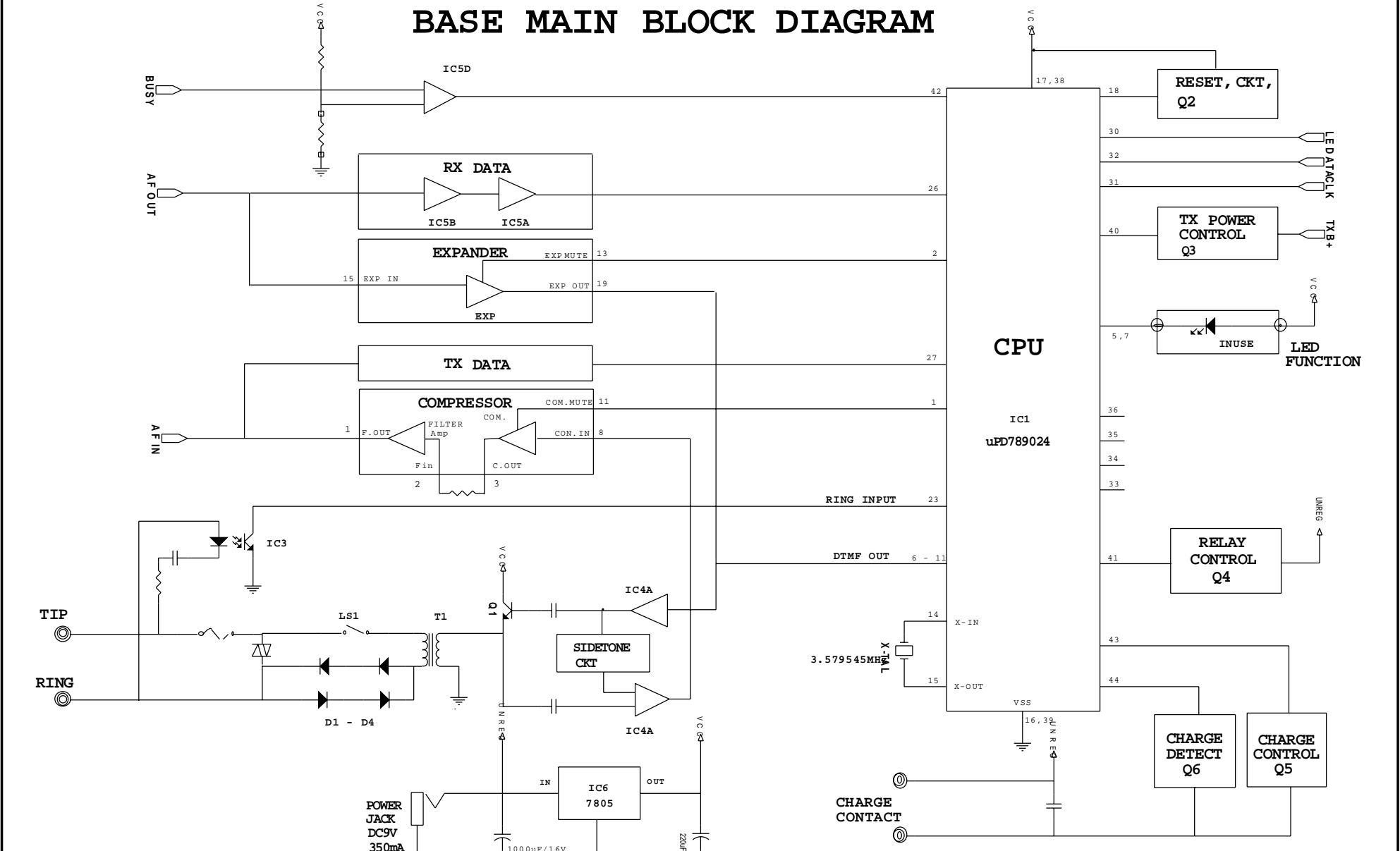
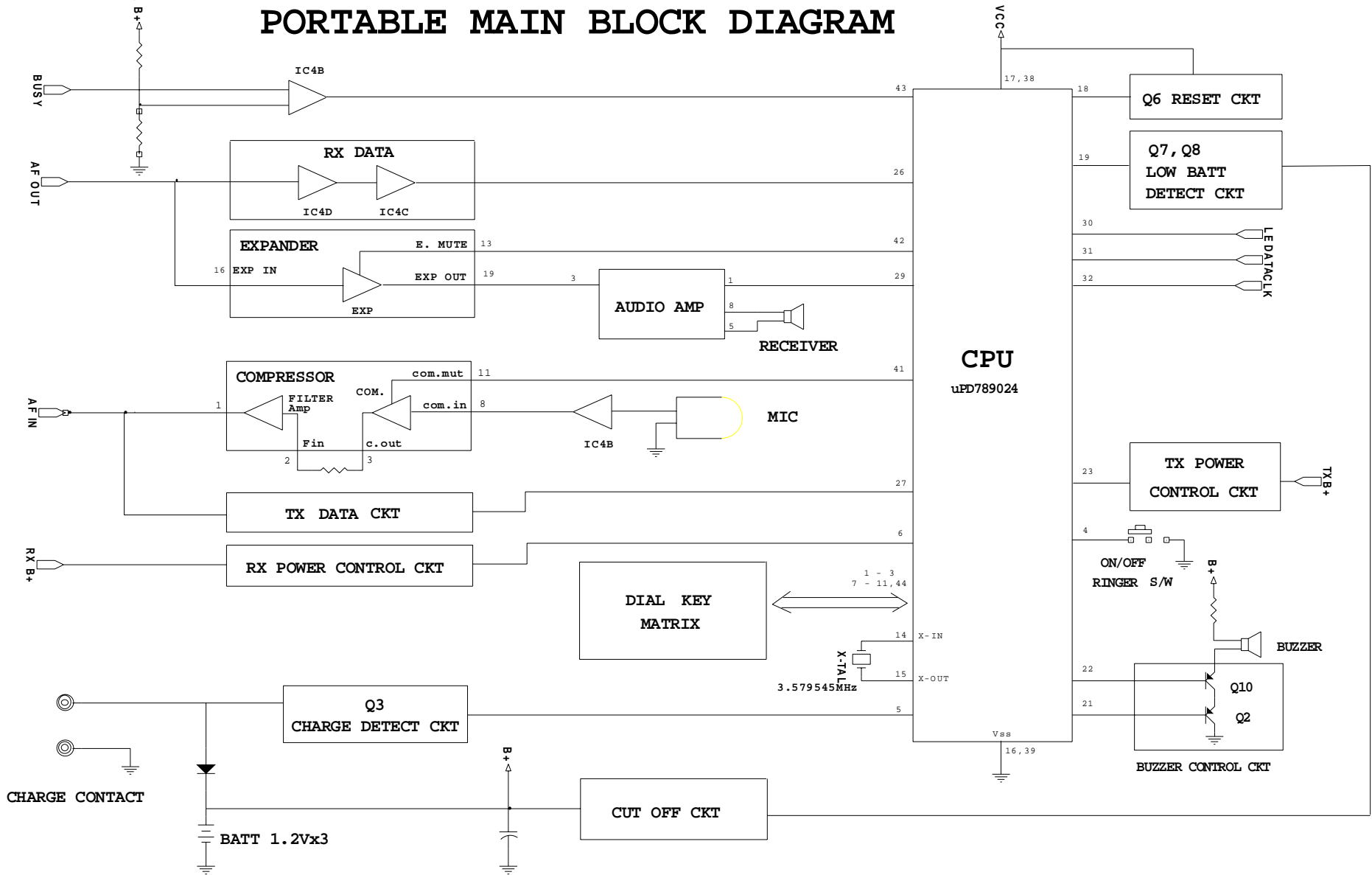


BASE MAIN BLOCK DIAGRAM



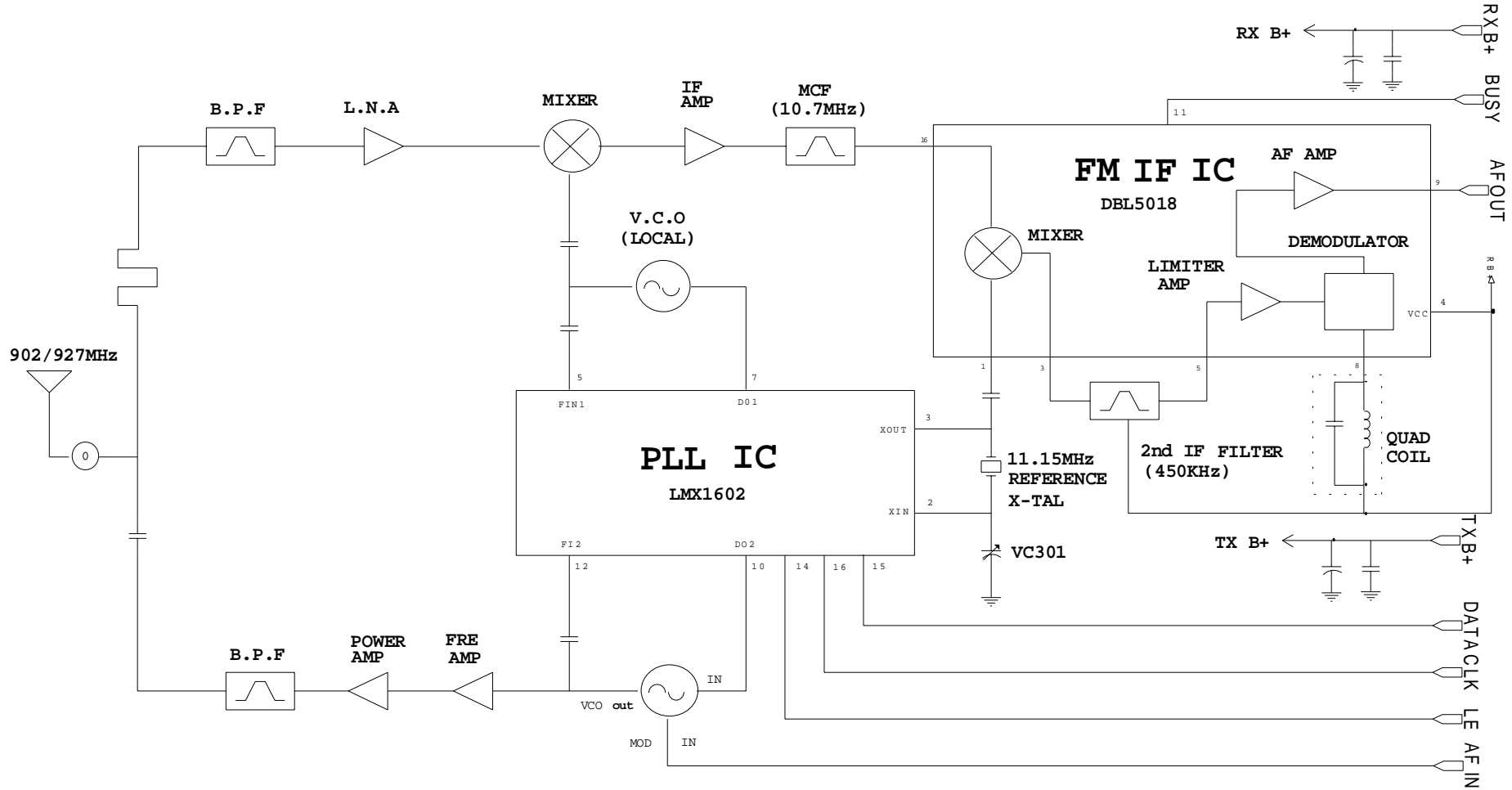
SMOOTHLINE LTD.		
Title MH-9003		
Size	Document Number	Rev
A3	BASE MAIN BLOCK DIAGRAM	1
Date	Tuesday, December 01 1998	Sheet 4 of 4

PORTABLE MAIN BLOCK DIAGRAM



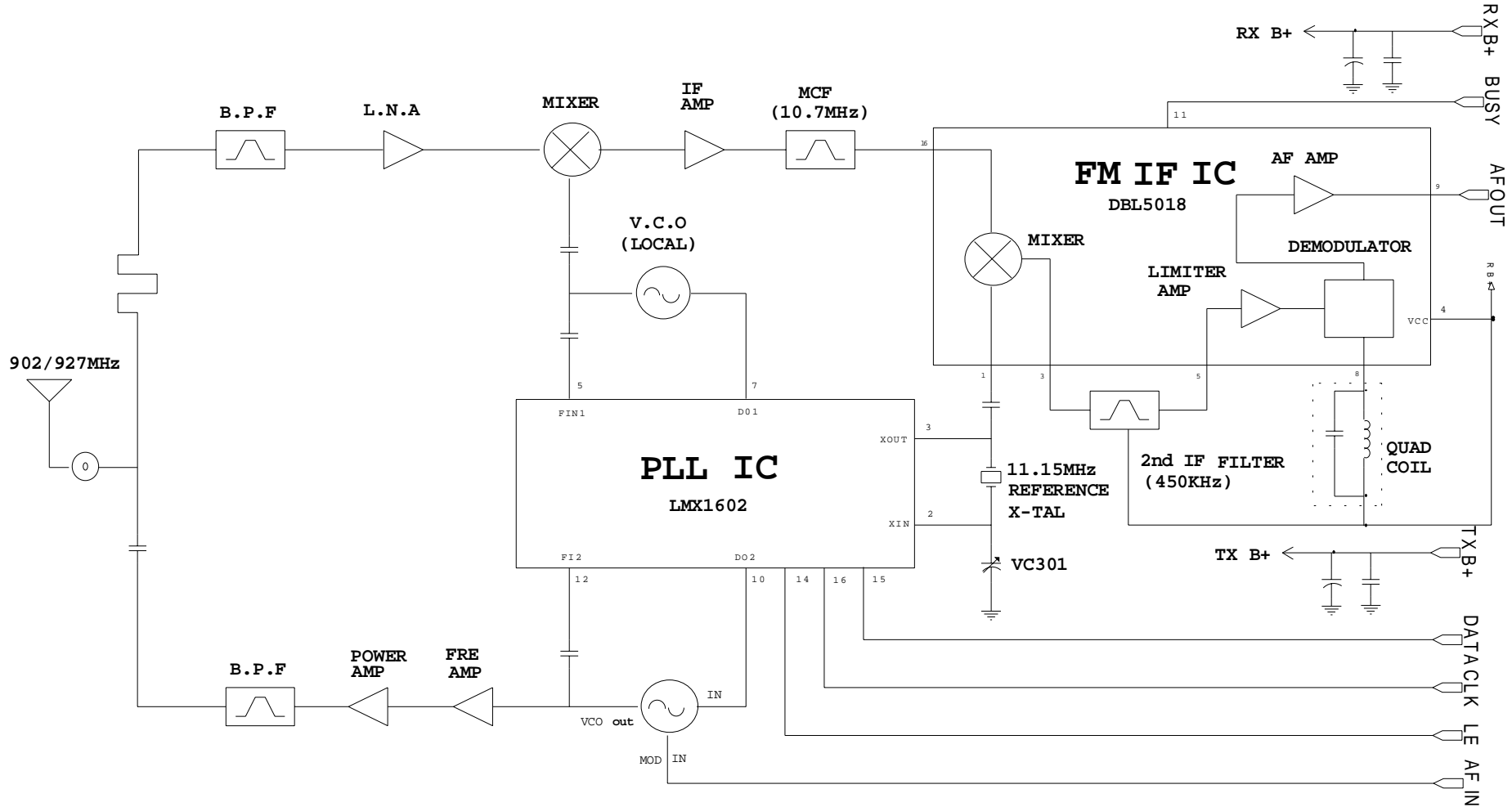
SMOOTHLINE LTD.			
File		MH-9003	
Size	Document Number		Rev
A3	PORTABLE MAIN BLOCK DIAGRAM		A
Date	Tuesday, December 01 1998	Sheet	1 of 4

BASE RF BLOCK DIAGRAM



SMOOTHLINE LTD.			
Title			
MH-9003			
Size	Document Number	Rev	
A3	BASE RF BLOCK DIAGRAM		
Date	Saturday, November 07, 1998 1 of 1		

PORT RF BLOCK DIAGRAM



SMOOTHLINE LTD.			
Title		MH-9003	
Size	Document Number	Rev	
A3	PORT RF BLOCK DIAGRAM		
Date	Saturday, November 06, 1998		
	of 1		