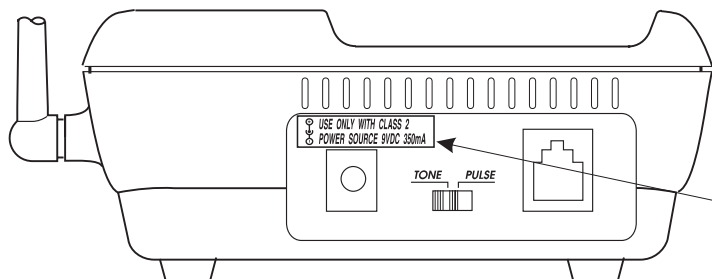


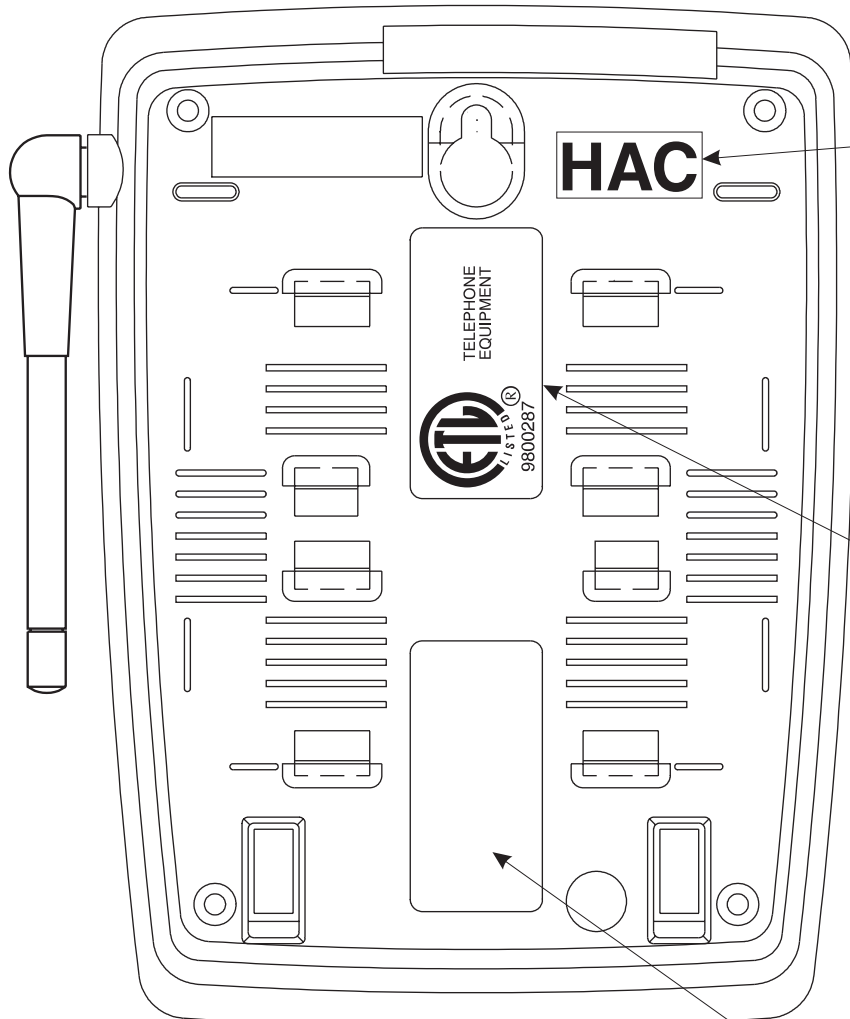
MODEL : MH9003

# LABELLING INFORMATION FOR MODEL MH9003 SERIES



USE ONLY WITH CLASS 2  
POWER SOURCE 9VDC 350mA

PRINTED ON LABEL



ENGRAVED ON CABINET



TELEPHONE  
EQUIPMENT

ENGRAVED ON CABINET

**BELLSOUTH** MODEL NO. : MH9003  
FCC ID : NQL9870

COMPLIES WITH PART 68 FCC RULES.  
FCC REGISTRATION NO.: XXXXXX-XXXX-XX-X  
RINGER EQUIVALENCE NO.: 1.0B  
CONNECT TO: RJ11C

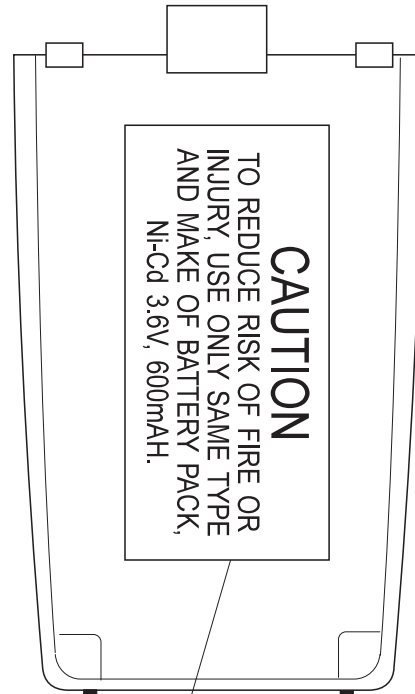
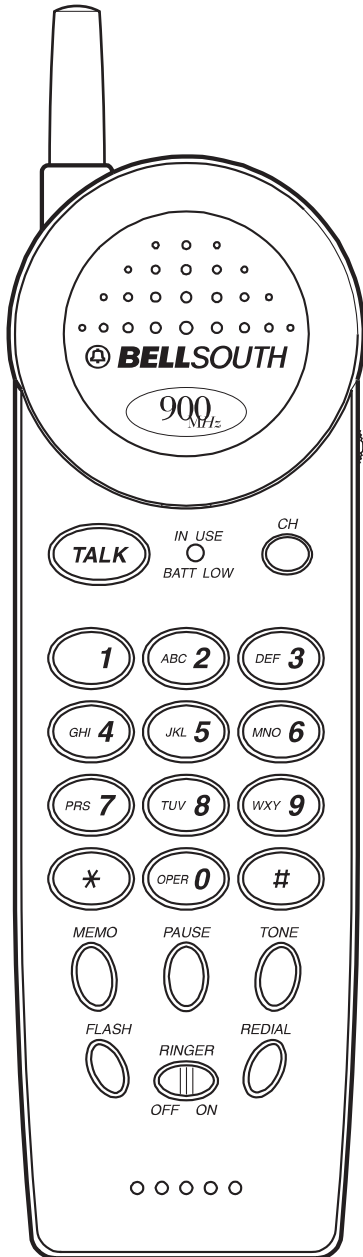
THIS DEVICE COMPLIES WITH PART 15 OF THE FCC RULES. OPERATION IS SUBJECT TO THE FOLLOWING TWO CONDITIONS: (1) THIS DEVICE MAY NOT CAUSE HARMFUL INTERFERENCE, AND (2) THIS DEVICE MUST ACCEPT ANY INTERFERENCE RECEIVED, INCLUDING INTERFERENCE THAT MAY CAUSE UNDESIRABLE OPERATION.

PRIVACY OF COMMUNICATIONS MAY NOT BE ENSURED WHEN USING THIS PHONE.

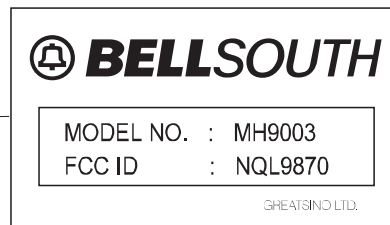
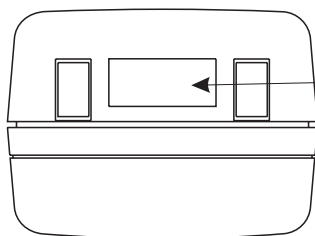
© 1998 BELL SOUTH TELEPHONE COMPANY

PRINTED ON THE LABEL

# LABELLING INFORMATION FOR MODEL MH9003 SERIES



PRINTED ON THE LABEL



PRINTED ON THE LABEL