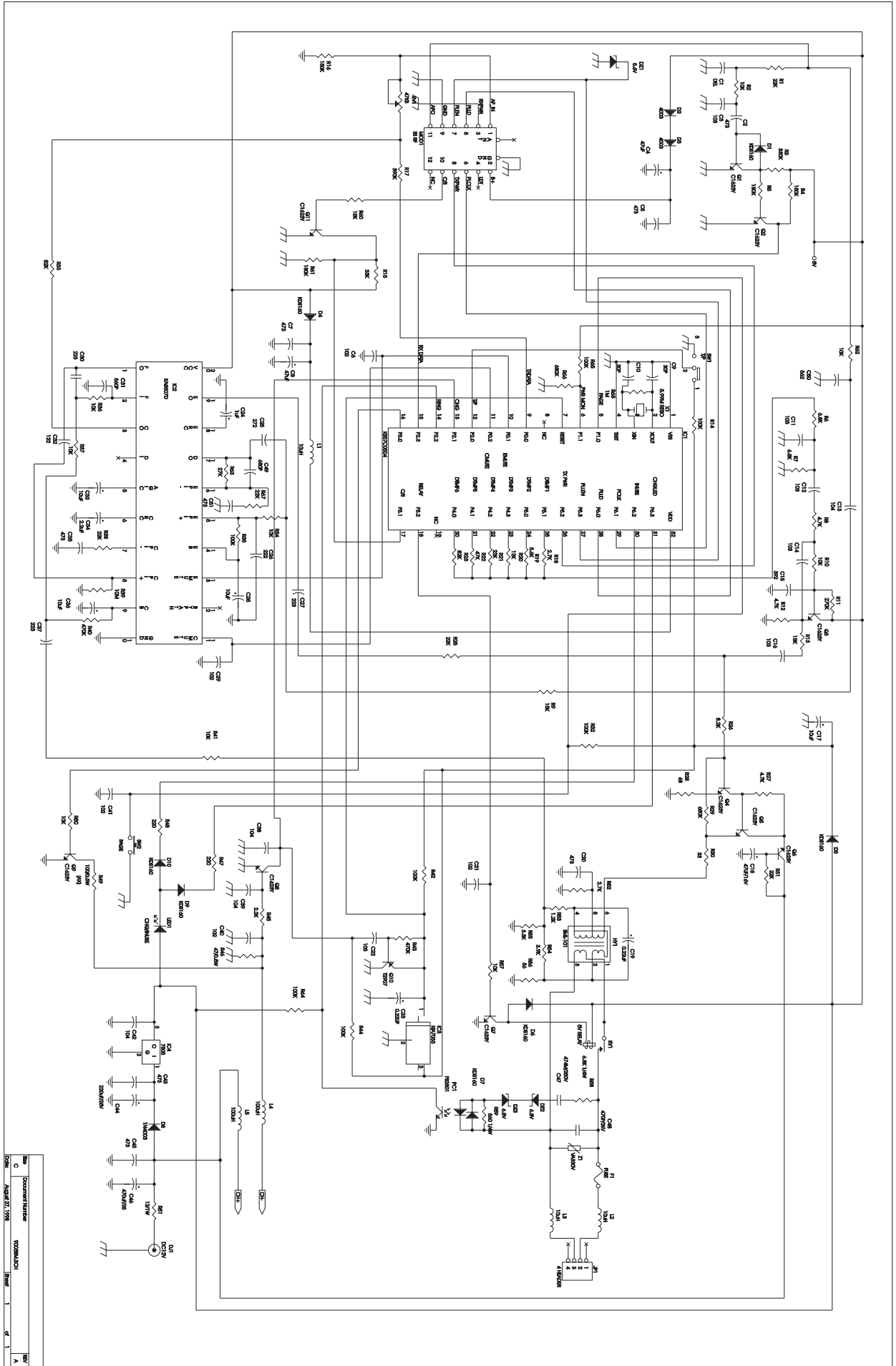
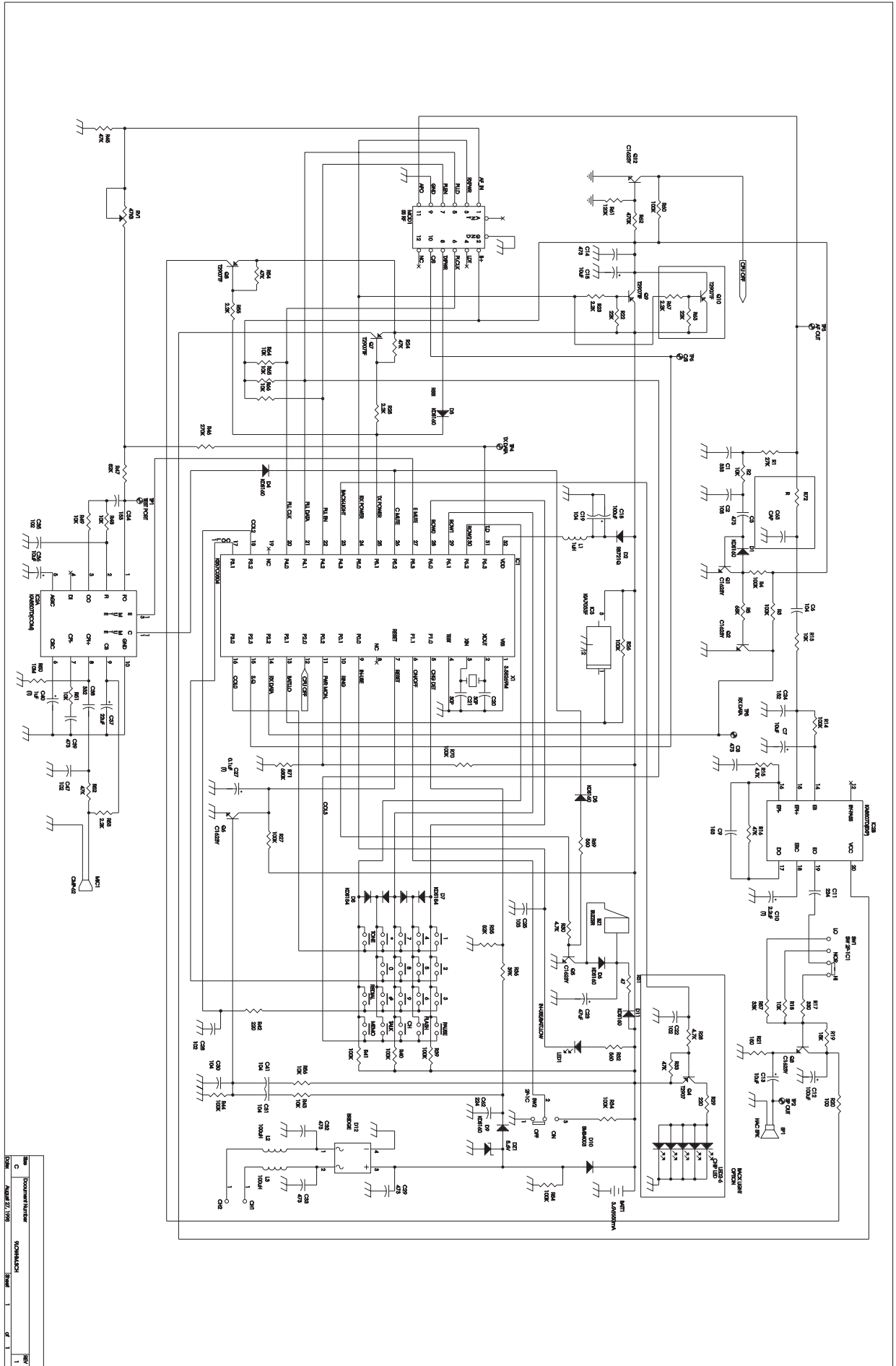


# MH9003 Base unit Block Diagram



|        |            |            |            |
|--------|------------|------------|------------|
| Rev    | 1          | 1          | 1          |
| Doc    | 1000000000 | 1000000000 | 1000000000 |
| Author | 1000000000 | 1000000000 | 1000000000 |
| Check  | 1000000000 | 1000000000 | 1000000000 |

# MH9003 Base unit Block Diagram



| REV | DESCRIPTION | DATE       |
|-----|-------------|------------|
| 01  | INITIAL     | 1988-01-01 |
| 02  | REVISION    | 1988-01-01 |
| 03  | REVISION    | 1988-01-01 |
| 04  | REVISION    | 1988-01-01 |
| 05  | REVISION    | 1988-01-01 |
| 06  | REVISION    | 1988-01-01 |
| 07  | REVISION    | 1988-01-01 |
| 08  | REVISION    | 1988-01-01 |
| 09  | REVISION    | 1988-01-01 |
| 10  | REVISION    | 1988-01-01 |
| 11  | REVISION    | 1988-01-01 |
| 12  | REVISION    | 1988-01-01 |
| 13  | REVISION    | 1988-01-01 |
| 14  | REVISION    | 1988-01-01 |
| 15  | REVISION    | 1988-01-01 |
| 16  | REVISION    | 1988-01-01 |
| 17  | REVISION    | 1988-01-01 |
| 18  | REVISION    | 1988-01-01 |
| 19  | REVISION    | 1988-01-01 |
| 20  | REVISION    | 1988-01-01 |