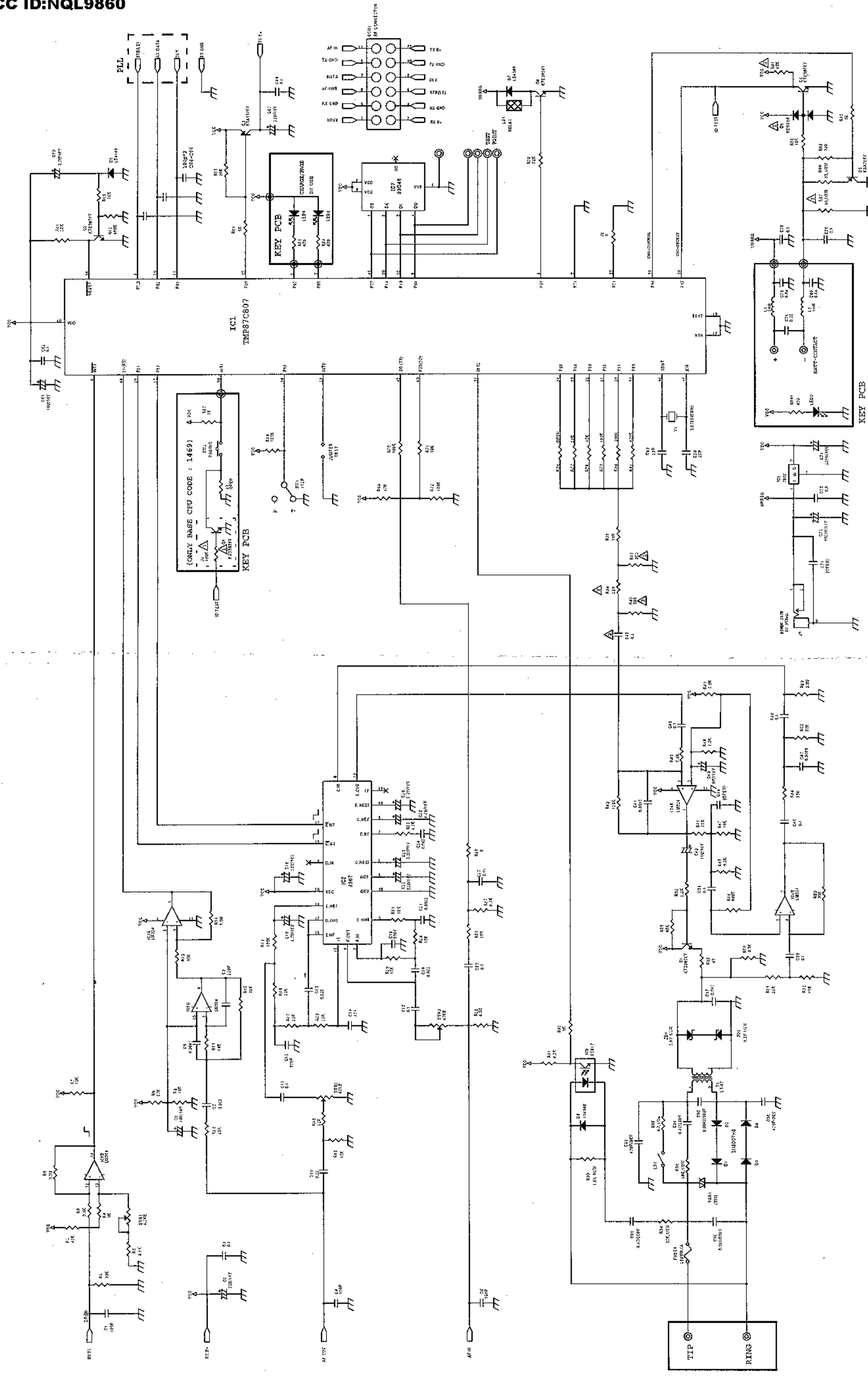
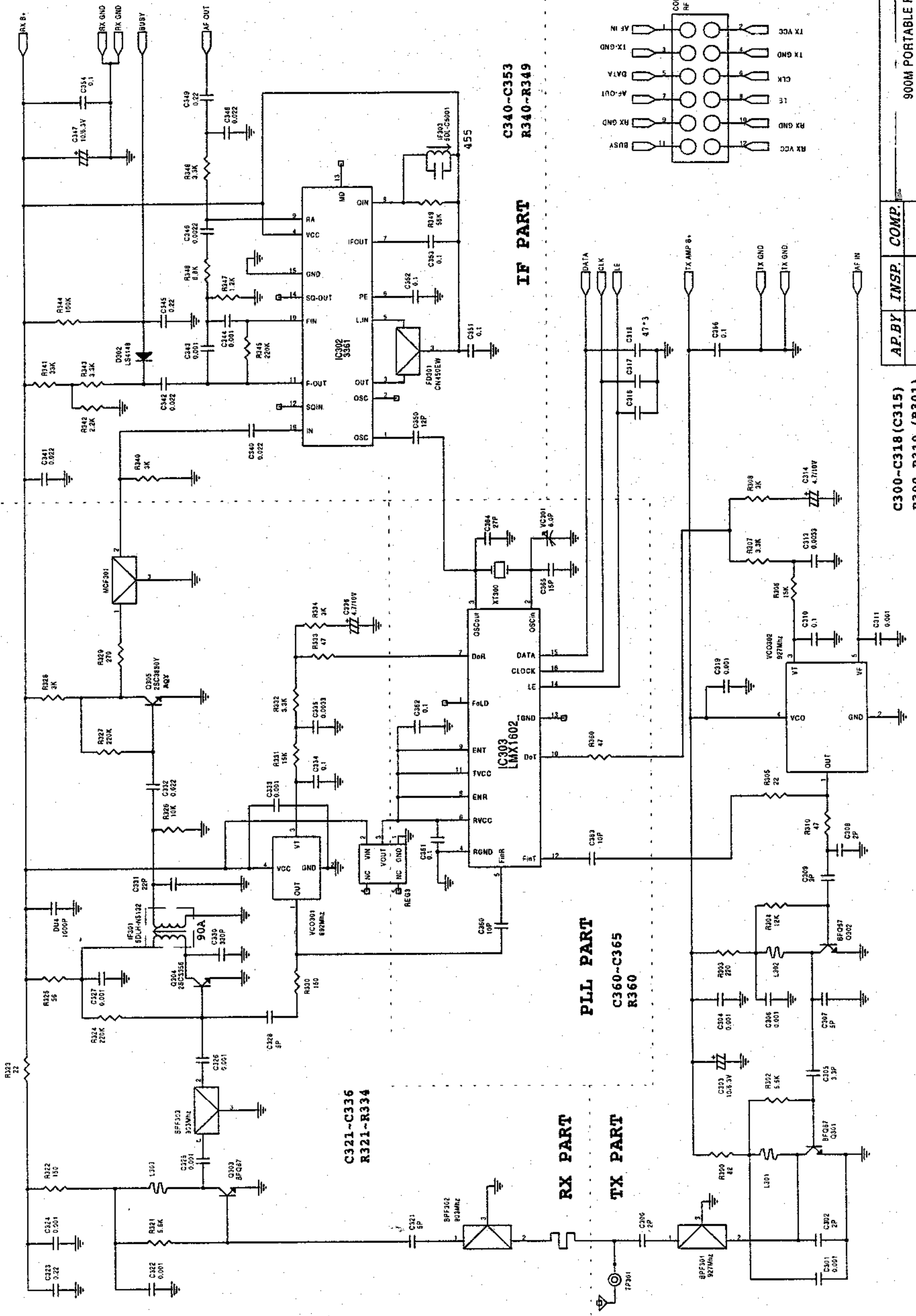


AP.BY	INSP.	COMP.	Rev	1
			Document Number	1602 BASE RF
			File	900M BASE RF CIRCUIT
			Sheet	1 of 1
			Date	THURSDAY, AUGUST 20, 1998



DEMAN. CHECKED. APPROVAL. GREATSINO LTD. BASE UNIT MAIN CIRCUIT 1900 Series

KEY PCB



IF PART

PLL PART

RX PART

TX PART

AP.BY	INSP.	COMP.
900M PORTABLE RF CIRCUIT		
Docu	Number	REV
LMX1602 PLL PRF		1
DATE	DESIGNED	BY
August 20, 1993		Sheep

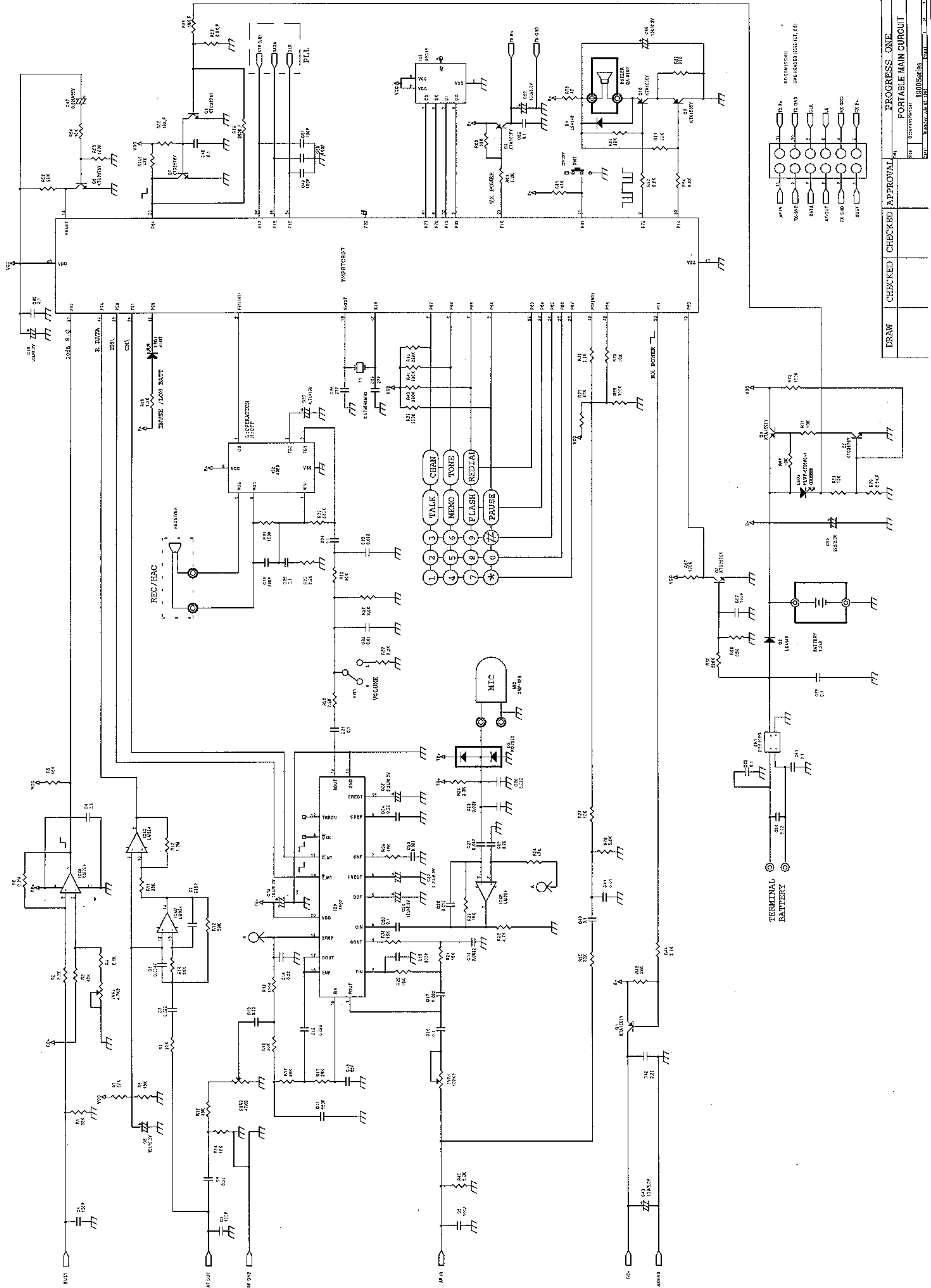
C300-C318 (C315)
R300-R310 (R301)

C340-C353
R340-R349

C321-C336
R321-R334

C360-C365
R360

SIZE 17x22 21.7



DRAW	CHECKED	CHECKED	APPROVAL
			PROGRESS ONE
			PORTABLE MAIN CIRCUIT
			1900Series
			DATE
			BY

