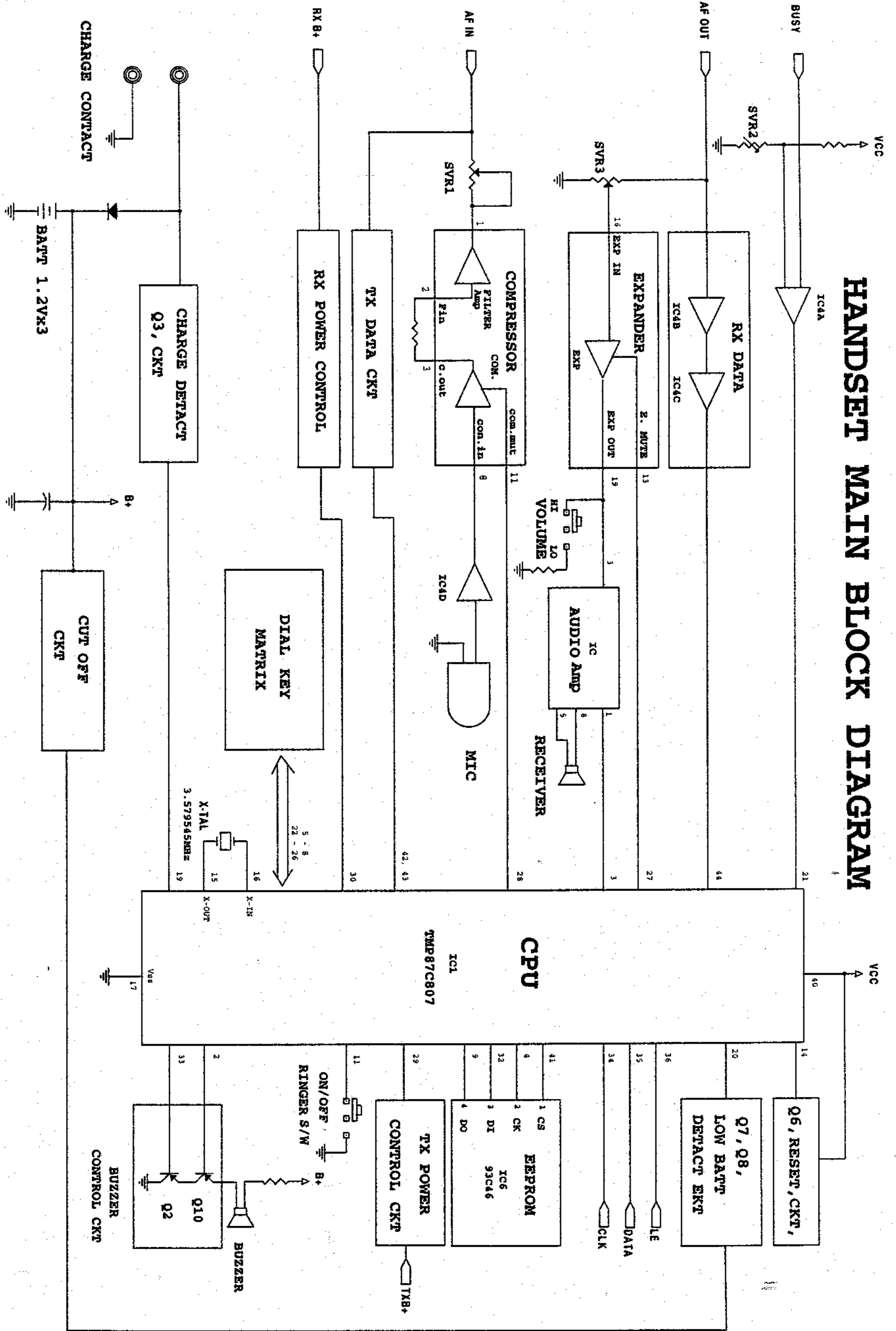
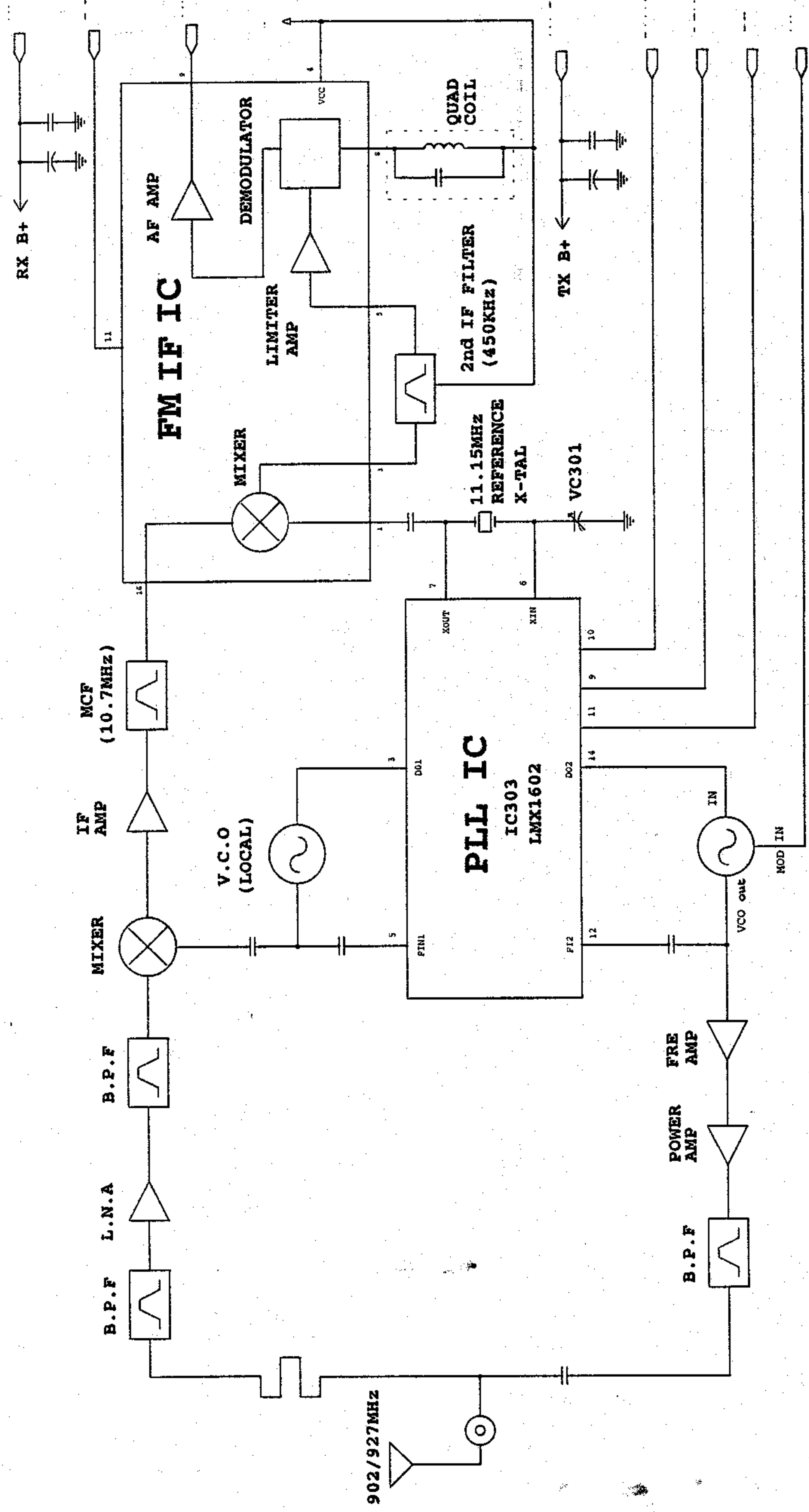


HANDSET MAIN BLOCK DIAGRAM



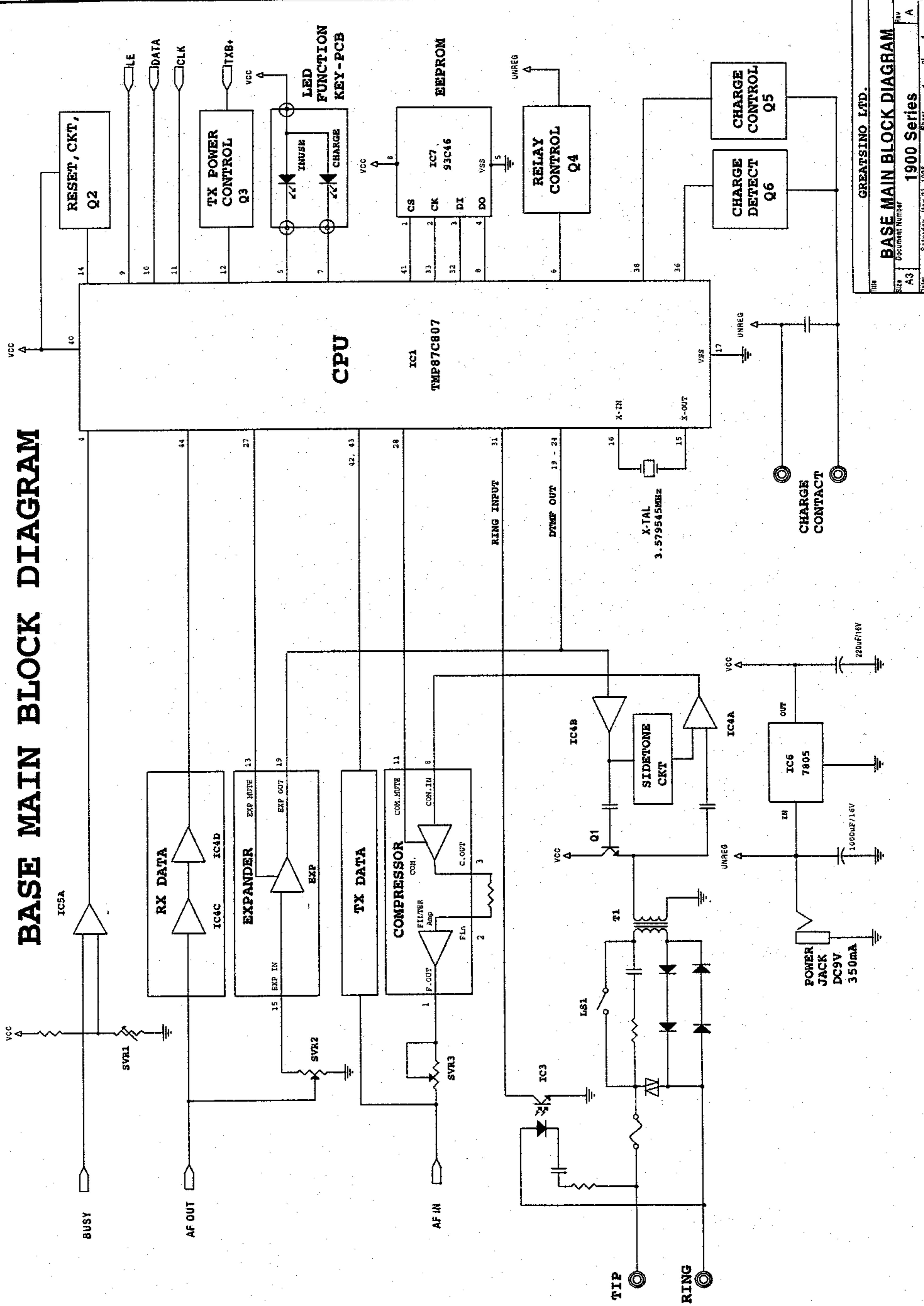
File	HANDSET MAIN BLOCK DIAGRAM		
Size	Document Number	1900 Series	Rev
A5			A
DATE	SHENZHEN, MAY 23 1991	BY	

RF BLOCK DIAGRAM



LMX1602 RF
RF BLOCK DIAGRAM

BASE MAIN BLOCK DIAGRAM



FILE: A3
 Size: A3
 Document Number: 1900 Series
 Date: Saturday, May 23, 1998
 Sheet: 1 of 1
 GREATSINO LTD.
BASE MAIN BLOCK DIAGRAM
 1900 Series