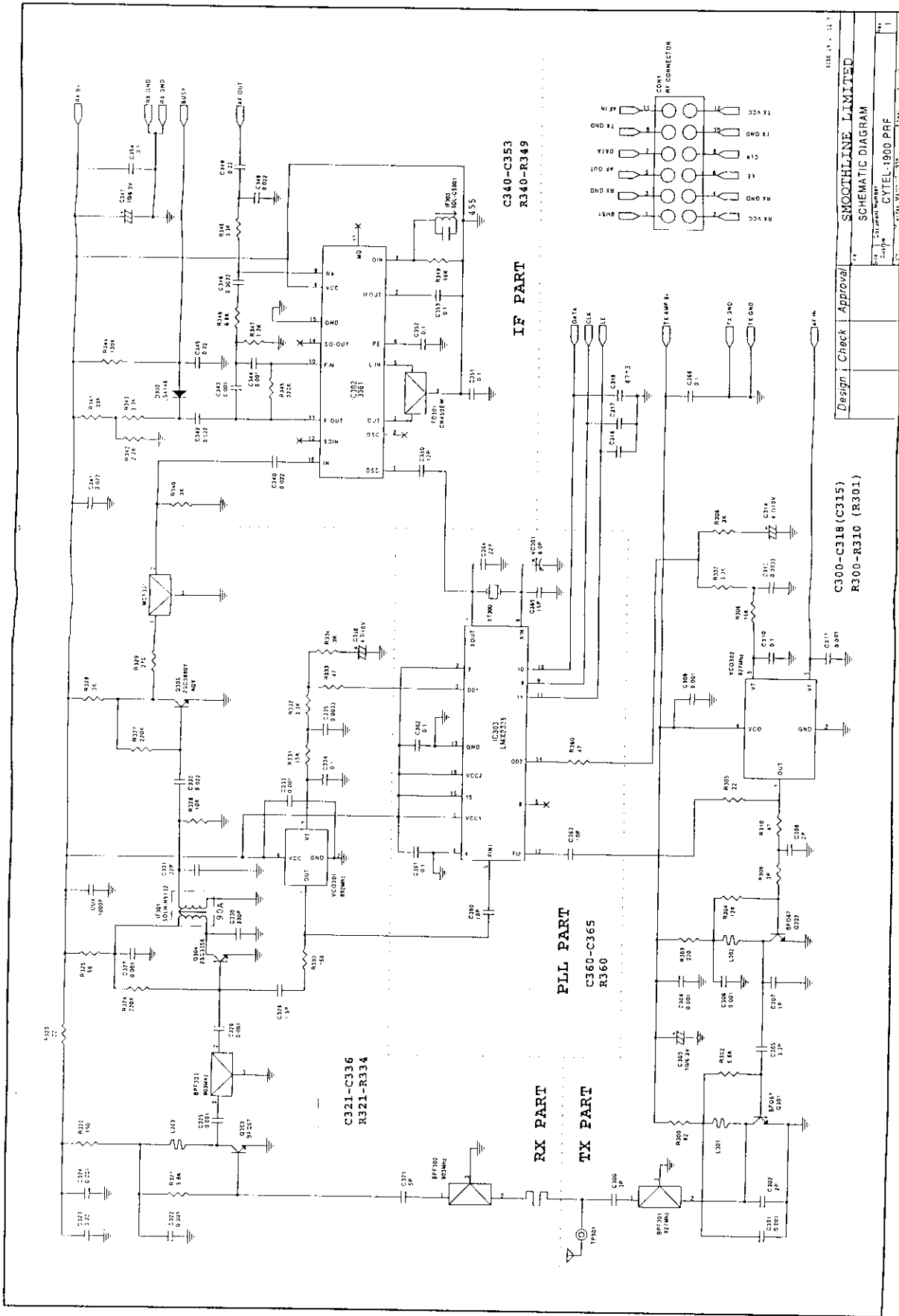
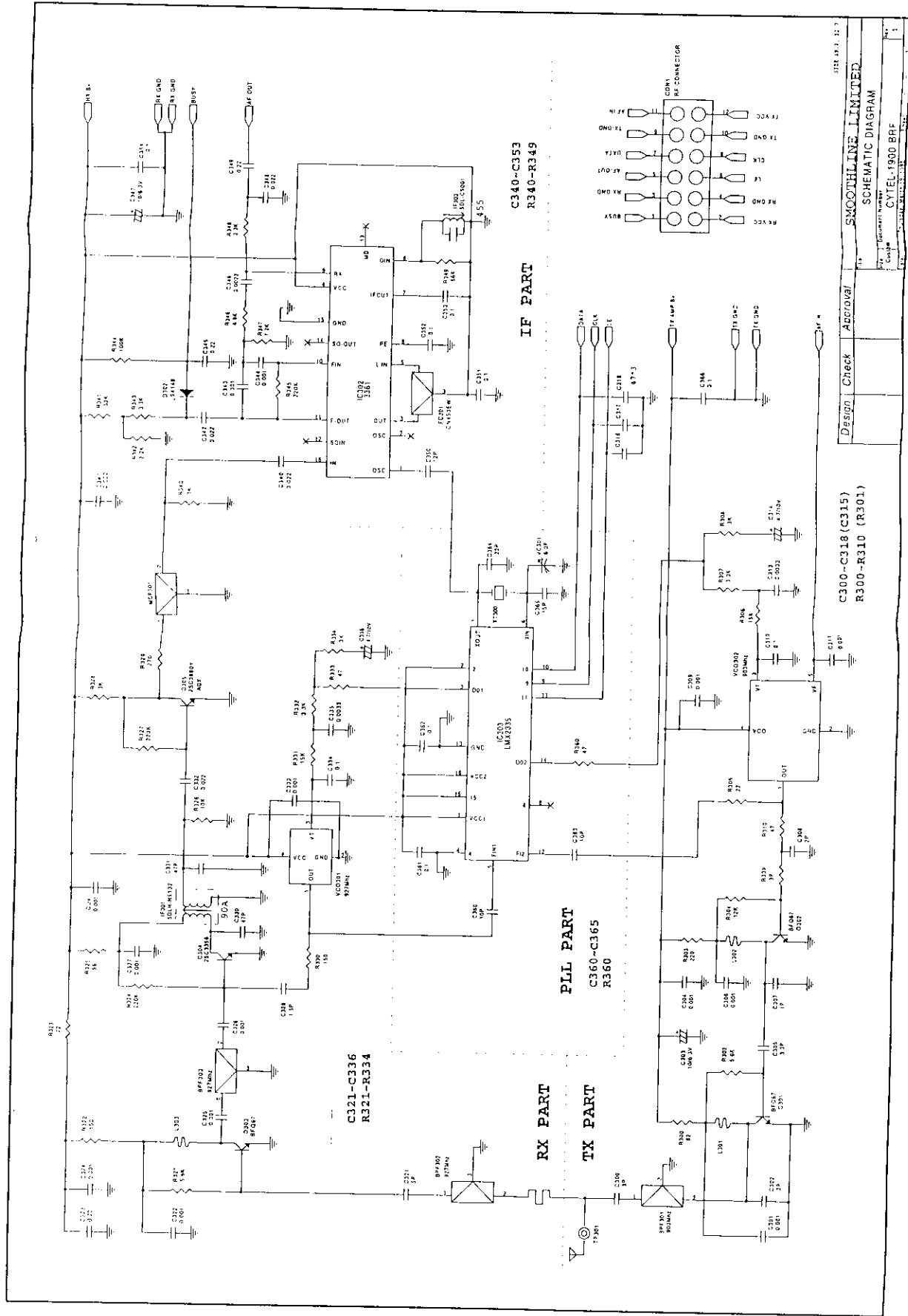


## INTERTEK TESTING SERVICES

---

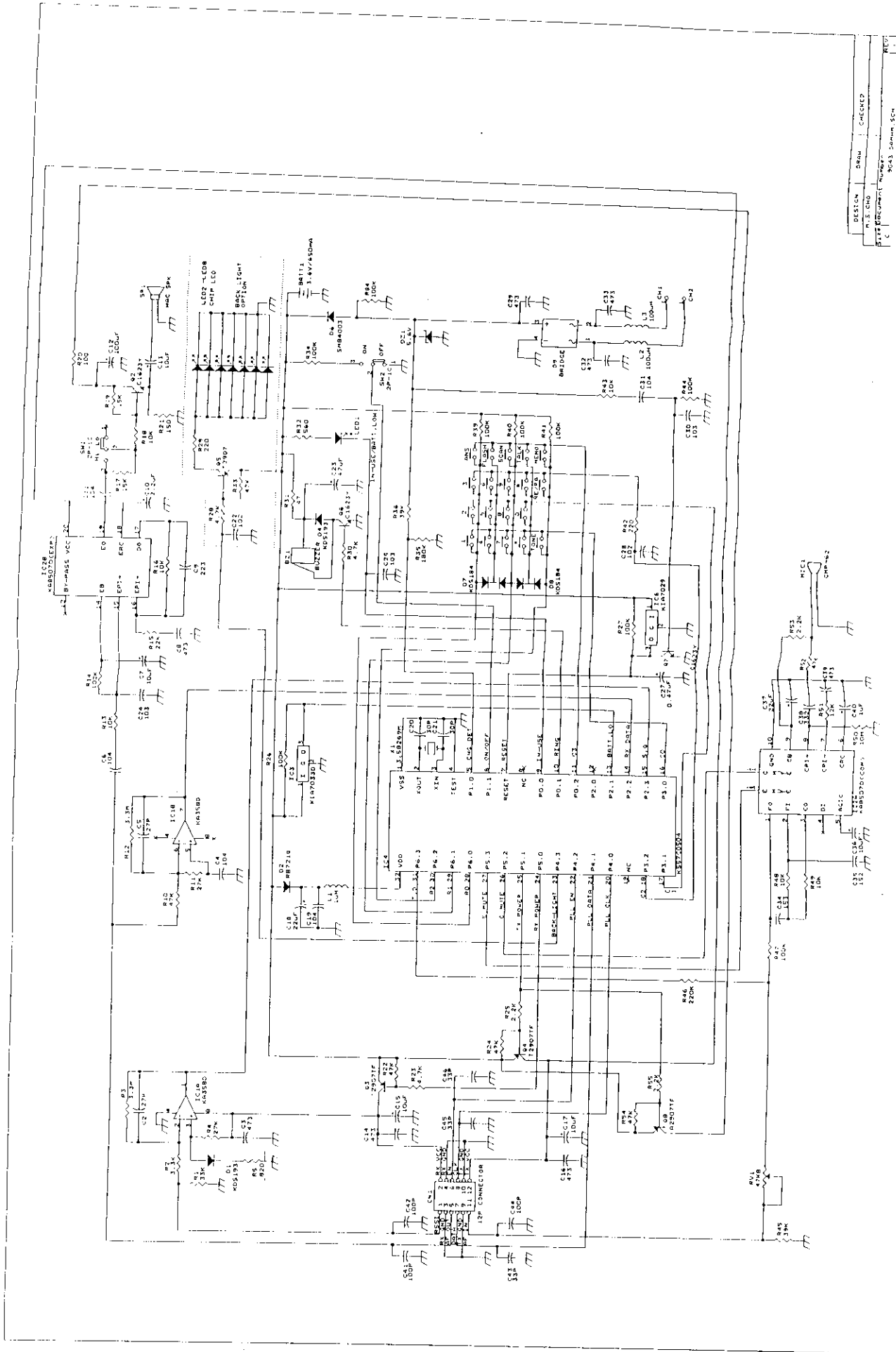
Figure 6.2 Cordless Telephone Circuit Diagram



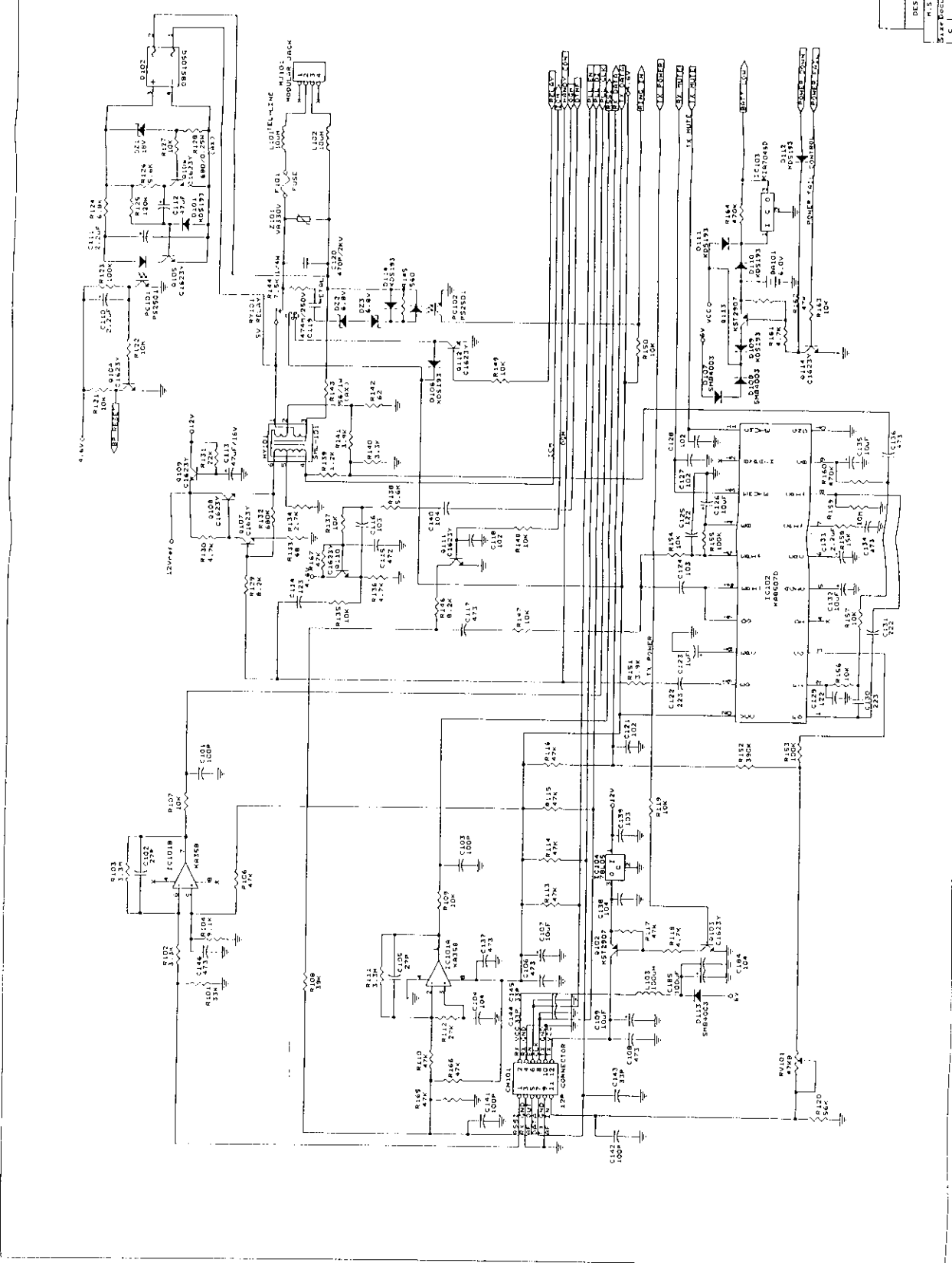


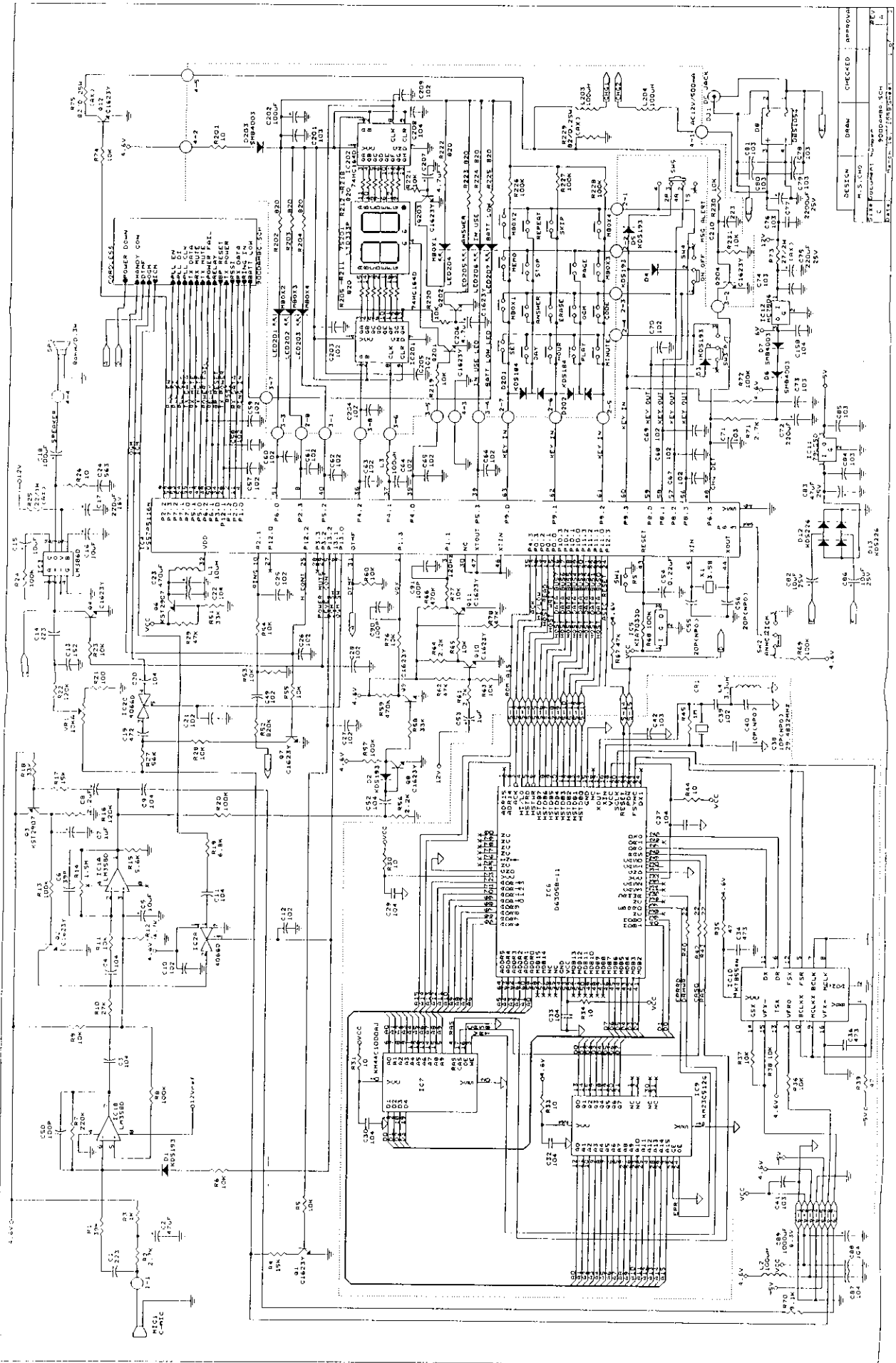
Design	Check	Approval	DATE

SMOOTHLINE LIMITED  
 SCHEMATIC DIAGRAM  
 Part No. SMD-1900 BRF  
 Date: 11/10/90



DESIGN	DRN	CHECKED
M.S. CHO		
CIRCUIT DOCUMENT NUMBER		
		9043 50mm 5CM





DESIGN	DATE	APPROVAL
REVISION	DATE	APPROVAL
TESTED	DATE	APPROVAL
ASSEMBLED	DATE	APPROVAL
DOCUMENT NUMBER	DATE	APPROVAL
REV	DATE	APPROVAL