

EXHIBIT 6
TECHNICAL SPECIFICATIONS

INTERTEK TESTING SERVICES

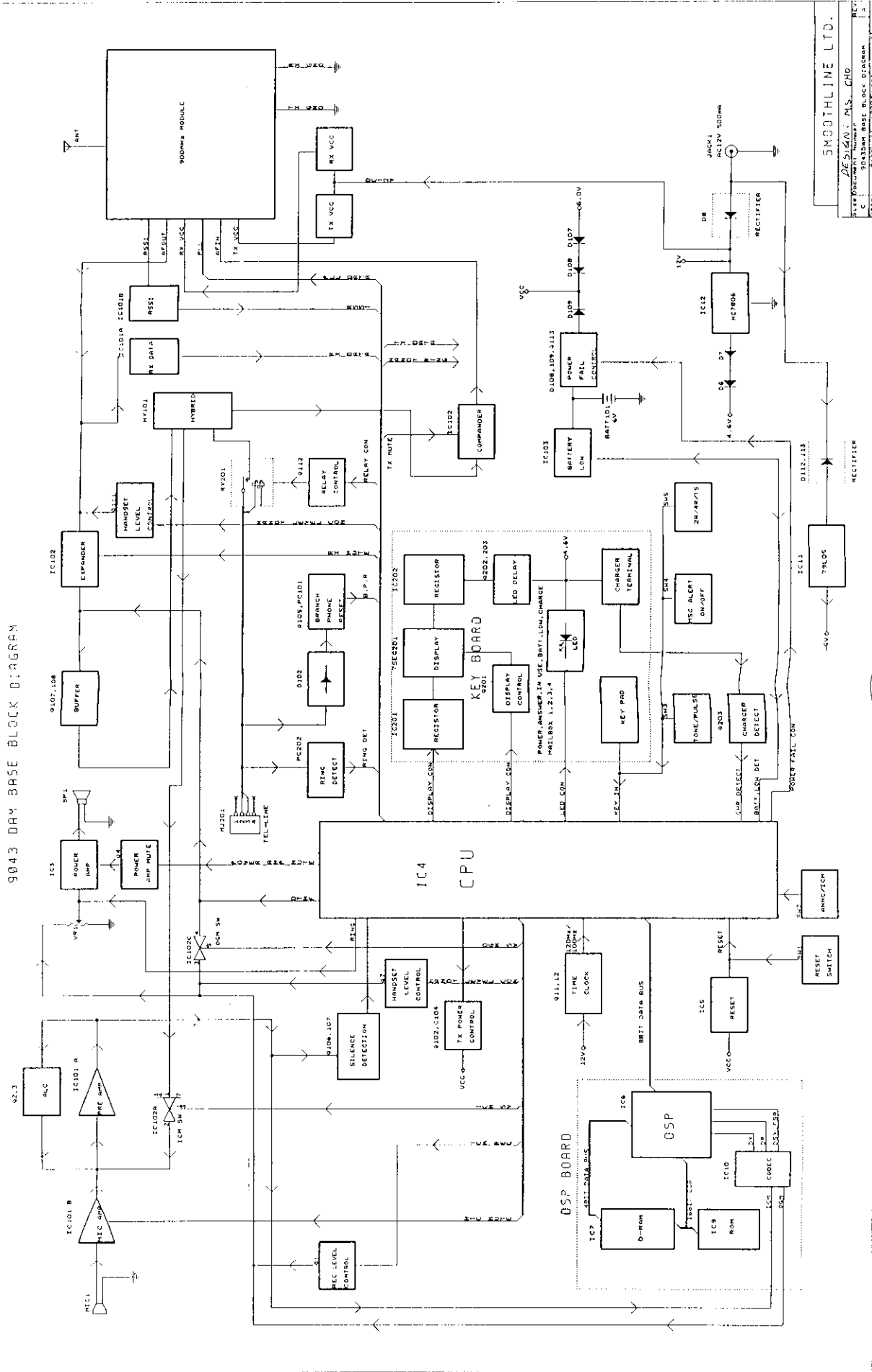
6.0 Technical Specifications

The block diagram and circuit diagram are attached in Exhibits 6.1 and 6.2 respectively.

INTERTEK TESTING SERVICES

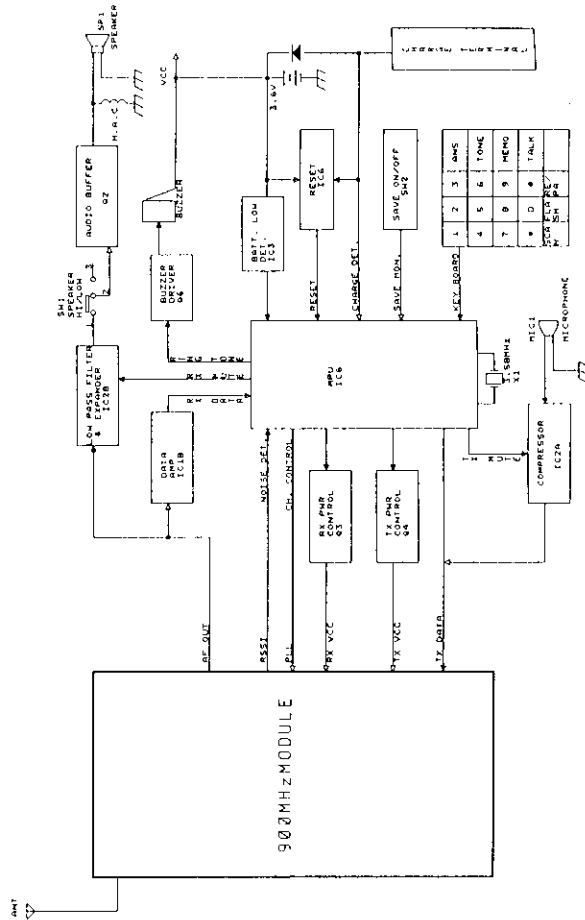
Figure 6.1 Cordless Telephone Block Diagram

9043 DAY BASE BLOCK DIAGRAM



SMOOTHLINE LTD.
 DE SIGN. MS. CHO
 REV. 1.0
 DATE: 11/13/83

9043 DRY HANDY BLOCK DIAGRAM



SMOOTHLINE LTD.	
DESIGN	DRAW : CHECKED APPROVED
M.S. CHD	
REVISION	
NO. 1 900MHz DRY HANDY BLOCK DIAGRAM	