

Exhibit 8: User's Manual

Installation Manual

Declaration of Compliance

The following declaration applies to World Wireless Communications Corp NQE1005 TIM spread spectrum transmitter.

This device complies with part 15 of the FCC Rules. Operation is subject to the following two conditions: (1) This device may not cause harmful interference, and (2) this device must accept any interference received, including interference that may cause undesired operation.

Caution to the user:

Changes or modifications not expressly approved by World Wireless could void the authority to operate this equipment.

The responsible party for this declaration is:

World Wireless Communications Corp
150 Wright Brothers Drive / Suite 560
Salt Lake City, Utah 84116
Phone: (801) 575-6600

Installation Instructions

The NQE1005 will be installed by professionals with special tools for removing and installing meter faces equipped with pickup sensors. The NEQ1005 is designed as a sealed unit with internal batteries and antennas, to insure the installed unit will comply with FCC rules, and will only be sold to OEMs and Utilities with trained staff.

Note to Installers:

Must not install this equipment in locations that could cause RF exposure to persons where the distance is less than 20 centimeters.

Hardware Requirements

Antennas:

Built in: no connection required

Power Supply:

The NQE1005 Transmitter is a sealed unit with internal lithium 3.6-volt batteries. Designed for 10-year service under normal conditions. No maintenance required.

To insure battery freshness connection to internal circuitry is made by external jumper as shown in figure 2.

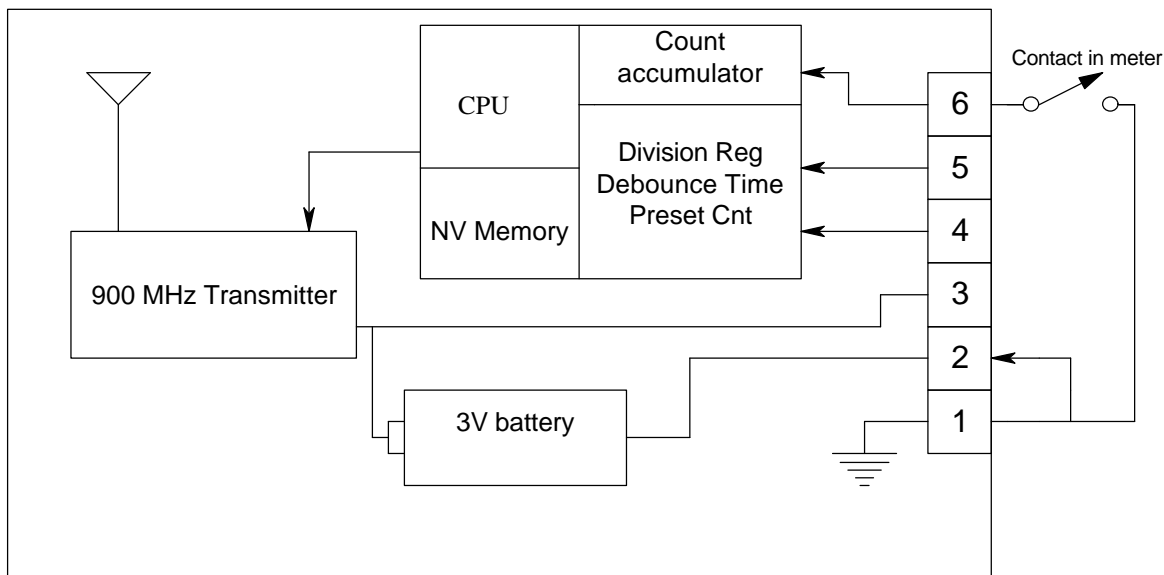


Figure: 2

Procedure

The NEQ1005 TIM Transmitter must first be programmed from a computer using World Wireless provided software, and the programming harness, which connects the Tim to the parallel printer port.

This software sets three parameters and causes them to be stored in nonvolatile memory

- A) Unit address.
- B) Contact debounce time
- C) Preset count.

The installation of the NQE1005 TIM Transmitter requires a plug connection to an appropriate gas meter (or other appliance with a dry switch contact), that closes for each metered event. This connector provides power to the unit by connecting pin 1&2 through the wiring harness. The same connector and harness provides interface to the meter contacts.

This completes the setup and installation of the NEQ1005 TIM Transmitter.