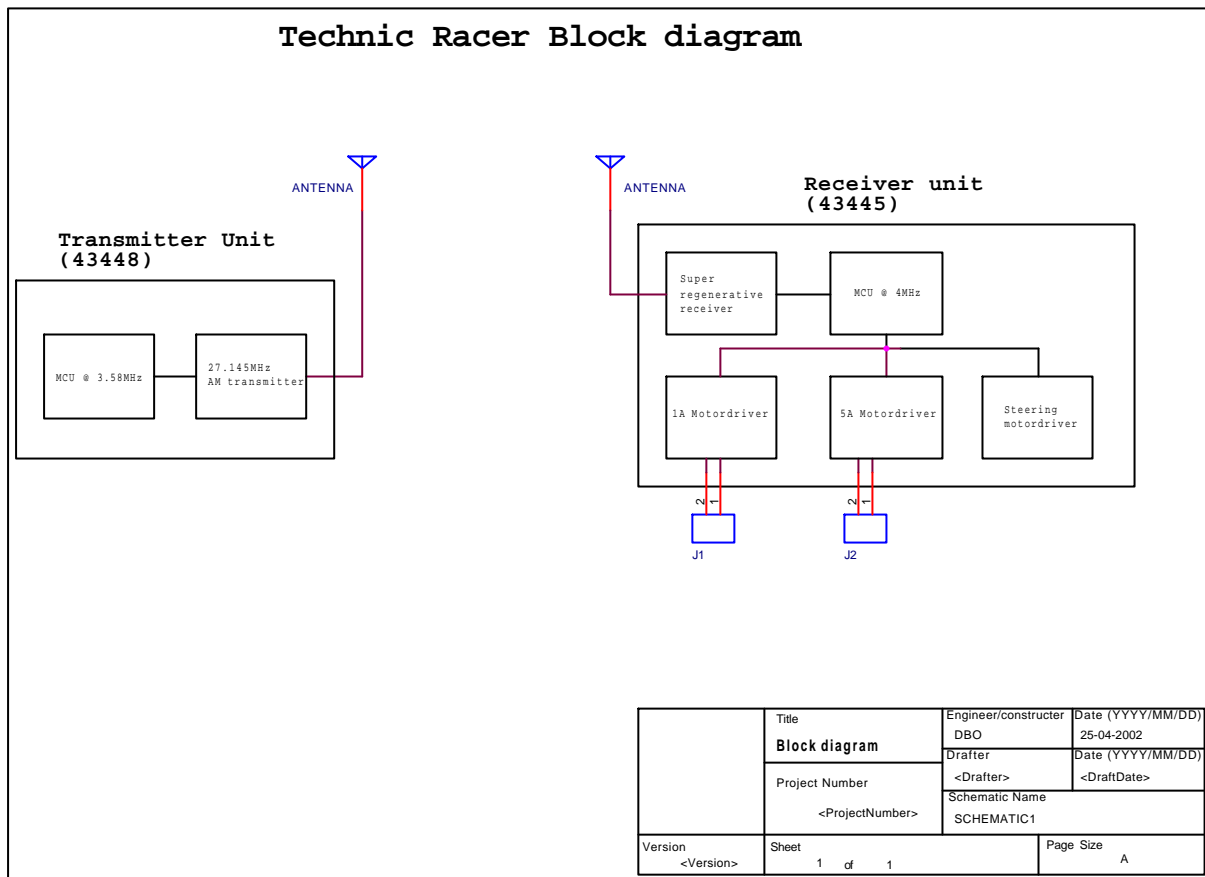


## Technic Racer Block diagram:



The picture above shows the block diagram of the Technic Racer.

### Transmitter Unit:

The transmitter unit is operating on a 9V battery. The modulated data is sent to the 27.145 MHz AM transmitter.

The transmitter have two control handles (forward/reverse and left/right). Beside it also have a on/off control for the 1A motordriver.

### Receiver Unit:

The receiver unit is operating on 6xAA batteries (9V). The received data from the super regenerative receiver is sent to the MCU. The MCU then controls the 3 different motors. The steering motordriver is the same as the 1A motordriver. The two small motordrivers is integrated motordrivers with thermal and overcurrent protection and the 5A driver is a discrete H-bridge with overcurrent protection.