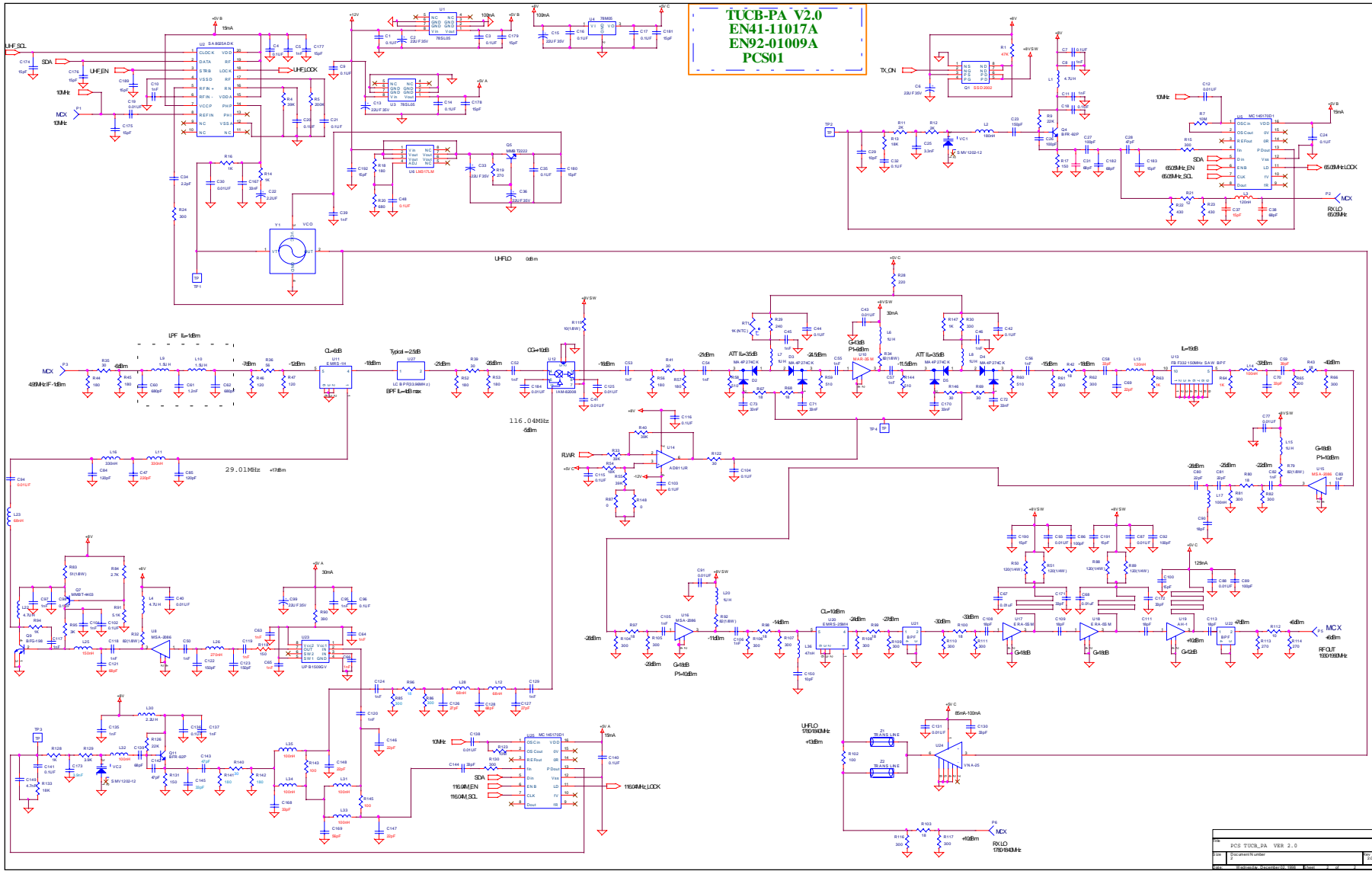
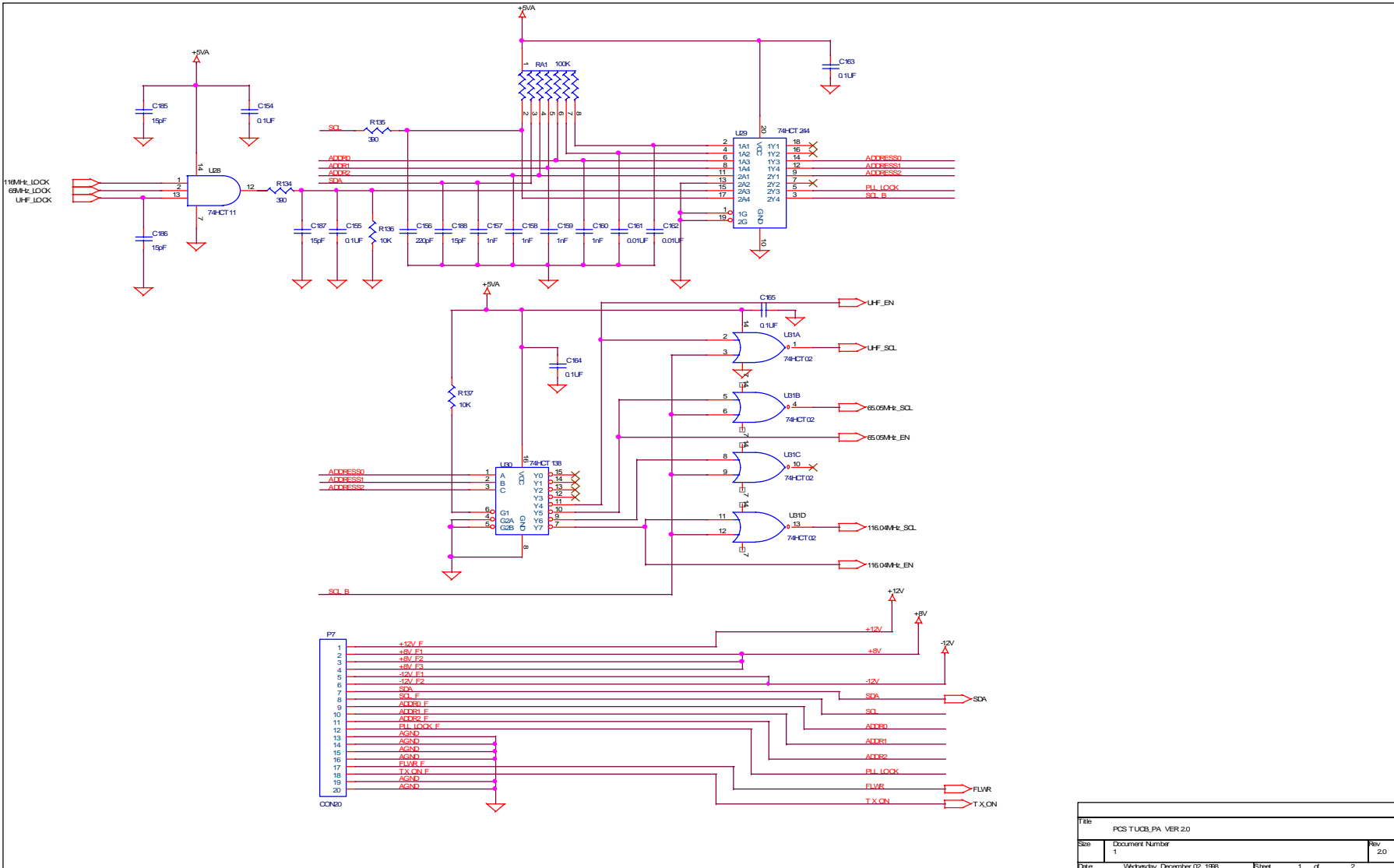


**TUCB-PA V2.0**  
**EN41-11017A**  
**EN92-01009A**  
**PCS01**



REV	PCS TUCB_PA_V2.0	1
DATE	2010-11-11	1
DESIGNER		
CHECKER		
DATE		
DESIGNER		
CHECKER		
DATE		
DESIGNER		
CHECKER		
DATE		



File	PCS T UCB_PA VER 2.0	
Size	Document Number	Rev
1		2.0
Date	Wednesday, December 02, 1998	Sheet 1 of 2