

CIRCUIT DESCRIPTION

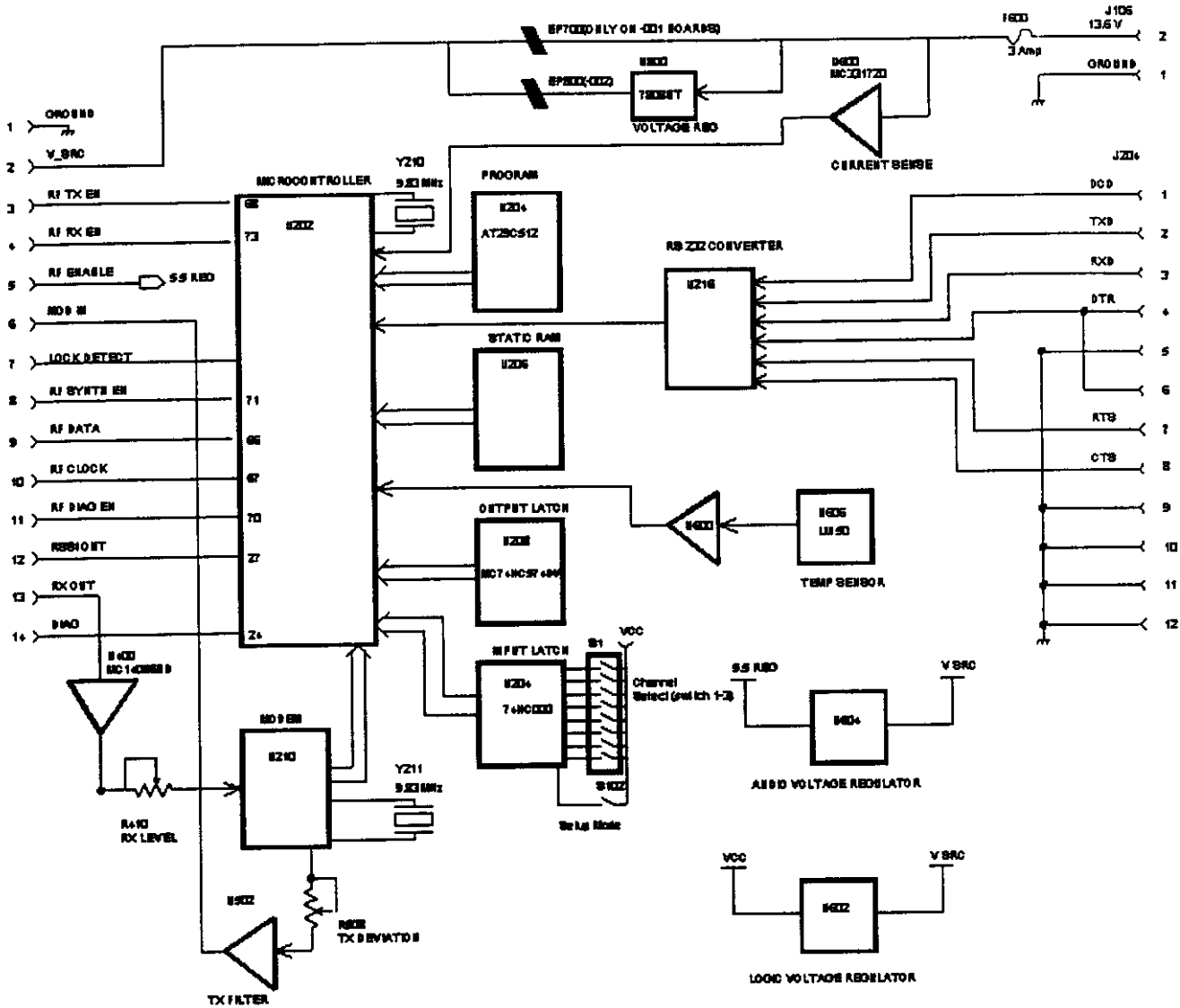
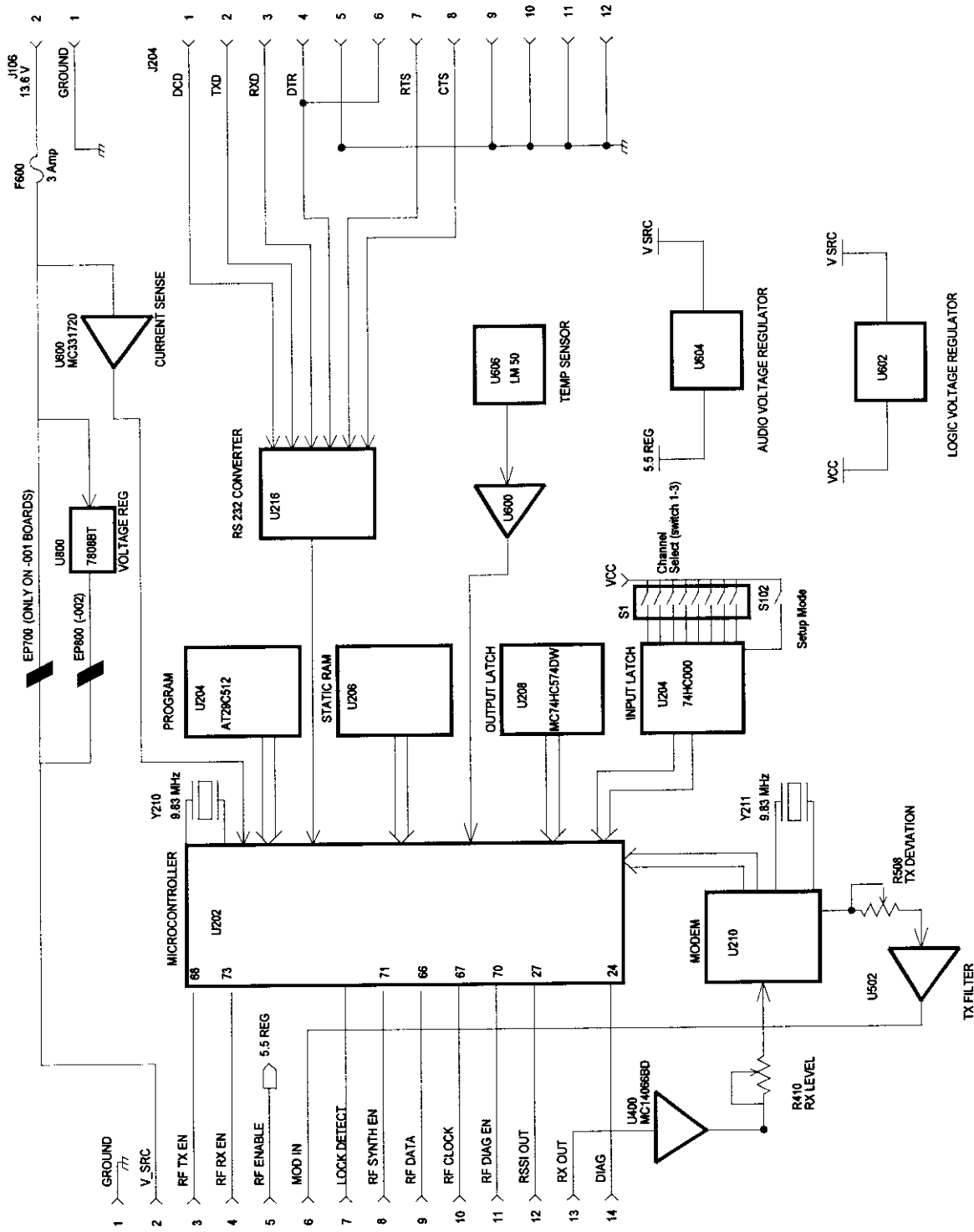


Figure 5-1 3286 Modem Board Functional Block Diagram



DL-3286 MODEM BLOCK DIAGRAM